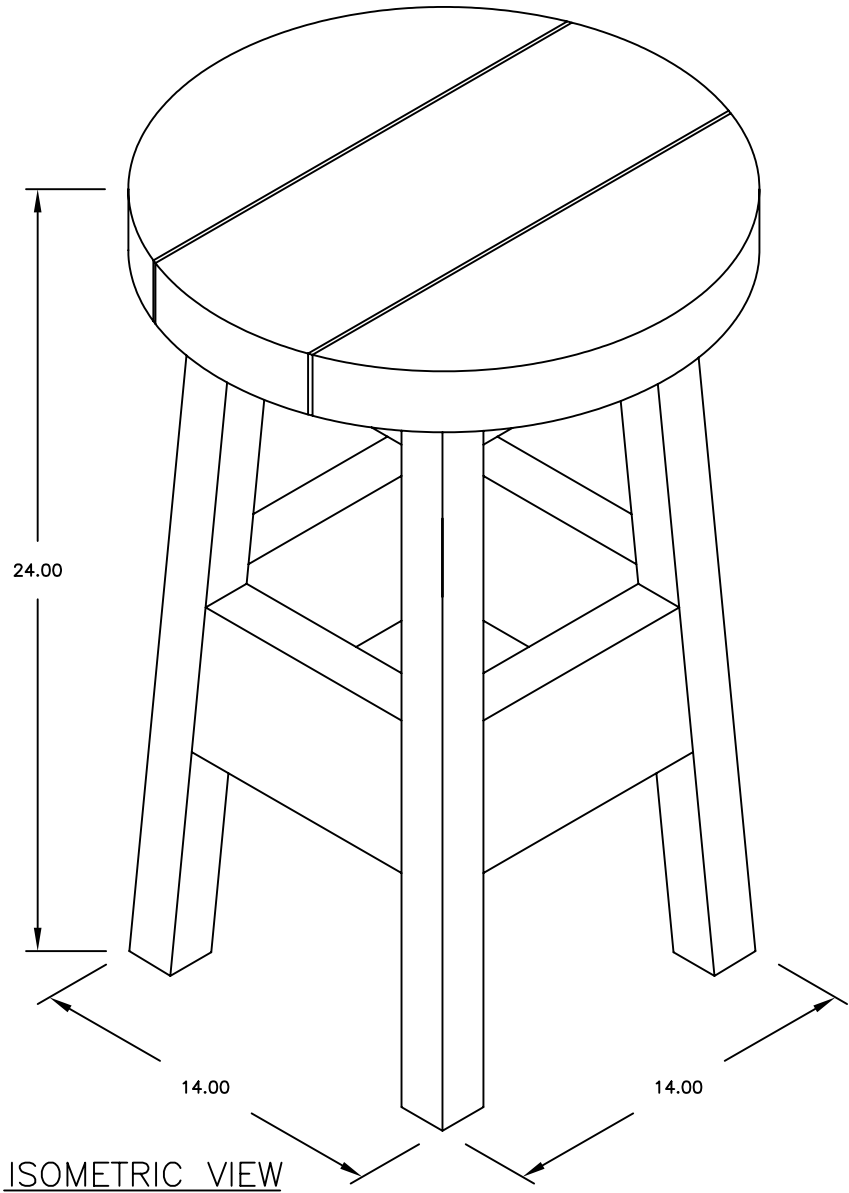


LINE:	GAZEBO LINE
MODEL:	BAR STOOL
NUM.:	



NOTE:  
 DUE TO OUR CONTINUOUS IMPROVEMENT PROGRAM, ALL MODELS  
 AND SPECIFICATIONS ARE SUBJECT TO CHANGE WITHOUT NOTICE.

		A DIVISION OF  1-800-CALSPAS www.calspas.com	
TITLE: 2011 GAZEBO LINE CAL METRO COLLECTION BAR STOOL			
DWG NO.: WOOD957		DWG BY: S. LINARES	
DATE: 01/03/11		REVISED:	