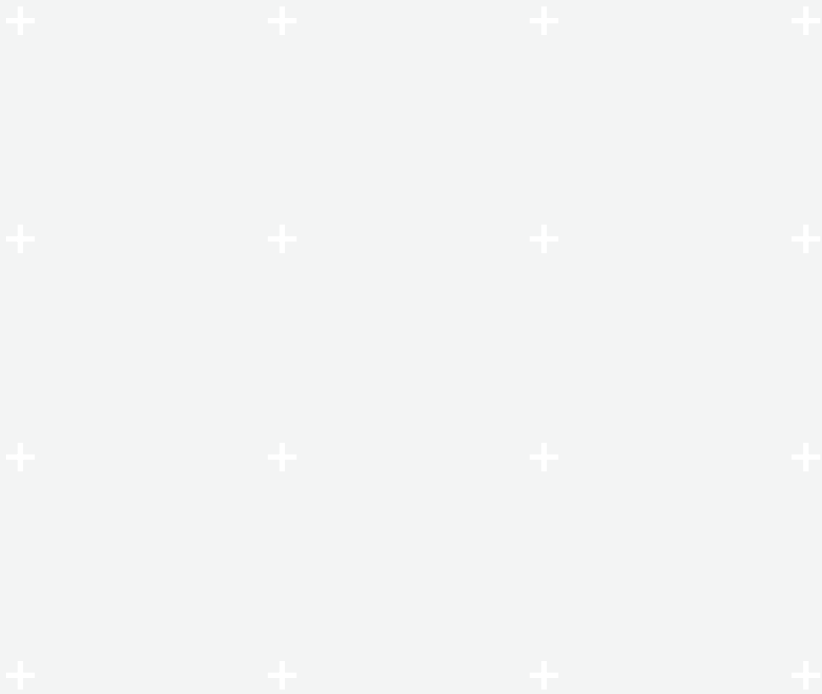
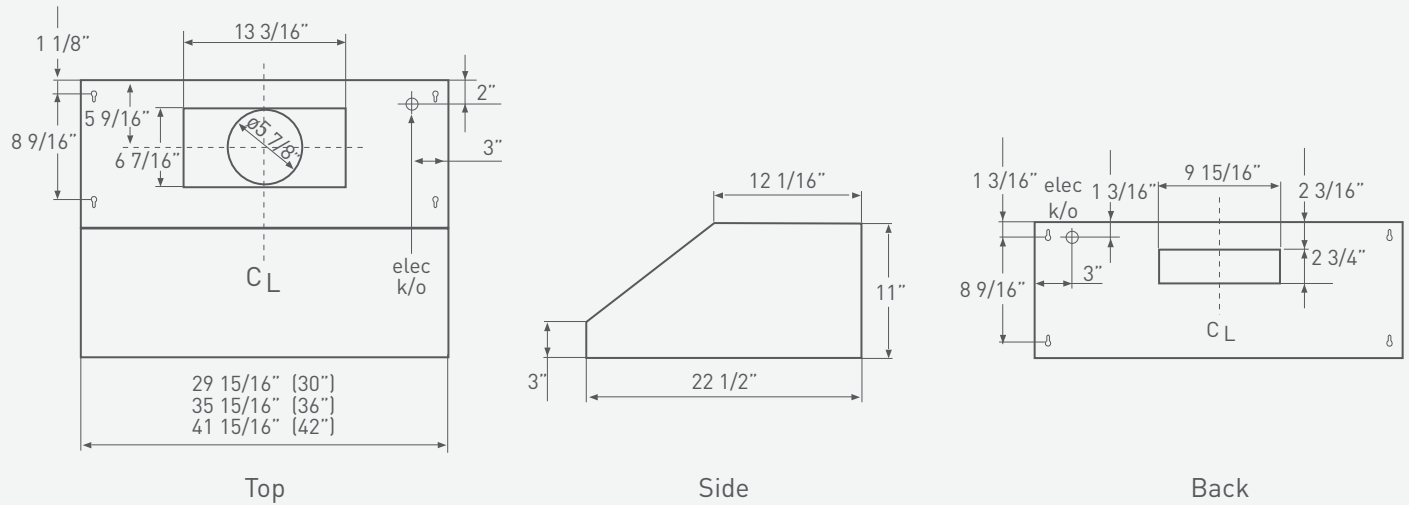


# TEMPEST I

When we redesigned the Tempest I, we set out to maximize efficiency and eliminate the hassles. So we added powerful blower options and new ways to make sure all you have to think about is the cooking: stylish electronic glass controls that streamline and enhance the hood's professional aesthetic. An optional heat lamp kit. And industrial-strength, high-airflow baffle filters that are dishwasher-safe to ensure a lifetime of exceptional performance.



# ESSENTIALS



UNDER CABINET

## TEMPEST I

MODEL	AK7000AS	AK7036AS	AK7042AS
<b>SIZE</b>	30"	36"	42"
<b>NET WIDTH</b>	30"	36"	42"
<b>PERFORMANCE</b>			
Single Internal Blower - CBI-600B	600 CFM, 6 Sones Max. (Included)	600 CFM, 6 Sones Max. (Included)	600 CFM, 6 Sones Max. (Included)
Dual Internal Blower - *PBD-1100A	1100 CFM, 8 Sones Max. (Optional)	1100 CFM, 8 Sones Max. (Optional)	1100 CFM, 8 Sones Max. (Optional)
<b>COLOR</b>			
Stainless Steel	SS	SS	SS
<b>FEATURES</b>			
Controls	Electronic Touch	Electronic Touch	Electronic Touch
Speed Levels	3	3	3
Auto Delay-Off	Yes	Yes	Yes
Lighting	Halogen, 35W x 2	Halogen, 35W x 2	Halogen, 35W x 2
Dual-Level Lighting	Yes	Yes	Yes
Filters	Baffle x 2	Baffle x 3	Baffle x 3
Recirculating	Yes (600 CFM only)	Yes (600 CFM only)	Yes (600 CFM only)
Duct Cover Extension	NA	NA	NA
<b>DUCT SPECIFICATIONS</b>			
Vertical - Single/Dual	6" / 10"	6" / 10"	6" / 10"
**Horizontal	3 1/4" x 10"	3 1/4" x 10"	3 1/4" x 10"
<b>AC INPUT</b>	120V - 60Hz	120V - 60Hz	120V - 60Hz
<b>AC POWER</b>			
With Single Internal Blower	Max. 390W, 3.25 Amps	Max. 390W, 3.25 Amps	Max. 390W, 3.25 Amps
With Dual Internal Blower	Max. 710W, 5.95 Amps	Max. 710W, 5.95 Amps	Max. 710W, 5.95 Amps
With Heat Lamps	Max. 500W, 4.2 Amps	Max. 500W, 4.2 Amps	Max. 500W, 4.2 Amps
<b>OPTIONAL ACCESSORIES</b>			
Back Splash w/ Warming Racks	AK0710	AK0716	AK0718
Heat Lamps	AK0700AS	AK0706AS	AK0702AS
**Recirculating Kit	ZRC-7000	ZRC-7036	ZRC-7042

Mounting Heights Min. height 26" from cooking surface.  
Hood mounted 62" from floor.

Max. height 36" from cooking surface.  
Hood mounted 72" from floor.

\* PBD-1100A dual blower kit sold separately. To complete the PBD-1100A kit you must remove the blower from the Tempest I and install it into the PBD-1100A kit. \*\* Horizontal ducting and recirculating kit are compatible with 600 CFM internal blower only.

ESSENTIALS  
**ZEPHYR**

**Zephyr Corporation**

2277 Harbor Bay Parkway  
Alameda, CA 94502

1.888.880.VENT

[www.zephyronline.com](http://www.zephyronline.com) june08.0201

