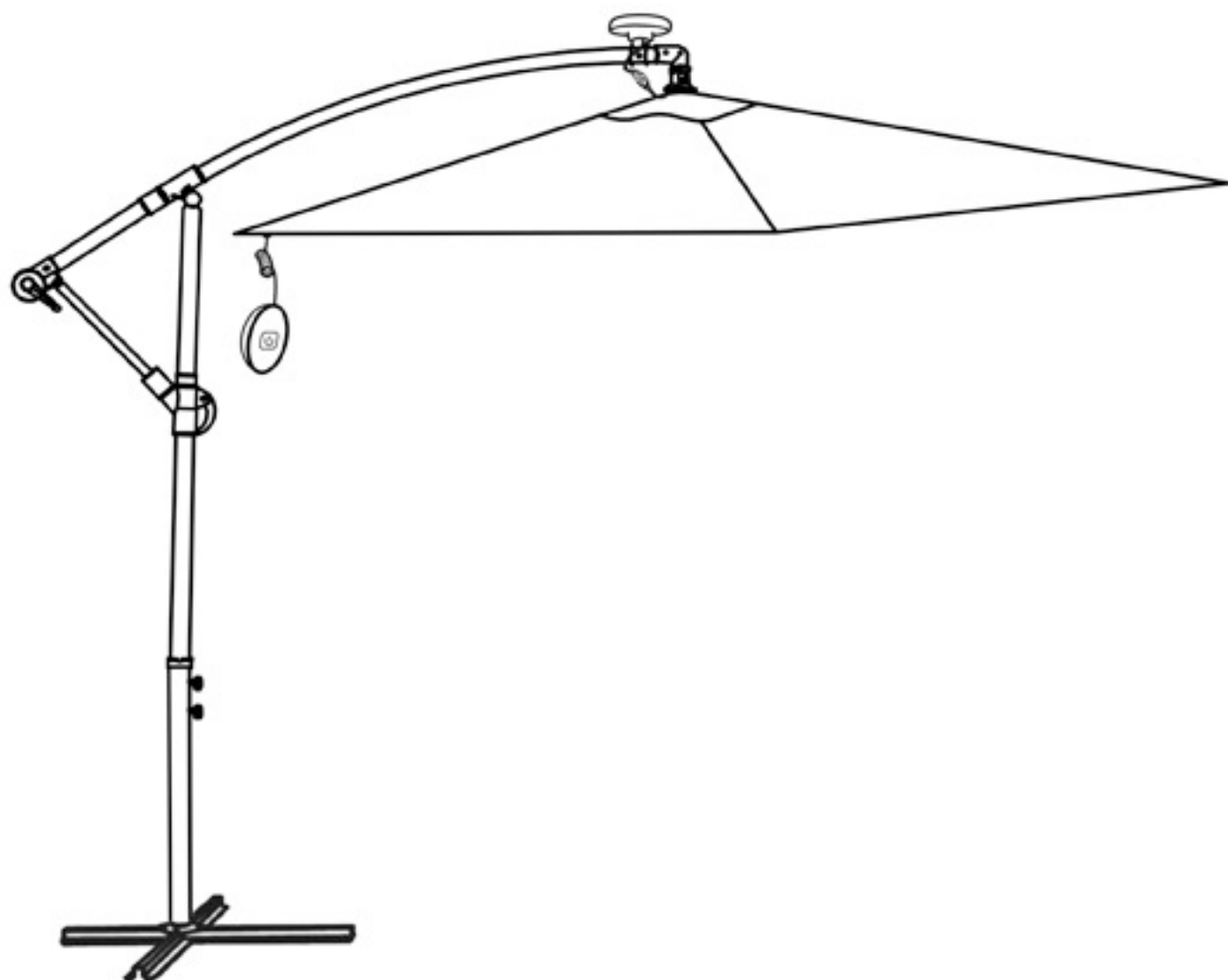




Thank you for choosing Sunnydaze Décor. If you have any questions, comments or concerns please feel free to contact us by phone at: 888-881-4668, by email: customerservice@serenityhealth.com, or you could also email us via our contact us page at: www.serenityhealth.com/contact-us/.

We stand behind our brand and the quality of the items we sell. We will send new parts, or replace products at our discretion within the one year warranty period. Before we can help, you will need to provide proof of purchase with the date of purchase and photos of the defective merchandise. We will use the photos to determine the cause of defect and for future quality control.



10Ft Offset Umbrella with Solar LED Light

Assembly & User Guide

IMPORTANT : RETAIN FOR FUTURE REFERENCE

Before you start...

- The parasol you have purchased is constructed from high quality steel for strength and durability and has been treated with a two stage corrosion resistant finishing process. The first stage is a durable undercoat covering all surfaces and the second stage provides a hardwearing top coat. Even though a two stage process has been applied steel is still prone to some corrosion over time or if damaged, particularly if you intend to leave the furniture exposed to adverse weather for periods of time. For details of how you can minimise the chance of this occurring please see our 'How to....look after your furniture' section.
- This parasol requires the use of 4 parasol base weights or similar items, such as paving slabs, for stability. Minimum total weight limit 54Kg (120lbs.)
- We suggest you spend some time reading this guide before following the simple step-by-step assembly instructions.
- Do not discard any of the packaging until you have checked that you have all parts and fittings listed. When discarding packaging take care and consideration for others and the environment.
- When assembling this parasol be aware of the safety of yourself and others.
- Because of the size of this parasol we suggest that you assemble it in the area intended for use.
- Some of the assembly will be easier with two people. Seek assistance when lifting large or heavy items.
- Assemble this parasol on a clean, flat and level surface e.g. the cardboard packaging.
- Keep any tools provided or spare fittings for future use. Only use the tools specified.
- Assemble all parts loosely, by hand, before tightening any bolts or fixings.
- Solar Panel collects energy from the sun to charge the batteries inside the light. When batteries are charged. pulling the switch to turn it on.
MAXIMUM SUN LIGHT EACH DAY to fully charge the batteries.

Battery Replacment

Step 1 : Remove the cover by undoing the small screws whith a head screw driver and place to one side.

Step 2 : Remove the exhausted battery, insert a new rechargeable battery.
(Battery specification: 3.2V AA Lithium battery)

Step 3 : Take care during this process to ensure wireing and electronics are not damaged.

Step 4 : Replace the enclosure accordinly.

WARNING:

- Keep plastic bags away from children or animals.
- Keep fittings and small parts out of reach of children and animals.
- Do not place components directly onto patios or other abrasive surfaces where they may become damaged.
- Do not use power tools such as drills, as this may damage the frame or fittings.
- Do not use parasol if any parts are missing or broken.
- Do not use parasol until all the bolts and fixings are tight. Do not over tighten.
- Do not modify or alter the parasol in anyway.
- Do not climb or stand on any part of the parasol or allow children to play on or around the parasol.
- Please ensure that any visitors that use the parasol are aware of its correct use and operation.
- Do not use your parasol in windy conditions or thunder storms.
- Do not leave your parasol in the raised position whilst unattended.
- This parasol does not provide complete protection from the sun / UV light.

How to ... use your parasol

- Always use on a firm, flat and level surface.
- Always ensure that the parasol is erected in its intended position and that any locking mechanisms are engaged prior to use.
- This parasol is designed for private and domestic use only e.g. around the home and garden. This furniture is not designed or intended for commercial use e.g. pubs, restaurants or hotels etc.
- Take care when using the parasol near other products such as barbecues, candles, lanterns or heaters.
- Care must be taken when opening or closing the parasol to ensure that you do not trap or pinch your fingers or clothing.
- Always ensure that the parasol base is securely fixed or weighted down prior to use.

How to ... assemble your parasol

You should have...

Ⓐ X1



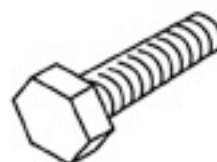
Ⓑ X1



Ⓒ X1



Ⓓ X4



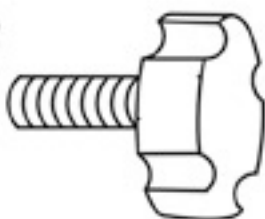
Ⓔ X4



Ⓕ X1



Ⓖ X2



Ⓖ X1

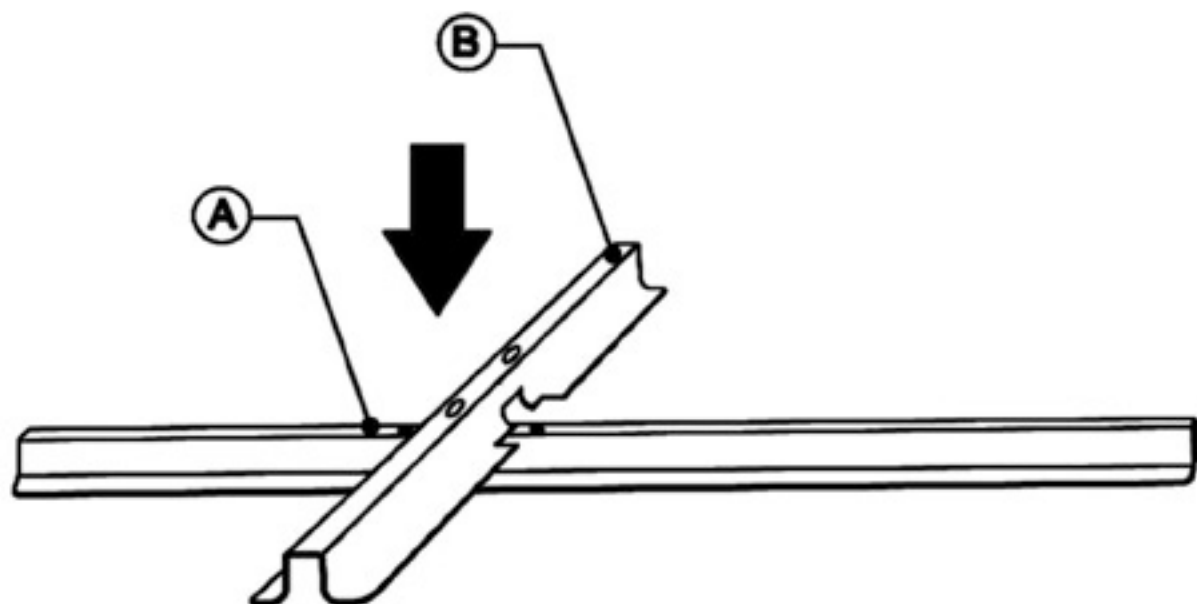


Ⓘ



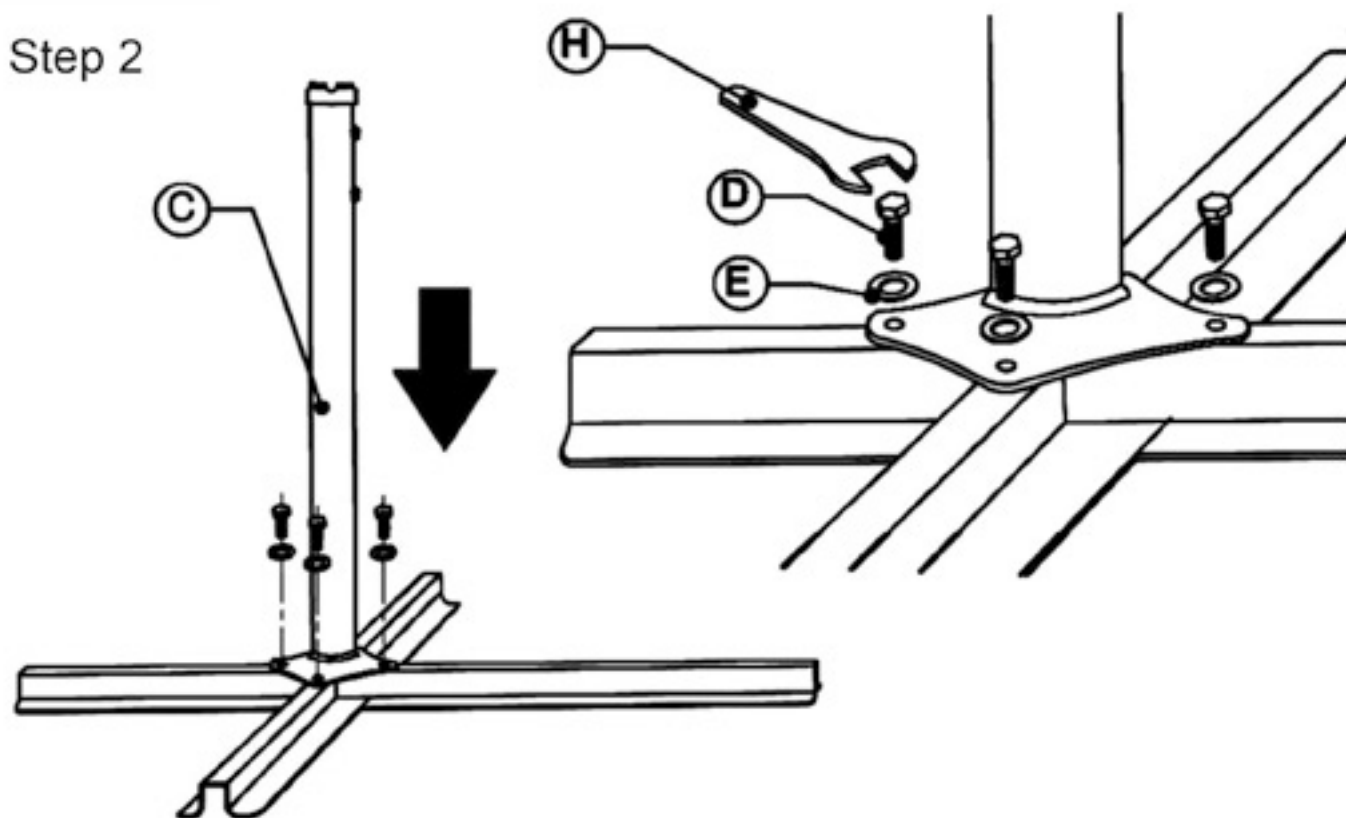
Assemble your parasol

Step 1



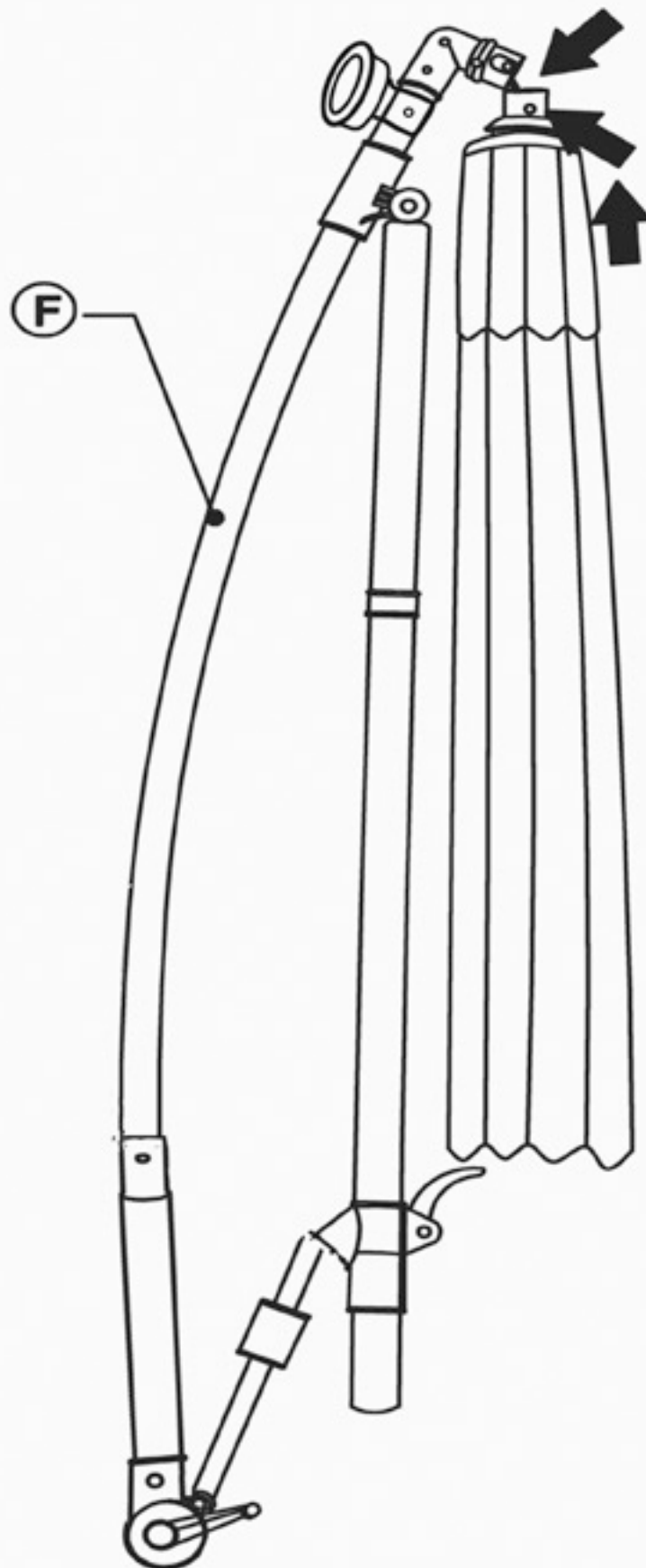
- Slot the two feet (A & B) together as shown in the diagram above.

Step 2



- Attach the base stand (C) to the feet using four bolts (D) and four washers (E). Tighten the bolts into the feet using the spanner (H) provided.

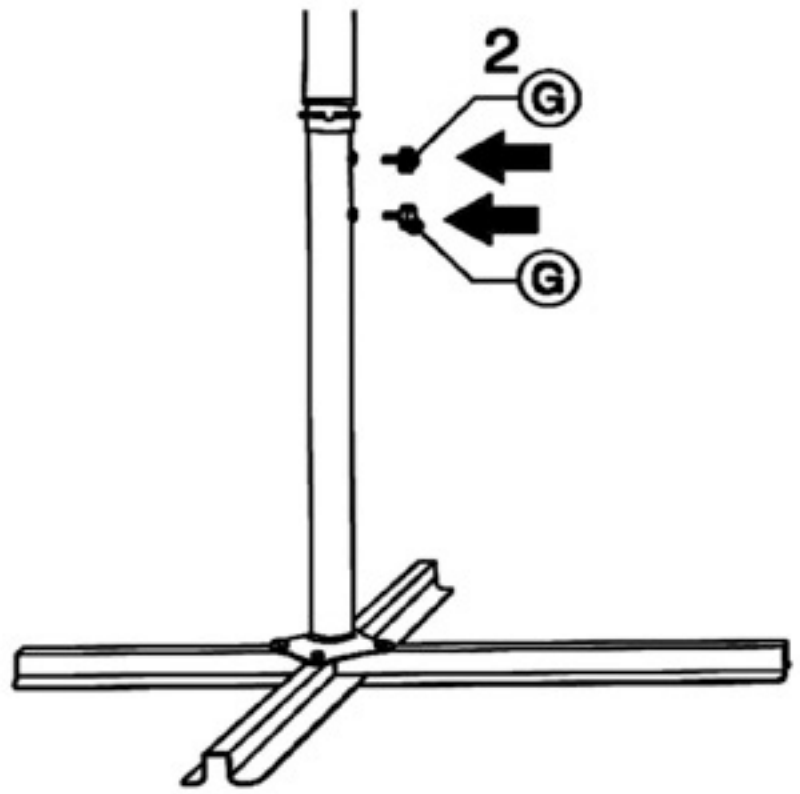
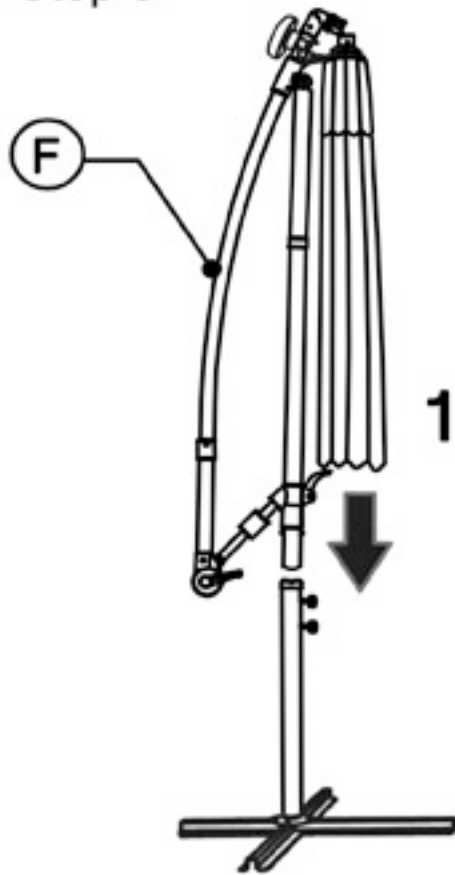
Step 3



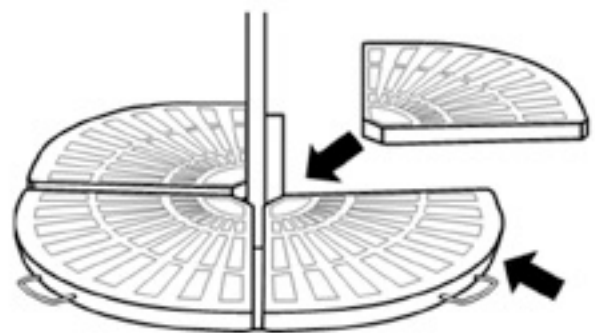
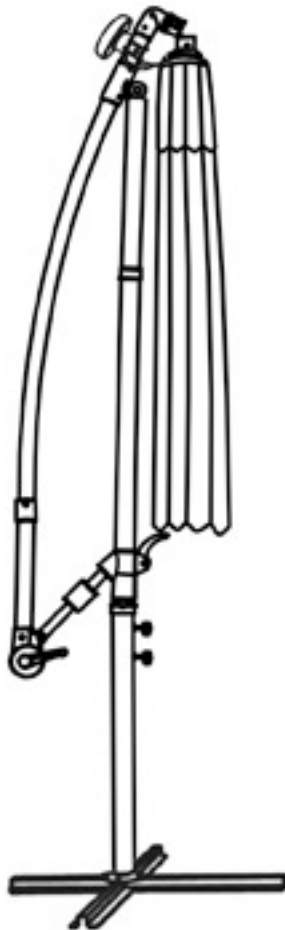
Connect the included Solar to the top support bar of the offset umbrella. This should twist and lock into place. Then connect the wiring before the next step.

Assemble the parasol canopy by attaching the parts highlighted above. Make sure the sprung nipples lock into place securely. You may need to turn the crank handle to tighten the cord so it does not become trapped.

Step 5

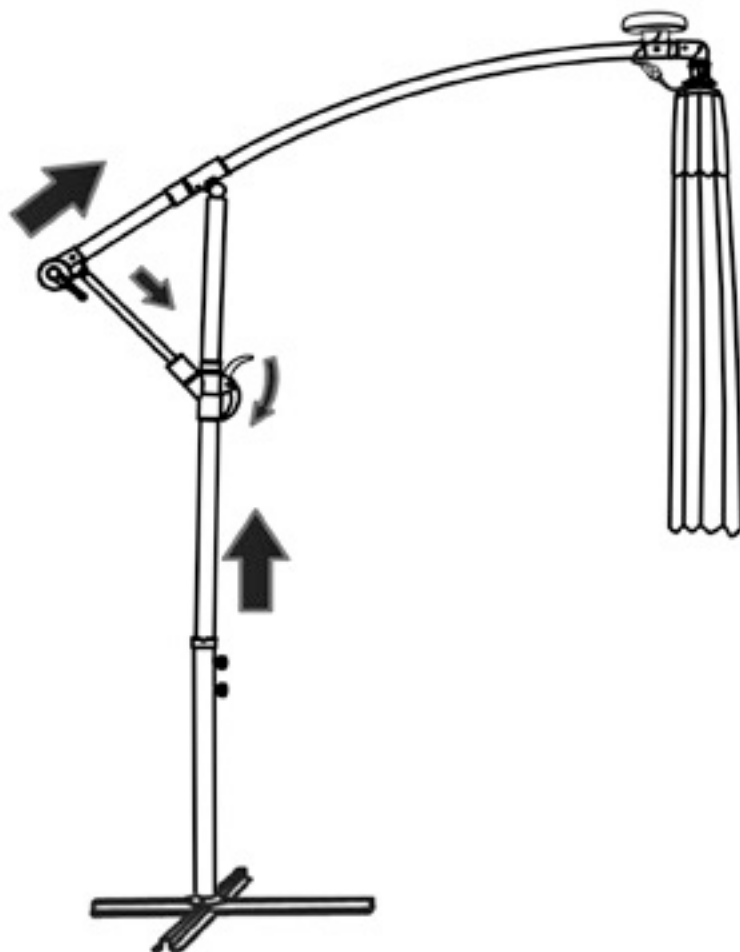


Step 6

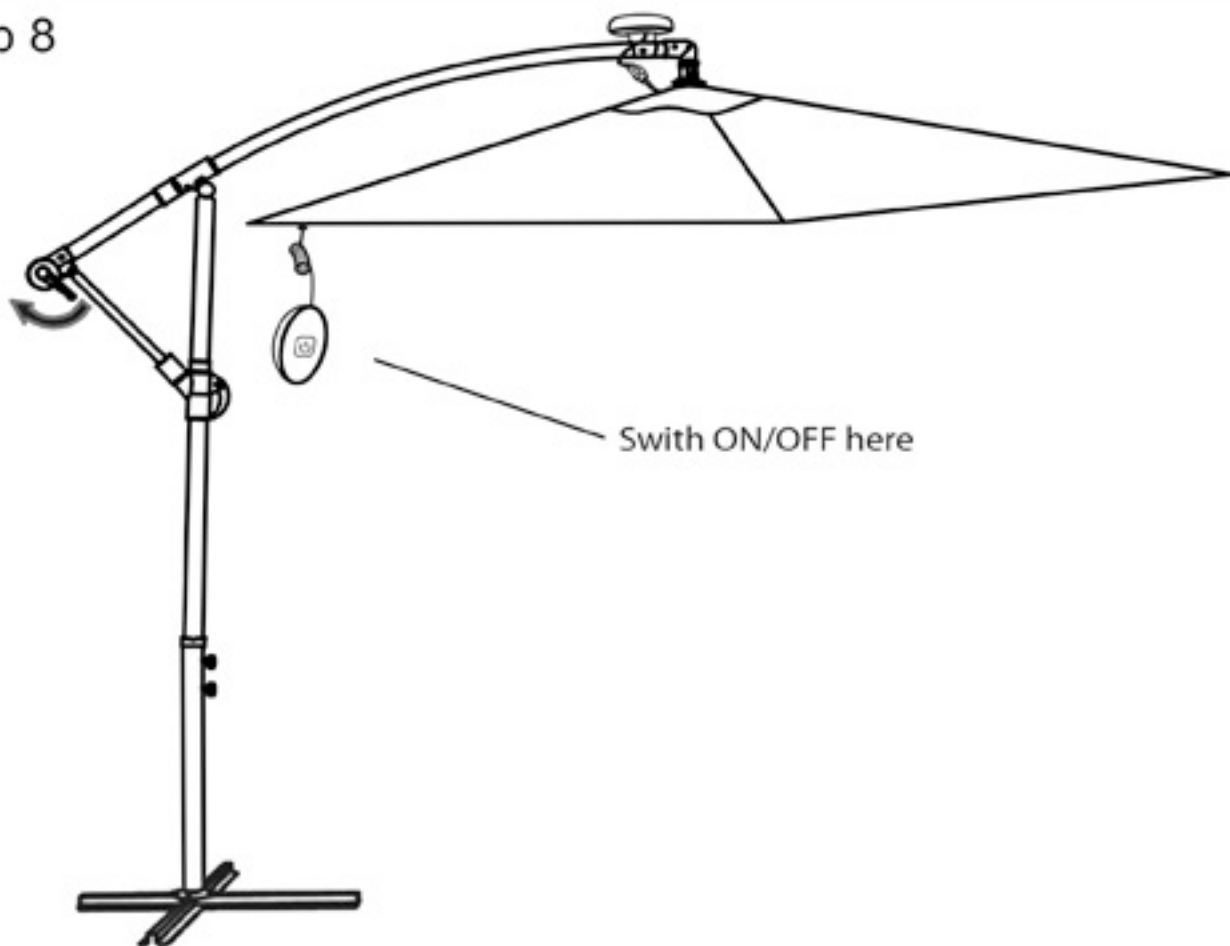


We recommend the use of 4 x parasol base weights for added stability (sold separately)

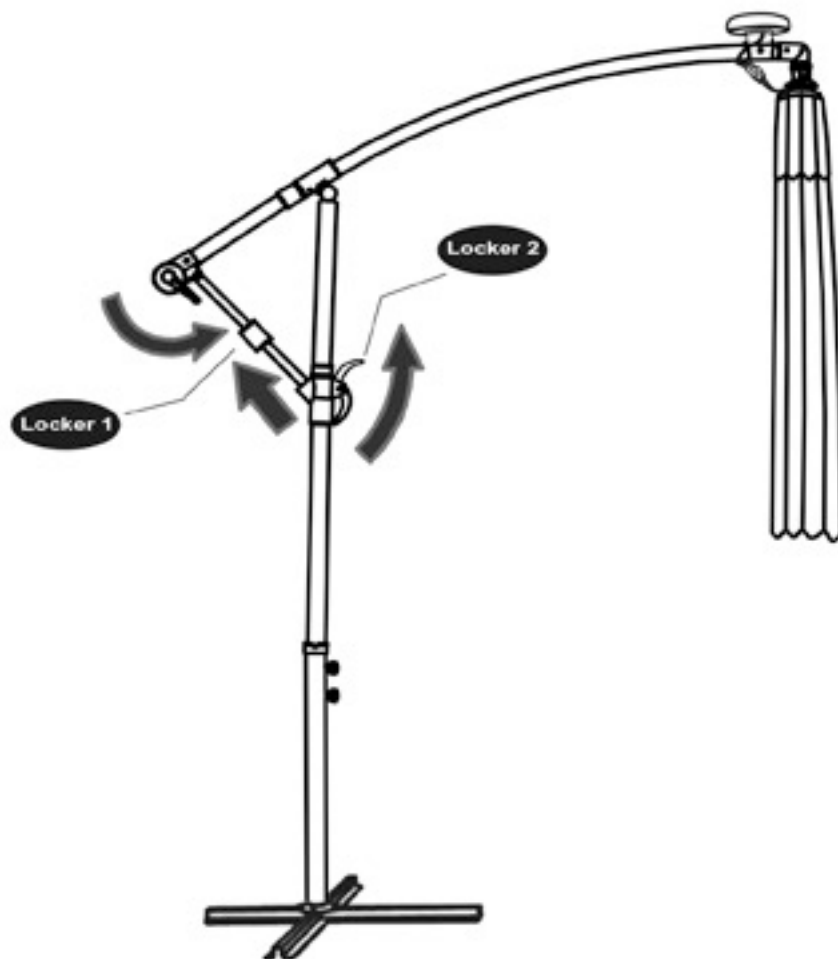
Step 7



Step 8

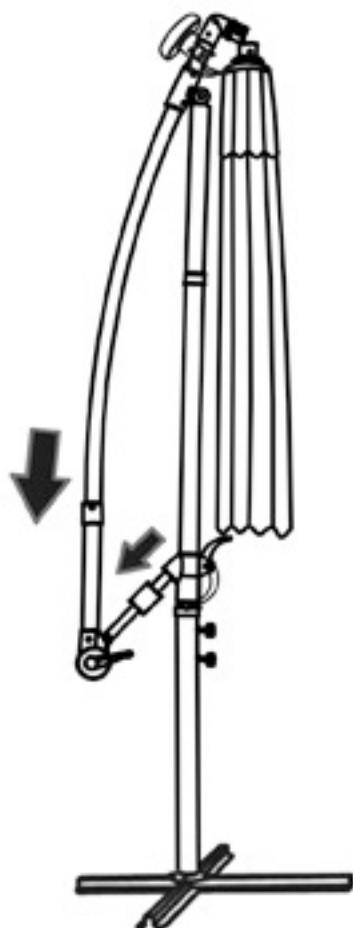


Step 9



- Make sure to unfasten the two lockers before you pull down the parasol canopy

Step 10



How to... look after your parasol

Cleaning & maintenance...

Care and cleaning instructions for metal frames

- Wash the steel parts on a regular basis following the instructions below and then use car polish or a similar product to provide extra protection.
- To clean your parasol, wipe with mild soap and water and rinse thoroughly. Do not use bleach, acid, solvents or abrasive cleaners on this product. Insure your parasol is completely dry after cleaning.
- If the painted finish should become chipped or scratched exposing bare metal, clean the surface thoroughly and treat with a touch up paint.
- Periodically use a suitable lubricant or water displacer on bolts and joints and check the frame for water build up and empty if present.
- During adverse weather conditions or during the winter store your parasol inside or under a suitable cover.
- Before putting into storage or covering, insure your furniture is clean and fully dry.
- Periodically check the tightness of any bolts or fixings. Re-tighten where required.

Care and cleaning instructions for canopy

- To clean the fabric, use a weak solution of warm water and washing powder or laundry detergent. Ensure a suitable clean white cloth is used and allow to air dry thoroughly. For more stubborn stains or spills treat with a commercial fabric stain remover as required (always follow the manufacturers guidelines). Always test on a small area first to ensure suitability. Do not use bleach, acid, solvents or abrasive cleaners on this parasol.

Trouble shooting...

Bolts are missing?

All of our fittings come in sealed blister packs, so all bolts etc. should be included. Some of our furniture has more than one fitting pack included in the box (e.g. 1 x table pack & 1 x chair pack) so please make sure the box is thoroughly checked.

Top Tip: Before assembling your furniture put all your fittings into a tupperware box and sort out them into the correct sizes and types. This makes assembly quicker and easier and helps to avoid losing parts. You can also store these instructions, the tools supplied and any spares in the box for future use.

Parts do not line up or holes are in the wrong place?

Make sure you have fitted parts the correct way around. Where possible we have labelled parts to make this obvious, but in some cases it is still possible to fit parts incorrectly and therefore the product will not go together.

Bolts won't fit?

All our flat pack (KD) furniture is designed and manufactured with specific tolerances. Sometimes this requires that parts are fitted in a specific sequence so always follow the assembly instructions. Do not tighten any fixings until all are in place. Tightening bolts prior to assembling all parts can make it too tight to fit other parts. Loosen all fittings and try to fit bolts again.

Solar light does not light - up in dark places?

- 1) Check the position of the switch and make sure not at " OFF" position
- 2) Check the rechargable battery and make sure that it is well contacted to the metal plate.
- 3) Check the location of the solar light, keep it distant from the night light sources, such as exterior lights.

Lighting hours are short?

Check the location of the solar light, make sure it is in a sunny area, and the batteries can be fully charged during day time.