

# KENYON®

*Make any day a weekend*

## INSTALLATION GUIDE & OPERATION MANUAL

*Lite-Touch™ Portrait*

*1 , 2 and 3 Burner Ceramic Glass Cooktop*



### **KENYON INTERNATIONAL**

P.O. Box 925  
8 Heritage Park Road  
Clinton, CT 06413 USA  
Phone: (860) 664 - 4906  
FAX: (860) 664 - 4907  
Website: [www.cookwithkenyon.com](http://www.cookwithkenyon.com)

Manual Part # 143409

//DC-1/engineering/manuals/B40575\_B40576\_143409D.pdf

**PLEASE READ THESE  
INSTRUCTIONS IN  
THEIR ENTIRETY  
BEFORE INSTALLATION  
ANY US OF APPLIANCE.**

**DO NOT DISCARD  
THIS MANUAL.**

**SAVE FOR FUTURE  
REFERENCE.**

## CONTENTS

	<b>Page</b>
Product Specifications	1
 <b>INSTALLATION</b>	
Package Contents	2
Electrical Requirements	3
Countertop Preparation	4
Installing Cooktop	5
 <b>GETTING THE MOST OUT OF YOUR COOKTOP</b>	
Cookware	8
Cleaning	8
 <b>TOUCH CONTROL COOKING</b>	
Control Graphics	10
Energizing Cooking Zone	11
Heat Settings	11
 <b>COOKTOP FEATURES</b>	
Heat Boost	12
Residual Heat Indicator	12
Automatic Shut-off	12

# KENYON® LITE TOUCH™

1 and 2 BURNER TOUCH CONTROL PORTRAIT

## SPECIFICATIONS

### Three Burner Models:

**B40547** 240V AC Two 6" (165mm) burner @ 1200 watts  
One 8" (200mm) burner @1800watts (landscape)

Overall dimensions: 30" x 14-1/4" x 3-1/4"  
762mm x 362mm x 83mm

Cutout dimensions: 29-1/8" x13-3/8" with 1/4" radius  
740mm x 340mm with 6mm radius

### Two Burner Models:

**B40575** 120V AC Two 6" (165mm) burner @ 1200 watts (portrait)  
**B40575L** 120V AC Two 6" (165mm) burner @ 1200 watts (landscape)

**B40576** 240V AC Two 6" (165mm) burner @ 1200 watts (portrait)  
**B40576L** 240V AC Two 6" (165mm) burner @ 1200 watts (landscape)

Overall dimensions: 21" x 12" x 3-1/4"  
533mm x 305mm x 83mm

Cutout dimensions: 20" x 10 3/4" with 1/4" radius  
508mm x 273mm with 6mm radius

### One Burner Built-In Models:

**B40571** 120V AC One 6" (165mm) burner @ 1200 watts

**B40572** 240V AC One 6" (165mm) burner @ 1200 watts

**B41573** 120V AC One 6" (165mm) burner @ 1200 watts

Overall dimensions: 12 1/2" x 12" x 3-1/4"  
317.5mm x 305mm x 83mm

Cutout dimensions: 11 1/2" x 10 3/4" with 1/4" radius  
292mm x 273mm with 6mm radius

### One Burner Portable Models:

**B41570** 120V AC One 6" (165mm) burner @ 1200 watts

Overall dimensions: 12 1/2" x 12" x 5 1/2"  
317.5mm x 305mm x 140mm

# KENYON® LITE TOUCH™

1 and 2 BURNER TOUCH CONTROL PORTRAIT

## SPECIFICATIONS



### IMPORTANT!

**Save this document for future reference.  
This appliance must be properly installed and  
grounded by a qualified technician.**

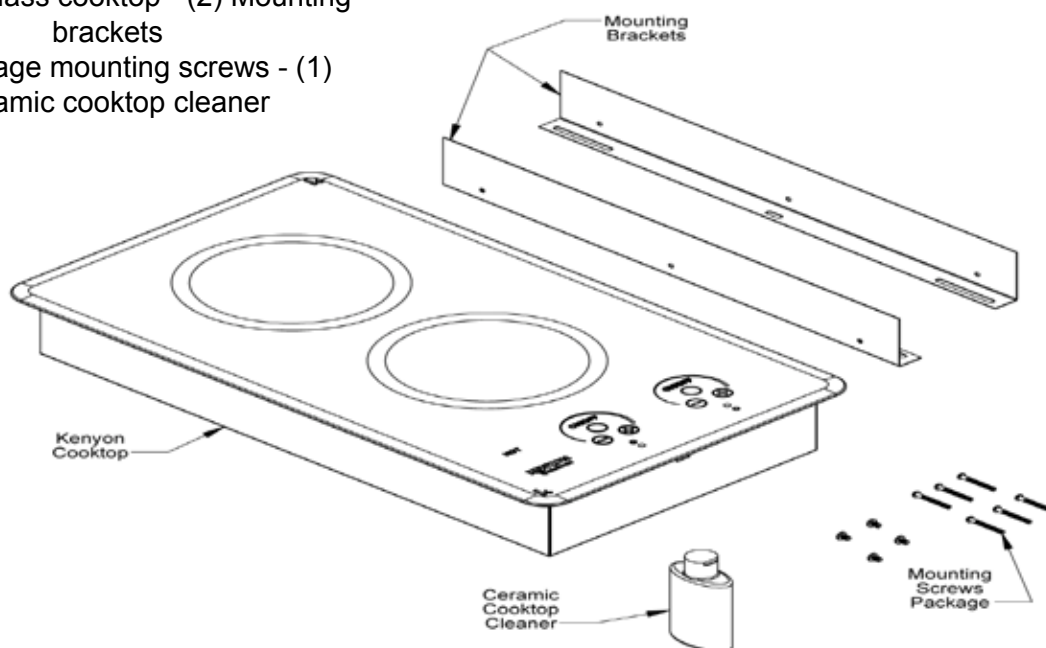
### STEP #1

#### Unpacking the Cooktop

Carefully unpack the cooktop from its shipping container. If possible, retain the original packaging should the unit ever need to be returned for service.

Verify and identify the package contents. The following items should be included in the carton. If any components are missing or damaged, call KENYON immediately.

- Ceramic glass cooktop - (2) Mounting brackets
- (1) Package mounting screws - (1) Ceramic cooktop cleaner



*\*Note model B41570 will not have mounting brackets or screws as it is a portable unit.*



### IMPORTANT!

**Do not remove the clear film on the  
ceramic glass until cooktop is ready to operate.**

For future reference, please record the serial number of your cooktop here:

\_\_\_\_\_

## **STEP #2**

### **Check the Electrical Supply Requirements**

This product must be installed in accordance with national, state and local electric codes. The following table provides the correct voltage, amperage and frequency that must be supplied to the cooktop.

The supply must be from an individual grounded circuit that is protected by a circuit breaker and rated per the specifications for the various models as shown in the table below.

<b>KENYON Part #</b>	<b>Max Connected Load</b>	<b>Power Supply Input</b>	<b>Minimum Wire Size</b>
B40575	2400 Watts	120V AC 20A 60Hz	#12 AWG
B40572	1200 Watts	120V AC 10A 60Hz	#12 AWG
B41573	1200 Watts	120V AC 10A 60Hz	N/A, Unit equipped w/ GFCI cord
B41570	1200 Watts	120V AC 10A 60Hz	N/A, Unit equipped w/ GFCI cord
B40576	2400 Watts	240V AC 10A 60 Hz	#12 AWG
B40571	1200 Watts	240V AC 5A 60Hz	#12 AWG
B40547	4200 Watts	240V AC 17.5A 60Hz	#12 AWG



### **WARNING**

**If the electrical supply does not meet the product specifications, consult with a licensed electrician before proceeding with installation!**

## **STEP #3** *\*Note steps 3 thru 5 do not apply to model B41570*

### **Countertop Preparation**

***Please read this section prior to making cutout for cooktop.***

It is important to plan ahead for installation of the cooktop, keeping the following dimensions in mind (please refer to Figure A).

**A** - 13 inches maximum depth of overhead cabinets

**B** - 36 inches is minimum height of countertop above floor

**C** - The minimum flat countertop surface that the cooktop will rest upon must be equal to or greater than the overall cooktop dimensions (refer to the following page for overall cooktop dimensions).

**D** - 30 inches minimum clearance between the top of the cooking surface and the bottom of an unprotected wood or metal cabinet or 24 inch minimum clearance when the bottom of wood or metal cabinet is protected by not less than 1/4-inch thick flame retardant millboard covered with not less than No. 28 MSG sheet steel, 0.015-inch thick stainless steel, 0.024-inch thick aluminum or .020-inch thick copper.

**E** - 1 inch minimum from backsplash of countertop to edge of glass (refer to the following page for overall cooktop dimensions). 1-1/2 inch minimum from front of counter to glass.

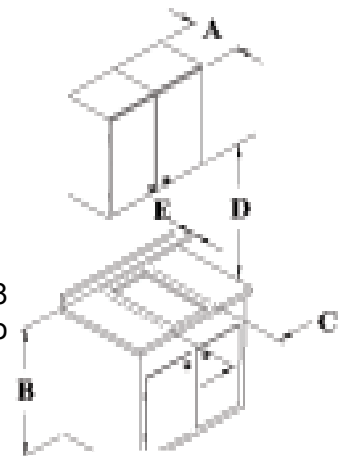


Fig. A

**For installations in Canada:** "Do not install closer than 1/2-inch (12mm) from any adjacent surface". Ne pas installer à moins de 12mm de toute surface adjacente.



### WARNING

To eliminate the risk of burns by reaching over heated surface units, cabinet storage space located above surface units should be avoided. If cabinet storage is to be provided, the risk can be reduced by installing a range hood that projects horizontally a minimum of 5 inches beyond the bottom of the cabinets.

Before making the countertop cutout, check for clearance. Check to see if the cooktop will clear the front and side walls of the base cabinet. It is also important that you provide adequate ventilation.

Adequate ventilation of the space below the countertop must be provided to ensure proper operation of the cooktop. Heat transferred from the cooktop bottom pan during operation will overheat an improperly ventilated area.

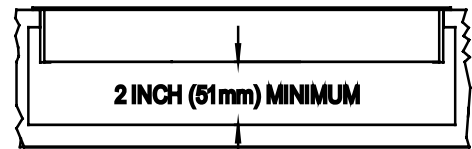
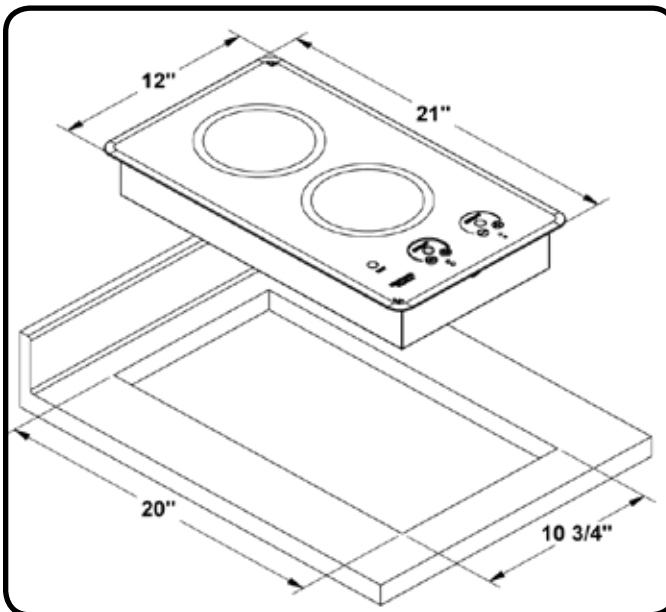


Fig. B

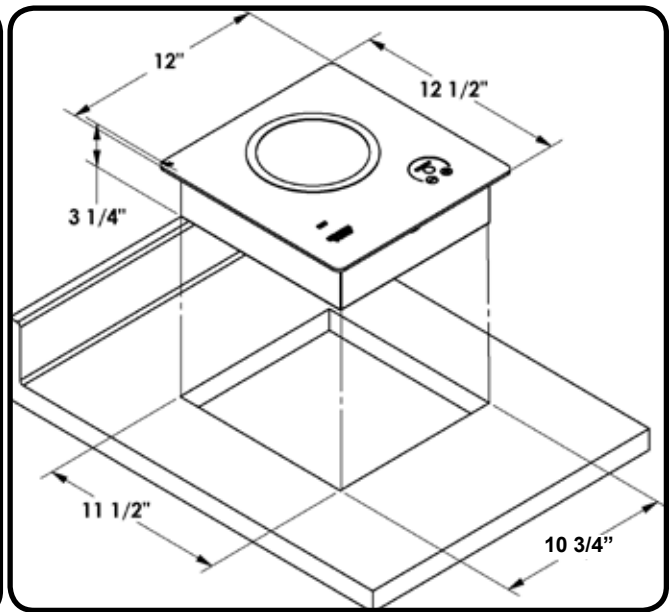


### WARNING

Allow a 2" minimum clearance between the bottom of the cooktop and combustible surface located below, ie: the upper edge of a drawer installed below the cooktop (Fig B). Failure to provide proper clearances and ventilation may result in a fire hazard.



B40575/B40576 Cut-Out Dimensions

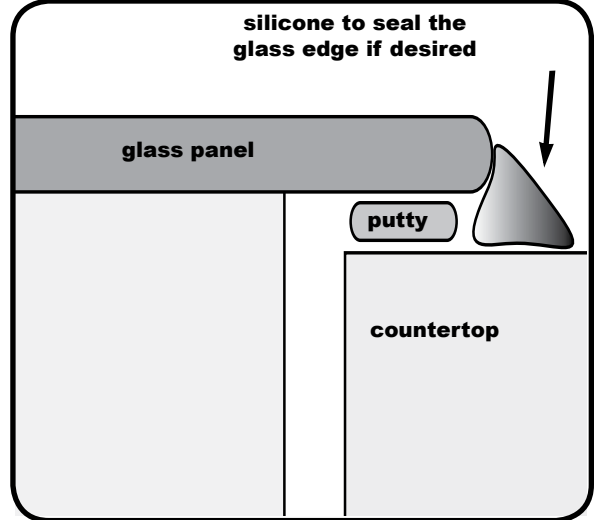


B40571/B40572/B41573 Cut-Out Dimensions

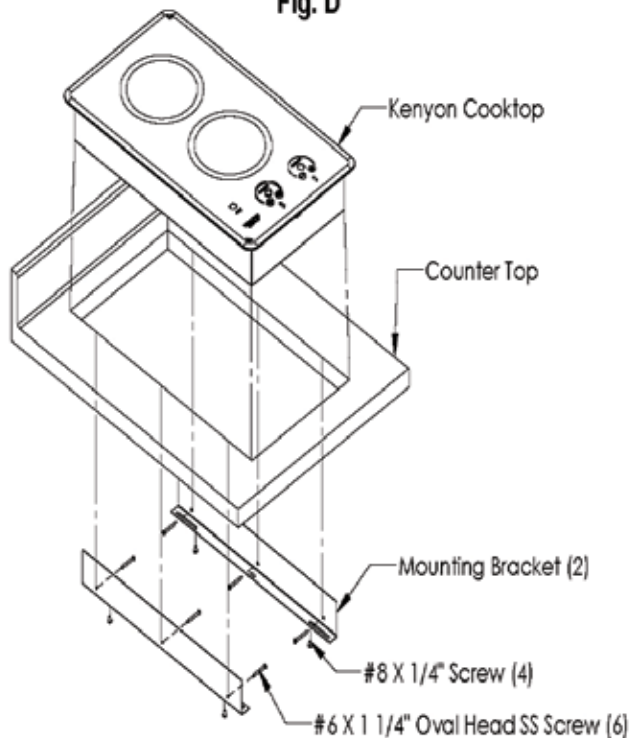
**NOTE:** When making cut-out of countertop, **radius** the corner of the cutout (1/4" radius is typical), to help prevent cracking of the countertop. Follow the countertop manufacturer's instructions regarding the minimum corner radius and reinforcement.

**STEP #4**  
**Installing the Cooktop**

The cooktop is supplied with two metal mounting brackets. These brackets are designed to hold the cooktop firmly in place. The cooktop does not have a metal frame and should be sealed to the countertop. **Use a soft bedding compound that will prevent damage if later removal for service is necessary. We recommend a nonadhesive type of sealant, such as plumber's putty, maximum compressed thickness of 1/16".** Silicone may be used to seal the glass edge only, if desired.



**Fig. D**



Attach the two mounting brackets as shown (**see Fig D**) to the inside vertical surface of the cutout. The brackets are to be mounted on opposing sides. Center the bracket in the opening, **flush with the countertop** and secure with #6 self-tapping screws that are provided. Position the cooktop in the cutout opening and press firmly on all sides to seal the glass into the bedding compound. Secure the cooktop to the brackets from underneath with the small sheet metal screws that are supplied.

**BE CAREFUL NOT TO OVERTIGHTEN THE SCREWS.**





### **WARNING- GROUNDING**

**The entire appliance must be grounded at all times when the electrical power supply is on. Do not ground the appliance with the neutral house supply wire (white). A separate ground must be used.**

### **STEP #5**

#### **Electrical Connection**

Before proceeding further, verify that the power supply is disconnected. Verify that the appropriate electrical supply requirements have been met. Please refer to the table on **page 3** for appropriate electrical requirements. The cooktop is supplied with a sheathed harness for a connection to an accessible junction box. The harness consists of three insulated wires. There are two insulated hot lead conductors (both tinned copper) and one insulated ground conductor (green insulated-tinned copper).

**Attach conductor wires to mains in accordance with national, state and local electric codes.**

### **STEP #6**

#### **Final Preparations Prior to Use**

Remove the plastic film from the cooktop. Clean the cooktop before you use it for the first time. A thorough cleaning with a recommended cooktop cleaner (*Cerama Brite* Ceramic Cooktop Cleaner) will provide a clean, shiny coating on the cooktop surface.

# **KENYON® LITE TOUCH™**

1 and 2 BURNER TOUCH CONTROL PORTRAIT

## **USE AND CARE**

### **IMPORTANT SAFEGUARDS, SAVE THESE INSTRUCTIONS!**

1. Read all instructions.
2. Do not touch hot surfaces. Use handles or knobs.
3. To protect against electrical shock do not immerse cord, plugs, or GFCI module in water or other liquid.
4. Close supervision is necessary when any appliances is used by or near children.
5. Unplug from outlet when not in use and before cleaning. Allow to cool before putting on or taking off parts.
6. Do not operate any appliances with a damaged cord or plug or after the appliance malfunctions or has been damaged in any manner. Return appliance to nearest authorized service facility for examination, repair, or adjustment.
7. The use of accessory attachments not recommended by the appliance manufacturer may cause injuries.
8. Do not let cord hang over edge of table, counter, or touch hot surfaces.
9. Do not place on or near a hot gas or electric burner or in a heated oven.
10. Extreme caution must be used when moving an appliance containing hot oil or other hot liquids.
11. Always attach plug to appliance first, then plug cord into the wall outlet, To disconnect, turn any control to “off”, then remove the plug from the wall outlet.
12. Do not use appliance for other than intended use.
13. Do not cook on broken cook-top! If a cook-top should break, cleaning solutions and spillovers may penetrate the broken cook-top and create a risk of electric shock.
14. Clean coop-top with caution! If a wet sponge or cloth is used to wipe up spills on a hot cooking area, be careful to avoid steam burn, some cleaners can produce noxious fumes if applied to a hot surface.
15. Save these instructions!

# KENYON® LITE TOUCH™

1 and 2 BURNER TOUCH CONTROL PORTRAIT

## USE AND CARE

### SAFETY

**Read this section BEFORE operating the cooktop**  
**The following information applies to all**  
**KENYON Electric Cooktops.**

**This cooktop, like all appliances, has the potential to create safety problems through careless and improper use. Please observe all of the following safety precautions.**

#### **Proper Installation**

Be sure your appliance is properly installed and grounded by a qualified technician.

**Never use your appliance for warming or heating a dwelling.**

**Do not leave children alone.**

Children should never be left alone or unattended in the area where the appliance is in use. They should never be allowed to sit or stand on any part of the appliance. Do not store items of interest to a child in cabinets above cooktop or behind cooktop. Children climbing on the cooktop to reach such items could be seriously injured.

**Wear proper clothing/apparel.**

Loose fitting or hanging garments should never be worn while using the appliance.

#### **User Servicing**

Do not repair or replace any part of the appliance. If service ever becomes necessary, this appliance should be serviced by **AUTHORIZED PERSONNEL ONLY** or call **KENYON Customer Care** at (860) 664-4906.

**Keep flammable materials away from cooktop.**

**Do not store plastic material (such as plastic utensils) in storage areas beneath cooktop.**

Plastic items with low melting temperatures should not be stored under, over or near the cooktop.

**Special instructions for Model B41573 & B41570 (Unit equipped w/ GFCI cord & intended for outdoor use)**

Outdoor extension cords should be used with outdoor use products and are surface marked with the suffix letter "W" and with a tag stating "Suitable for use with outdoor appliances." When connecting the appliance to such a cord, the connection must be kept dry and off the ground.

# KENYON® LITE TOUCH™

1 and 2 BURNER TOUCH CONTROL PORTRAIT

## OPERATION GUIDE

### READ SAFETY INSTRUCTIONS BEFORE OPERATING YOUR APPLIANCE

The cooking surface and control areas of your glass ceramic cooktop are identified by permanent patterns in the cooktop. The appliance is easy to maintain and clean. Keeping the cooktop in top performance can be achieved by following the simple guidelines for use and cleaning below:

#### **Cookware**

Chances are your existing cookware will work just fine with your glass ceramic cooktop. Cooking on a glass ceramic cooktop does not require special pots or pans. Since cookware plays an important role in cooking efficiency and convenience, keep in mind the following information when making your selection.

Cookware should have a flat bottom. Although glass and other types of materials can be used, metal utensils with thick bottoms will generally conduct the heat well. Aluminum and stainless steel cookware usually work best. Avoid utensils with shaped and rounded bottoms, or those that warp when heated. Only certain types of glass, glass/ceramic, ceramic, earthenware, or other glazed utensils are suitable for range-top service without breaking due to the sudden change in temperature.

Use cookware of the correct diameter only. The base of the pot or pan should be about as large in diameter as the cooking zone on which it is used. By using utensils with the correct diameter, you should achieve maximum heating efficiency with the shortest boiling times.

Be certain that both the cooktop glass panel and the bottoms of your cookware are clean and dry before use. By doing so, you will help prevent scratches and stains.

#### **Cleaning**

To help ensure that the KENYON cooktop stays clean, follow these easy-care tips:

Clean the cooktop before you use it for the first time. A thorough cleaning with a recommended cooktop cleaner (**Cerama Brite Ceramic Cooktop Cleaner**) will provide a coating on the cooktop prior to its first use. A sample is included with your Kenyon cooktop.

Always remove food spills, grease spatters and metal rub-off from cookware. A razor blade scraper or the equivalent works well to remove spillovers.

Clean the cooktop with a paper towel or a clean, soft cloth and a recommended cleaner. After cleaning, always wipe the cooktop with a clean, damp cloth to avoid cooked-on cleaner residue, then wipe the cooktop dry.

Do not use a dish towel or sponge to wipe off the cooktop. A film may be left by the detergent and may cause discoloration of the cooktop surface.

Avoid abrasive scouring cleaners of any kind. Also avoid using plastic, nylon or metal cleaning pads. They may scratch or melt onto the cooktop.

Avoid chemical cleaners such as chlorine bleach, ammonia, hydrofluoric acid or chemical oven cleaners. They can etch or discolor the surface.

Do not let anything that melts - plastic, aluminum foil, sugar, etc. come into contact with the cooktop surface when it is hot. Should something melt onto the surface, *immediately* move it to a cool area of the cooktop with a razor blade scraper and then remove it from the cooktop as soon as possible.

# KENYON® LITE TOUCH™

1 and 2 BURNER TOUCH CONTROL PORTRAIT

## OPERATION GUIDE

### **Do not use water on grease fires.**

Smother fire or flame or use dry chemical or foam-type extinguisher.

### **Use only dry pot holders.**

Moist or damp pot holders on hot surfaces may result in burns from steam. Do not let pot holder touch the heating elements on the appliance. Do not use a towel or other bulky cloth in place of a pot holder.

### **Do not cook on broken cooktop.**

If cooktop should break, cleaning solutions and spillovers may penetrate the broken cooktop and create a risk of electric shock. Contact an authorized service center or KENYON Customer Care immediately at (860) 664-4906.

### **Clean cooktop with caution.**

If a wet sponge or cloth is used to wipe spills on a hot cooking surface, be careful to avoid steam burns. Some cleaners produce noxious fumes if applied to a hot surface. Read the cleaner label for details prior to using.

### **Do not touch heating elements.**

The heating elements on the cooktop may be hot even if they are dark in color. These areas may be hot enough to cause burns. Never touch heating elements until they have had sufficient time to cool. Likewise, never allow clothing or flammable materials to come in contact with heating elements or cooktop surfaces until they have had sufficient time to cool. Other surfaces of the appliance may become hot enough to cause burns.

### **Use proper pan size.**

This appliance is equipped with one or more surface units of different size. Select utensils having flat bottoms large enough to cover the surface unit heating element. The use of undersized utensils will expose a portion of the heating element to direct contact and may result in ignition of clothing. Proper relationship of utensil to burner will also improve efficiency.

### **Never Leave Surface Units Unattended at High Heat Settings.**

Boil-over causes smoking and greasy spillovers that may ignite.

### **Handles Should be Turned Inward and Not Extend Over Adjacent Surface Units.**

To reduce the risk of burns, ignition of flammable materials, and spillage due to unintentional contact with the utensil, the handle of a utensil should be positioned so that it is turned inward, and does not extend over adjacent surface units.

**KEEP THESE INSTRUCTIONS WITH THE COOKTOP FOR FUTURE REFERENCE**

# KENYON® LITE TOUCH™

1 and 2 BURNER TOUCH CONTROL PORTRAIT

## OPERATION GUIDE

### **POWER ON INDICATOR**

This display indicates whether the selected element is ON or OFF.

### **POWER LEVEL DISPLAY**

Digital display indicates heat output of the selected element. The indicator lamps follow the sweep of the screened graphic. There are eight possible heat levels.

### **(+) POWER SENSOR**

Touching this sensor will increase the heat output of the selected element in increments of one.

### **(-) POWER SENSOR**

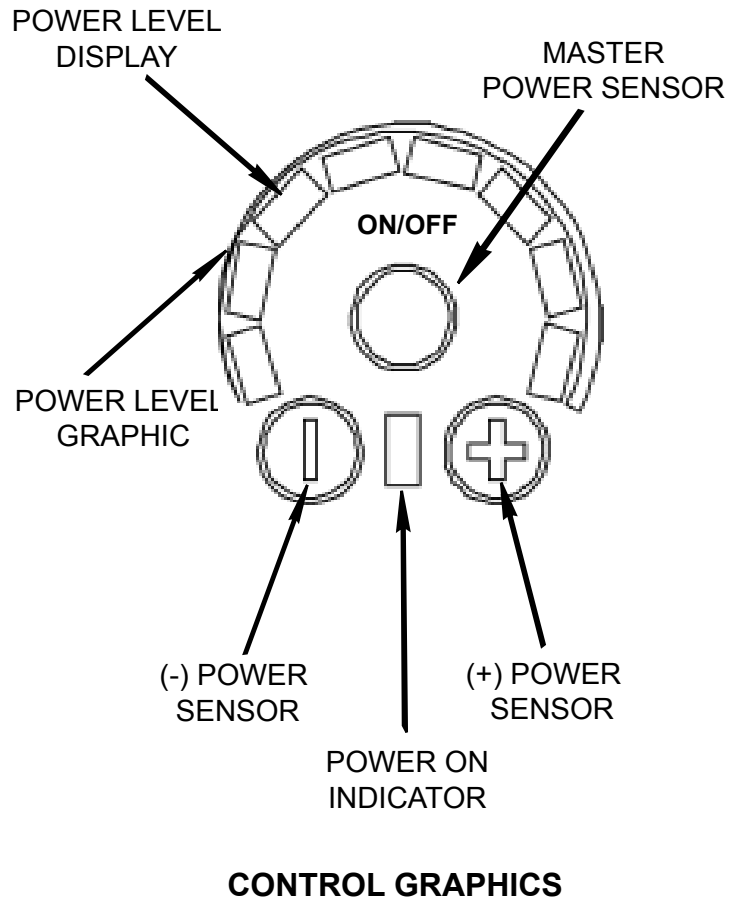
Touching this sensor will decrease the heat output of the selected element in increments of one.

### **POWER LEVEL GRAPHIC**

Depicts the level of heat output by the element. The line sweeps from thin to thick, indicating low to high power.

### **MASTER POWER SENSOR**

This is the main power control for the selected element. Touching this with the element OFF will activate the controller and turn the element ON. Touching this sensor with the element on will shut the element OFF.



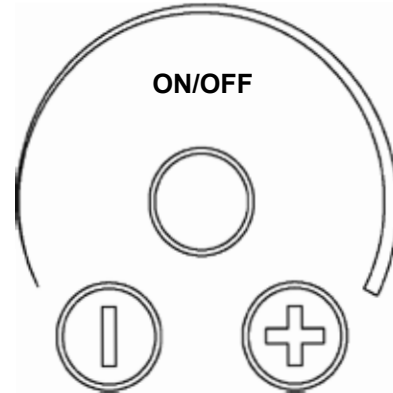
# KENYON® LITE TOUCH™

1 and 2 BURNER TOUCH CONTROL PORTRAIT

## OPERATION GUIDE

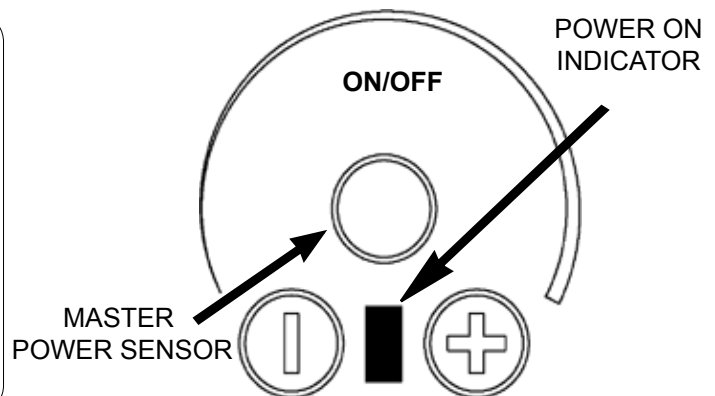
### **CALIBRATION**

Upon application of electrical power to the cooktop, the controller will run a self-calibration process. The controller will then sound an audible confirmation tone and the display will briefly illuminate. The cooktop is now ready to be used.



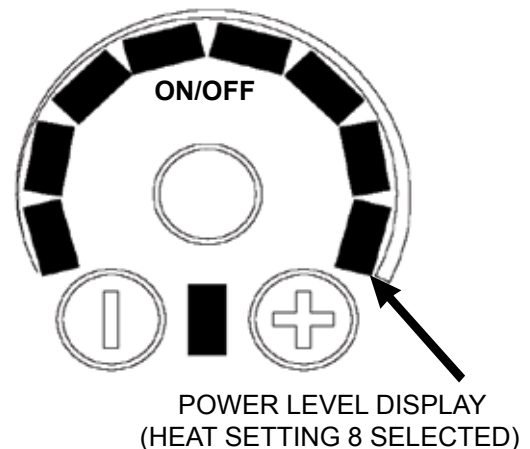
### **ENERGIZING THE ELEMENTS**

To turn the selected element ON, touch and hold the Master Power Sensor for two seconds. The controller will then beep and the Power On Indicator will illuminate.



### **HEAT SETTINGS**

Your KENYON cooktop has 8 different heat settings, from 1 through 8, selected using the (-) and (+) sensors. The heat setting is displayed as shown at the right. The heating element cycles at different time intervals to vary the heat level. As the setting is increased, the heating element will remain on for a longer period, increasing the cooking temperature of the element.



# KENYON® LITE TOUCH™

1 and 2 BURNER TOUCH CONTROL PORTRAIT

## OPERATION GUIDE

### **HEAT BOOST**

When an element is energized and a heat setting is selected, the Heat Boost feature is activated and the element will stay at full power for the time duration in minutes indicated in the chart below.

HEAT LEVEL	0	1	2	3	4	5	6	7	8
------------	---	---	---	---	---	---	---	---	---

### **HOT SURFACE INDICATORS**

Your KENYON cooktop features a Hot Surface indicator. Any element that has been in use and is switched off will illuminate an indicator lamp. *This indicates that the glass surface of the cooktop is still too hot to touch!* The Hot Surface indicator lamp will extinguish automatically after the glass surface has had sufficient time to cool, determined by the power level and time in use.

HOT SURFACE  
INDICATOR  
LAMP



### **AUTOMATIC SHUT-OFF**

The cooktop is programmed to power down if it is left unattended for an extended period of time. If left on high (8), it will switch off after one hour if no control changes are made. This time period is dependant upon the power level. The lower the power level, the longer the time period (maximum time is 2 hours).

The control will also power off after ten seconds if a heat setting is not selected upon initially applying power to the cooktop.



# WARRANTY

Kenyon International, Inc (the "Company") warrants its products in normal usage to be free of defects in materials and workmanship subject to the conditions and limitation below.

Any part, which proves to be defective in normal usage during the warranty period will be repaired or replaced by the Company.

This warranty covers only ceramic glass cooktops and is subject to the following conditions and limitations:

1. The Company's liability shall be limited to repair or replacement (choice of remedy at Company's option) of goods or parts as may be defective in materials or workmanship. This liability is limited to three years from the date of original installation; this warranty covers labor and parts.
2. Determination of suitability of the product for the use contemplated by the buyer is the sole responsibility of the buyer and the Company shall have no responsibility in connection with such suitability.
3. The Company shall not be liable for any damage resulting from:
  - failures due to use of the products in applications for which they are not intended
  - failures due to corrosion, wear and tear, abuse or improper installation or maintenance
4. The Company shall be responsible for ground shipping charges to the location of the appliance (home) within the continental United States and Canada. Any other or express or special shipping charges are at the expense of the buyer.
5. All labor allowed by the Company under this warranty must be performed by an authorized Kenyon International service center, unless otherwise specified in writing by the Company.

THERE ARE NO OTHER WARRANTIES OF MERCHANTABILITY, FITNESS FOR PURPOSE OR ANY OTHER KIND, EXPRESSED OR IMPLIED AND NONE SHALL BE IMPLIED BY LAW. The duration of any such warranties that are nevertheless implied by law for the benefit of a consumer, shall be limited to a period of three years from original purchase by the user. Some countries or states do not allow limitations on how long an implied warranty lasts, so this limitation may not apply to you.

THE COMPANY SHALL NOT BE LIABLE FOR CONSEQUENTIAL OR INCIDENTAL DAMAGES ARISING FROM THE BREACH OF THIS WARRANTY, WHETHER EXPRESS, IMPLIED OR STATUTORY. Some countries or states do not allow exclusion or limitation of consequential or incidental damages so this limitation or exclusion may not apply to you.

THIS WARRANTY GIVES YOU SPECIFIC LEGAL RIGHTS AND YOU MAY ALSO HAVE OTHER LEGAL RIGHTS THAT MAY VARY FROM COUNTRY TO COUNTRY AND STATE TO STATE.

Kenyon International, Inc.  
P.O. Box 925 · 8 Heritage Park Road · Clinton, CT USA  
Phone (860) 664-4906 FAX: (860) 664-4907  
Email: [customercare@cookwithkenyon.com](mailto:customercare@cookwithkenyon.com)