

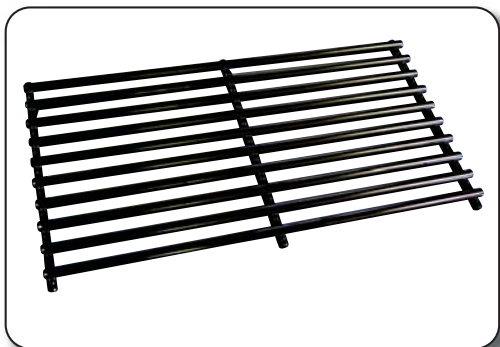
Manufacturers & Distributors of Quality Stainless Steel Electric Grills

**Electri - Chef®**

FLAMELESS ELECTRIC GRILLS

**8800-EC-1056-CB-D-48"**

**Shelf  
Assembly  
Required**



Porcelain Coated Cooking Grids



2 Cool-Touch Handles



Dual 10-60 Minute Timers

**Built in Texas by Texans**

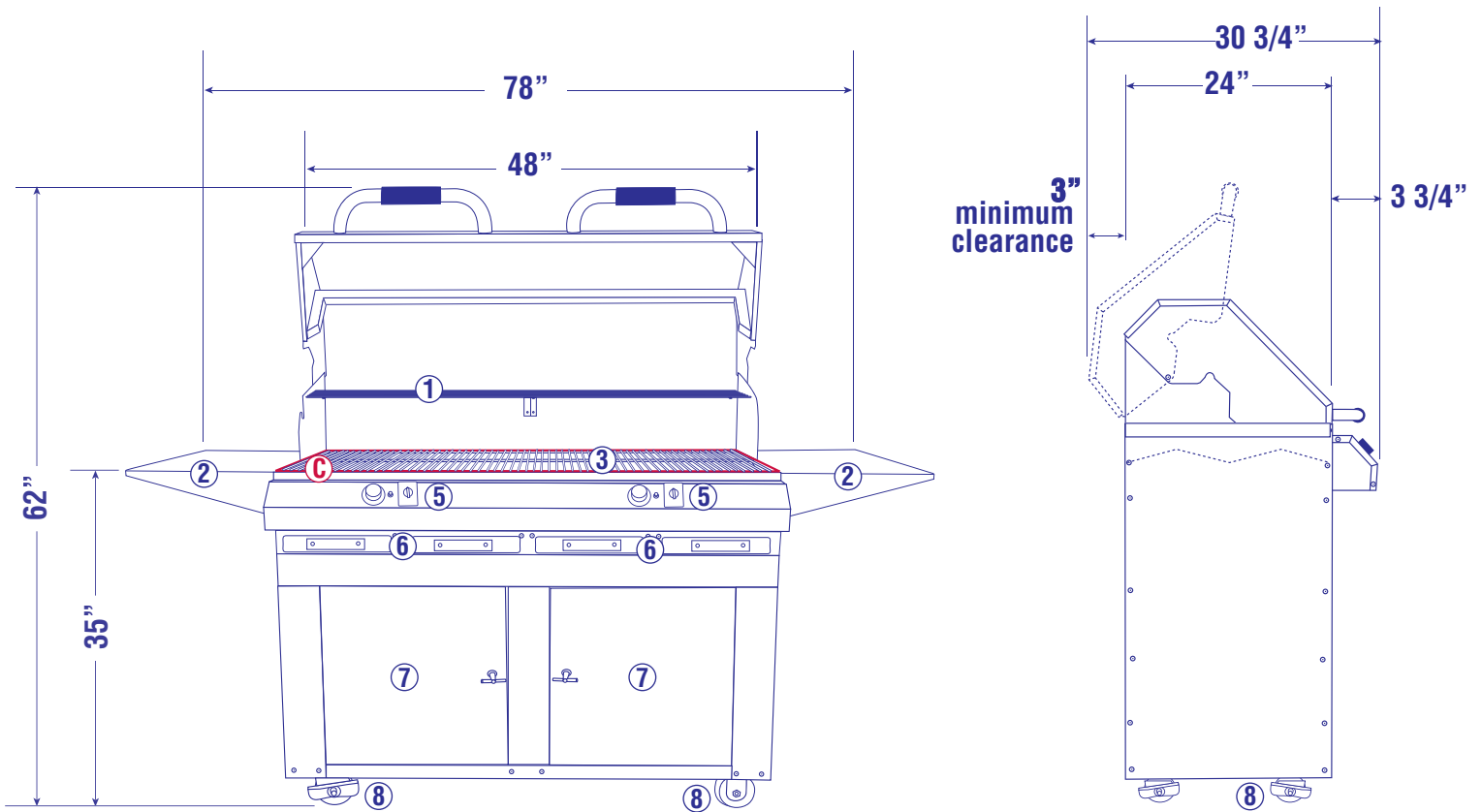
See back for more information



No Open Flame

800-442-7207 • 254-778-7730 • [www.electri-chef.com](http://www.electri-chef.com) • e-mail: [info@electri-chef.com](mailto:info@electri-chef.com)

# 8800-EC-1056-CB-D-48"



## Standard Features

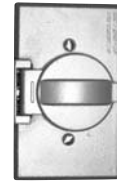
- 18 Gauge, 304 Stainless Steel, #3 Finish
- Grill Dimensions
  - 78" Wide (Left to Right with shelves up)
  - 24" Deep (Front to Back - requires 3" minimum clearance in back for open hood)
  - 35" High (Floor to Cooking Area - 62" with lid open)
  - Adjustable Cooking Temperature from 150° - 600°

- Ⓢ Cooking Area 1056 sq. in. (22" x 48")
- ① Stainless Steel Warming Rack (2)
- ② Fixed Side Shelves (2)
- ③ Porcelain Coated Cooking Grids (4)
- ④ Stainless Steel Heat-Flavor Plate
- ⑤ Dual 10-60 Minute Timers
- ⑥ Removable Grease Trays (4)
- ⑦ Stainless Steel Doors (2: 18" x 18" with T-handle)
- ⑧ Four Casters (2 locking)

## Required Outlet NEMA 6-50R Receptacle



208/220 Volt 50 Amp receptacle  
50/60 Hz  
(use with 40 Amp breaker)



w/ weathercap

## Warranties

**LIFETIME WARRANTED** - The Stainless Steel Grill Assemblies and Cooking Grids of this product are warranted for the lifetime of the original consumer purchaser from the date of purchase, against defects in materials and workmanship.

**1 YEAR WARRANTED** - All other components, electrical or mechanical are warranted to the original consumer purchaser for a minimum of one (1) year from the date of purchase or the warranty time of the manufacture of the component, electrical or mechanical, which ever warranty time period is longer, against defects in materials and workmanship.



*When only the best will do!*



No Open Flame