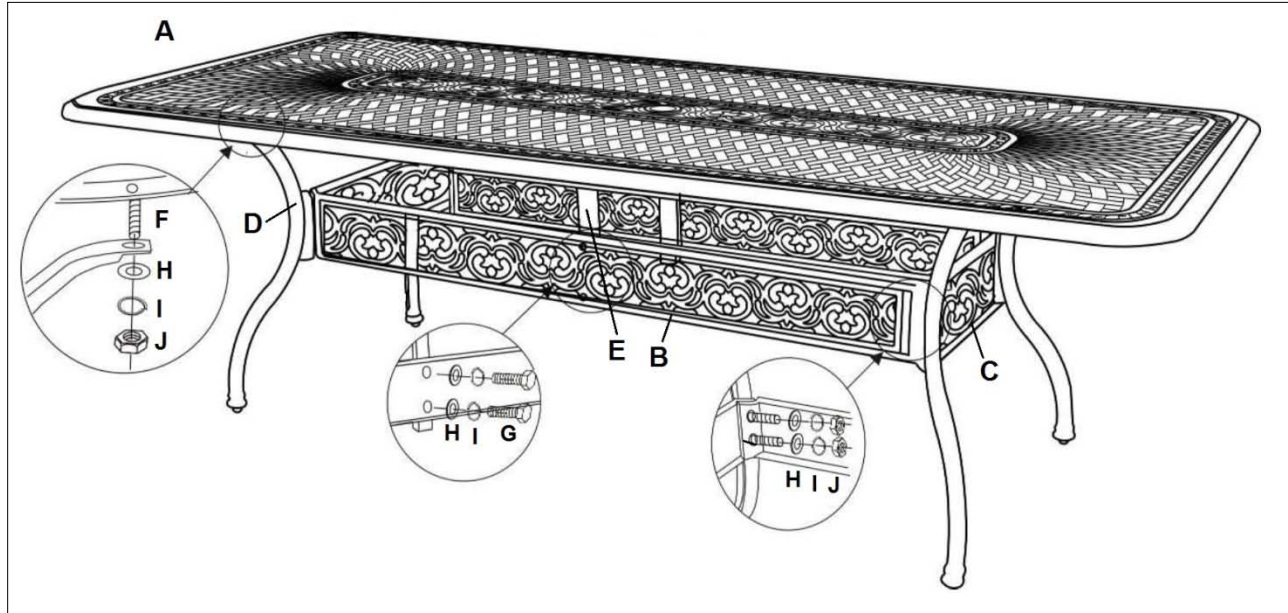




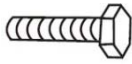


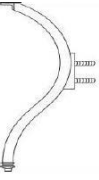




# Assembly Instructions

## BEFORE YOU BEGIN:

1. Identify all parts in the box against the "Parts" List.
2. Remove all protective material carefully and avoid cutting the surface of the furniture while removing wrapped material.



Part		Description	Qty	Part		Description	Qty
A		Table Top	1	E		Middle Leg	2
				F		Headless Bolt	6
B		Long Center Plate	2	G		Bolt	4
C		Short Center Plate	2	H		Flat Washer	18
D		Side Leg	4	I		Lock Washer	18
				J		Nut	14

# **Assembly Instructions**

(FOR 201060-XL)

## **ATTENTION:**

1. **DO NOT** use power tools or over-tighten hardware during assembly.\*  
\*Aluminum is soft metal, so over-tightening may strip threads or break the parts.
2. Please read these instructions carefully before assembling.
3. During assembly, place furniture against soft surfaces to avoid scratching the paint/ metal.

## **ASSEMBLY STEPS:**

1. Place the **TABLETOP (A)** upside down onto a clean and soft, non-abrasive surface.
2. Screw the short side of the **HEADLESS BOLTS (F)** into the 6 holes of the **TABLETOP**.
3. Loosely attach the **SIDE LEGS (D)** to the outermost holes, and **MIDDLE LEGS (E)** to the innermost holes of the **TABLETOP** using **FLAT WASHERS (H)**, **LOCK WASHERS (I)**, and **NUTS (J)**. \*Do not tighten at this time.
4. Loosely secure the **LONG & SHORT CENTER PLATES (C & D)** to the **SIDE LEGS (D)** using **FLAT WASHERS (H)**, **LOCK WASHERS (I)**, and **NUTS (J)**. \*Do not tighten at this time.

### **\*\*\*CAUTION\*\*\***

When securing the center plates to the legs, the FLAT side of the center plate always goes on to the leg first. The CURVED side of the adjacent center plate goes onto the leg **AFTER** the FLAT side is on.

5. Attach the **LONG CENTER PLATES (B)** to the **MIDDLE LEGS (E)** using **BOLTS (G)**, **FLAT WASHERS (H)**, and **LOCK WASHER (I)**.
6. Progressively tighten all nuts and bolts until secure.
7. Flip the table onto its legs.
8. If needed, you may use the adjustable feet to level out the table.

## **CARE INSTRUCTIONS:**

Please **DO NOT** use acid or alkaline washing liquids to clean this product. Harsh cleaners can cause the powder-coated finish to stain and fade. Use a soft towel with mild liquid soap and water to clean the product, and dry with a soft cloth.