

**INSTALLER: LEAVE THIS MANUAL WITH THE APPLIANCE.
CONSUMER: RETAIN THIS MANUAL FOR FUTURE REFERENCE.**



INSTALLATION AND OPERATING INSTRUCTIONS

CERTIFIED UNDER U.S. ENVIRONMENTAL PROTECTION AGENCY (E.P.A.) JULY 1990 AND THE OREGON DEPARTMENT OF ENVIRONMENTAL QUALITY (D.E.Q.) PARTICULATE EMISSION STANDARDS BY E.E.M.C. THESE STOVES HAVE BEEN TESTED AND LISTED BY WARNOCK HERSEY LTD. TO STANDARDS : UL 1482 / ULC-S627. MODEL 1600C-1 HAS BEEN TESTED AND LISTED FOR INSTALLATION IN MOBILE HOMES.

MODEL 1600C-1

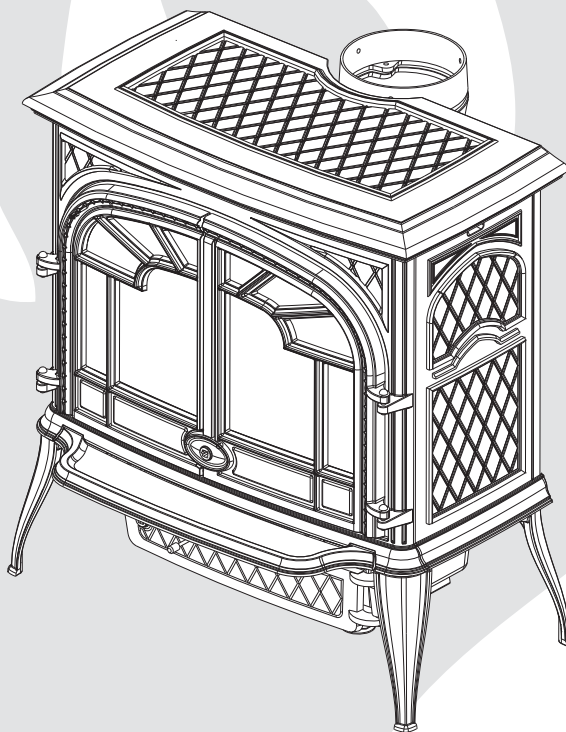
SAFETY INFORMATION

WARNING

If the information in these instructions are not followed exactly, a fire or explosion may result causing property damage, personal injury or death.

Please read entire manual before you install and use your heater. This heater has not been tested with an unvented gas log set. To reduce risk of fire or injury, do not install an unvented gas log set into the heater.

- This heater can be very hot when burning.
- Combustible materials such as firewood, wet clothing, etc. placed too close can catch fire.
- Children and pets must be kept from touching the heater when it is hot.
- The chimney must be sound and free of cracks. Before installing this unit, contact the local building or fire authority and follow their guidelines.
- Operate only with the doors tightly closed.
- Burn wood behind the log retainer directly on the firebricks.
- Do not use an elevated grate or otherwise raise the fire.
- This heater is designed to burn natural wood only. Higher efficiencies and lower emissions generally result when burning air dried seasoned hardwoods, as compared to softwoods or to green or freshly cut hardwoods.
- Do not start a fire with chemicals or fluids such as gasoline, engine oil, etc.
- Do not burn treated wood, coal, charcoal, coloured paper, cardboard, solvents or garbage.
- Do not let the heater become hot enough for any part to glow red.
- **KEEP STOVE TOP TEMPERATURES BELOW 700°F (371°C).** Attempts to achieve heat output rates that exceed design specifications can result in metal distortion and damage.



APPLY SERIAL NUMBER LABEL FROM CARTON



Wolf Steel Ltd., 24 Napoleon Rd., Barrie, ON, L4M 4Y8 Canada /
103 Miller Drive, Crittenden, Kentucky, USA, 41030
Phone (705)721-1212 • Fax (705)722-6031 • www.napoleonfireplaces.com • ask@napoleon.on.ca

TABLE OF CONTENTS

1.0	INTRODUCTION	3
1.1	WARNINGS & SAFETY PRECAUTIONS	3
1.2	WARRANTY	4
1.3	DIMENSIONS	5
1.4	SPECIFICATIONS	5
1.5	INSTALLATION OVERVIEW	6
1.6	GENERAL INFORMATION	7
1.7	GENERAL INSTRUCTIONS	8
1.8	CALIFORNIA PROP 65	8
2.0	INSTALLATION	8
2.1	CLEARANCE TO COMBUSTIBLES WITHOUT REAR SHIELD	9
2.1.1	ALCOVE INSTALLATION	9
2.1.2	STOVE INSTALLATION	9
2.2	CHIMNEY	10
2.2.1	CHIMNEY CONNECTION	10
2.2.2	ADDING CHIMNEY SECTIONS	11
2.2.3	TYPICAL THROUGH THE CEILING	12
2.2.4	TYPICAL THROUGH THE WALL	13
2.2.5	TYPICAL EXISTING MASONRY	14
2.3	FLUE COLLAR REVERSAL	14
2.4	ASH FENDER INSTALLATION	15
2.5	HEAT SHIELD INSTALLATION	15
2.6	EPRS OPTIONAL REAR SHIELD INSTALLATION	15
2.7	EP65 OPTIONAL BLOWER INSTALLATION	16
2.8	EP90-K OPTIONAL SCREEN KIT	16
2.9	OPTIONAL OUTSIDE AIR KIT INSTALLATION	17
2.10	MOBILE HOME REQUIREMENTS	17
3.0	OPERATION	18
3.1	WHEN LIT FOR THE FIRST TIME	19
3.2	DRAFT	20
3.3	FIRE EXTINGUISHERS / SMOKE DETECTORS	20
3.4	FUEL	20
3.5	LIGHTING A FIRE	20
3.5.1	FLASH FIRE	20
3.5.2	EXTENDED FIRE	21
4.0	MAINTENANCE	21
4.1	ASH REMOVAL PROCEDURES	21
4.2	CREOSOTE FORMATION AND REMOVAL	21
4.3	RUNAWAY OR CHIMNEY FIRE	22
4.4	CHIMNEY CLEANING	22
4.5	CARE OF GLASS	22
4.6	DOOR REMOVAL	23
4.7	GLASS REPLACEMENT	23
4.8	WOOD	24
5.0	REPLACEMENTS	25
6.0	SERVICE HISTORY	28
7.0	NOTES	29


NOTE: Changes, other than editorial, are denoted by a vertical line in the margin.

1.0 INTRODUCTION


1.1 WARNINGS & SAFETY PRECAUTIONS



Before installing this unit, contact the local building or fire authority and follow their guidelines.




Operate only with the doors tightly closed.




This appliance must be installed by a qualified installer. Follow the installation directions.

Do not operate without fully assembling all components.




This appliance can be very hot when burning. Children and pets must be kept from touching the appliance when it is hot.

Contact your local authorized dealer/distributor for safety screens that may be available for this product.




If this appliance is not properly installed, a house fire may result.

Do not expose the appliance to the elements (ex. rain, etc.) and keep the appliance dry at all times. Wet insulation will produce an odor when the appliance is used.




Combustible materials such as firewood, wet clothing, etc. placed too close can catch fire. Objects placed in front of the fireplace must be kept a minimum of 48" from the front face of the unit.




The chimney must be sound and free of cracks. Clean your chimney a minimum of twice a year and as required.



Do not let the fireplace become hot enough for any part to glow red.




This appliance is designed to burn natural wood only. Do not burn treated wood, coal, charcoal, coloured paper, cardboard, solvents or garbage. This appliance has not been tested with an unvented gas log set. To reduce risk of fire or injury, do not install an unvented gas log set into the appliance.




Higher efficiencies and lower emissions generally result when burning air dried seasoned hardwoods, as compared to softwoods or too green or freshly cut hardwoods.

Burning wet unseasoned wood can cause excessive creosote accumulation. When ignited it can cause a chimney fire that may result in a serious house fire.



Do not start a fire with chemicals or fluids such as gasoline, engine oil, etc.



Burn wood behind the log retainer directly on the firebricks. Do not use elevated grate or otherwise raise the fire.

Do not store wood within appliance installation clearances or within the space required for re-fueling and ash removal.

1.2 WARRANTY

NAPOLEON® products are manufactured under the strict Standard of the world recognized ISO 9001 : 2000 Quality Assurance Certificate.

NAPOLEON® products are designed with superior components and materials, assembled by trained craftsmen who take great pride in their work. The complete fireplace is again thoroughly inspected by a qualified technician before packaging to ensure that you, the customer, receives the quality product that you expect from NAPOLEON®.

NAPOLEON® WOOD FIREPLACE PRESIDENT'S LIFETIME LIMITED WARRANTY

The following materials and workmanship in your new NAPOLEON® wood fireplace are warranted against defects for as long as you own the fireplace. This covers: combustion chamber, heat exchanger, stainless steel baffle retainer, ceramic glass (thermal breakage only), gold plated parts against tarnishing, porcelainized enameled components, aluminum extrusion trims ash drawer and cast iron castings.

Electrical (110V) components and wearable parts such as blowers, thermal switch, switches, wiring, firebrick, and gasketing are covered and NAPOLEON® will provide replacement parts free of charge during the first year of the limited warranty.

Labour related to warranty repair is covered free of charge during the first year. Repair work, however, requires the prior approval of an authorized company official. Labour costs to the account of NAPOLEON® are based on a predetermined rate schedule and any repair work must be done through an authorized NAPOLEON® dealer.

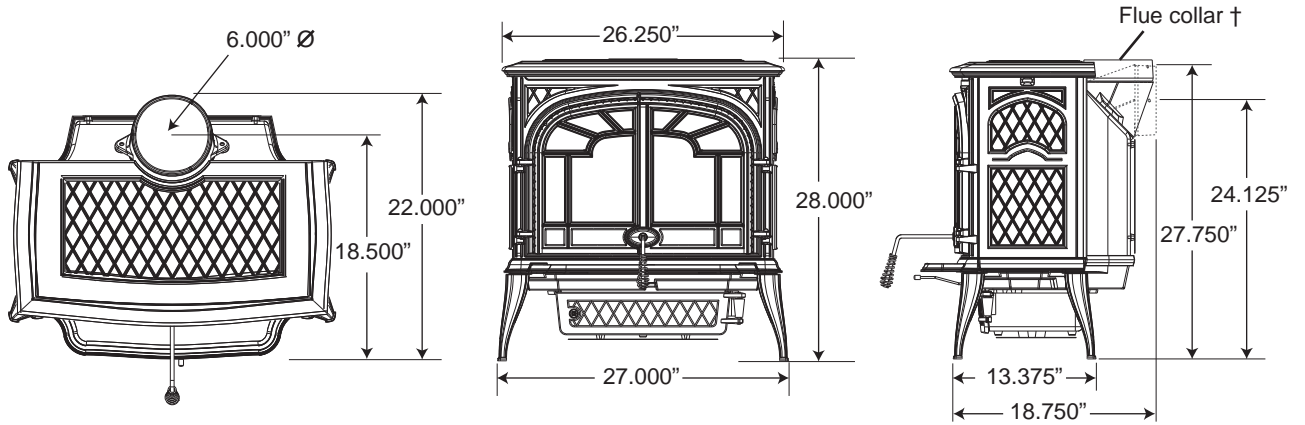
CONDITIONS AND LIMITATIONS

NAPOLEON® warrants its products against manufacturing defects to the original purchaser only. Registering your warranty is not necessary. Simply provide your proof of purchase along with the model and serial number to make a warranty claim. Provided that the purchase was made through an authorized NAPOLEON® dealer your fireplace is subject to the following conditions and limitations: This factory warranty is non-transferable and may not be extended whatsoever by any of our representatives. The wood fireplace must be installed by an authorized service technician or contractor. Installation must be done in accordance with the installation instructions included with the product and all local and national building and fire codes. This limited warranty does not cover damages caused by misuse, lack of maintenance, accident, alterations, abuse or neglect and parts installed from other manufacturers will nullify this warranty. This limited warranty further does not cover any scratches, dents, corrosion or discoloring caused by excessive heat, abrasive and chemical cleaners nor chipping on porcelain enamel parts, nor any venting components used in the installation of the fireplace. In the first year only, this warranty extends to the repair or replacement of warranted parts which are defective in material or workmanship provided that the product has been operated in accordance with the operation instructions and under normal conditions. After the first year, with respect to the President's Lifetime Limited Warranty, NAPOLEON® may, at its discretion, fully discharge all obligations with respect to this warranty by refunding to the original warranted purchaser the wholesale price of any warranted but defective part(s). After the first year, NAPOLEON® will not be responsible for installation, labour or any other costs or expenses related to the reinstallation of a warranted part, and such expenses are not covered by this warranty. Notwithstanding any provisions contained in the President's Lifetime Limited Warranty, NAPOLEON's responsibility under this warranty is defined as above and it shall not in any event extend to any incidental, consequential or indirect damages. This warranty defines the obligations and liability of NAPOLEON® with respect to the NAPOLEON® wood fireplace and any other warranties expressed or implied with respect to this product, its components or accessories are excluded. NAPOLEON® neither assumes, nor authorizes any third party to assume, on its behalf, any other liabilities with respect to the sale of this product. NAPOLEON® will not be responsible for: over-firing, downdrafts, spillage caused by environmental conditions such as rooftops, buildings, nearby trees, hills, mountains, inadequate vents or ventilation, excessive venting configurations, insufficient makeup air, or negative air pressures which may or may not be caused by mechanical systems such as exhaust fans, furnaces, clothes dryers, etc. Any damages to fireplace, combustion chamber, heat exchanger, brass trim or other component due to water, weather damage, long periods of dampness, condensation, damaging chemicals or cleaners will not be the responsibility of NAPOLEON®. NAPOLEON® reserves the right to have its representative inspect any product or part thereof prior to honouring any warranty claim.

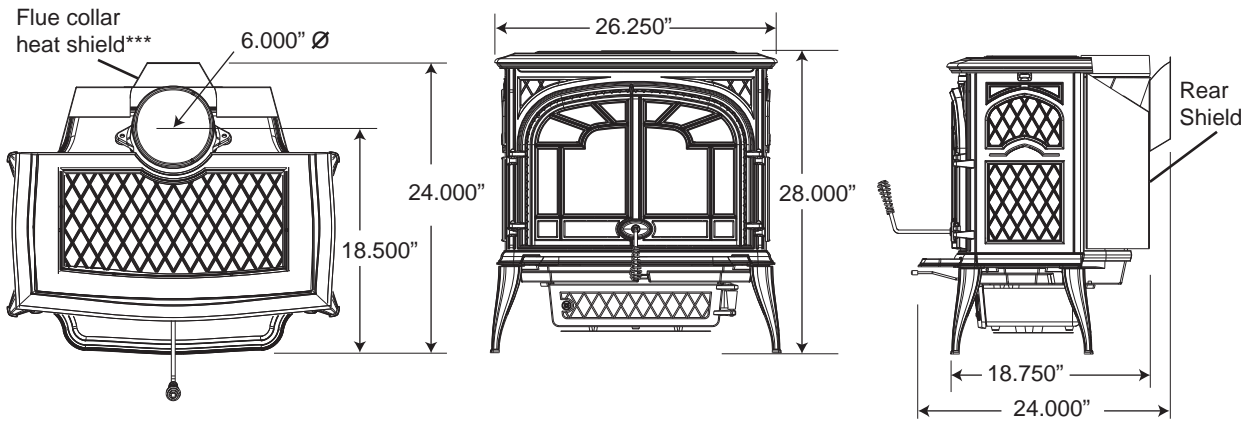
ALL SPECIFICATIONS AND DESIGNS ARE SUBJECT TO CHANGE WITHOUT PRIOR NOTICE DUE TO ON-GOING PRODUCT IMPROVEMENTS. NAPOLEON® IS A REGISTERED TRADEMARK OF WOLF STEEL LTD. PATENTS U.S. 5.303.693.801 - CAN. 2.073.411, 2.082.915. © WOLF STEEL LTD.

1.3 DIMENSIONS

Dimensions without optional rear shield



Dimensions with optional rear shield



1.4 SPECIFICATIONS

SPECIFICATIONS	MODEL 1600C-1
WIDTH X DEPTH	27.000" X 24.000"
HEIGHT	28.000"
REAR FLUE HEIGHT	27.750"
CHAMBER (D.W.H.)	11.900" X 20.400" X 10.400"
CAPACITY (CUBIC FEET)	1.460 FT ³
APP. AREA HEATED *	600-1200 FT ²
HEAT OUTPUT (HIGH BURN) **	50,000 BTU
DURATION LOW FIRE	7 HR
WEIGHT	330 LB

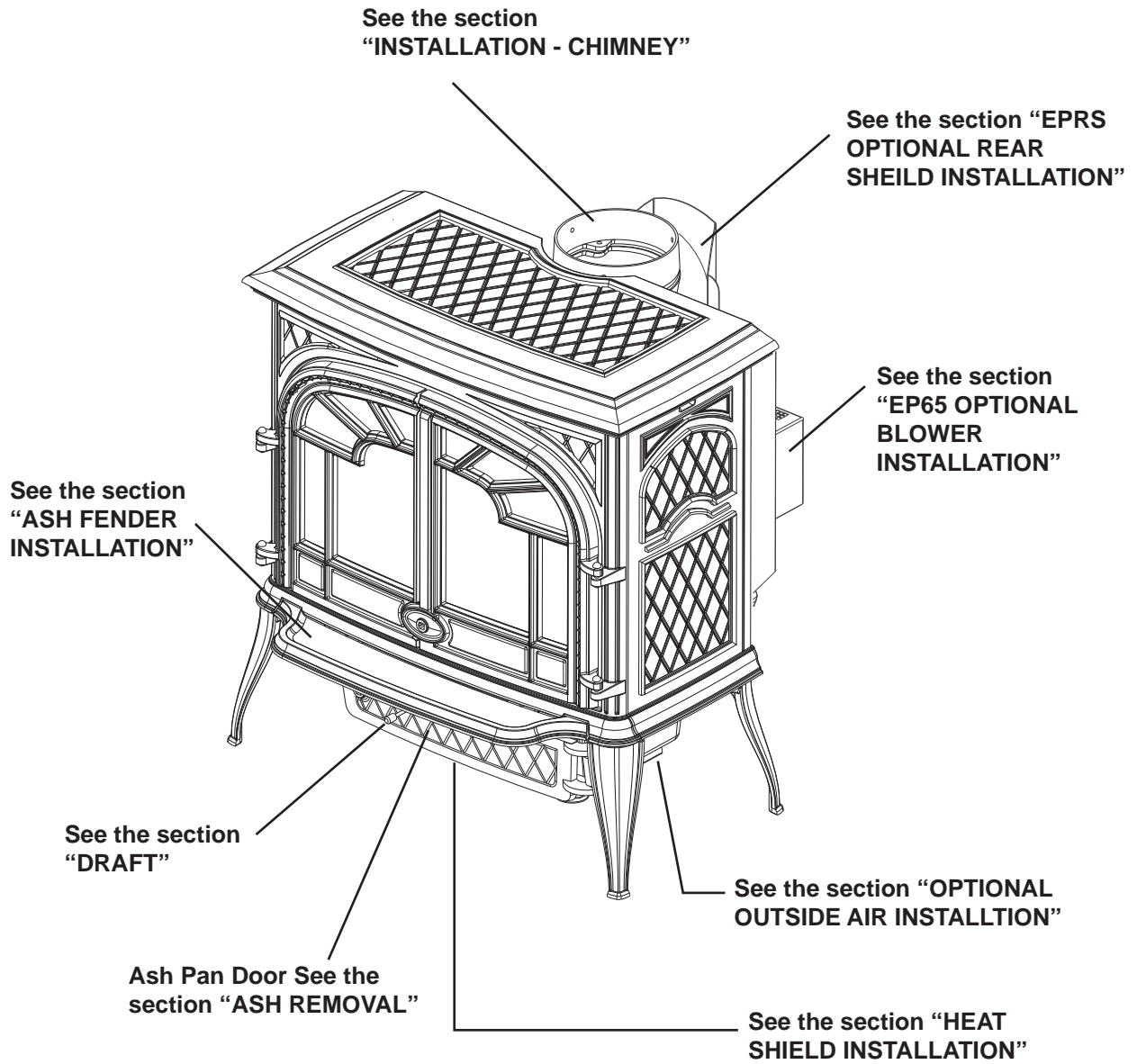
* Figures will vary considerably with individual condition.

** Wolf Steel Ltd. estimated realistic BTU/h with hardwood logs and regular refueling.

*** Required for top exit venting.

† Flue collar is able to be installed as either top exit or side exit.

1.5 INSTALLATION OVERVIEW



1.6 GENERAL INFORMATION

! WARNING
ALL WIRING SHOULD BE DONE BY A QUALIFIED ELECTRICIAN AND SHALL BE IN COMPLIANCE WITH LOCAL CODES. IN THE ABSENCE OF LOCAL CODES, USE THE CURRENT CSA C22.1 CANADIAN ELECTRIC CODE (IN CANADA) OR THE ANSI/NFPA NO. 70 NATIONAL ELECTRIC CODE IN THE UNITED STATES.
BURNING YOUR APPLIANCE WITH THE ASH WELL OPEN OR THE ASH DOOR AJAR CREATES A FIRE HAZARD, INTERNAL DAMAGE TO THE APPLIANCE OR A HOUSE AND/OR CHIMNEY FIRE.
DO NOT CONNECT THIS APPLIANCE TO A CHIMNEY FLUE SERVING ANOTHER APPLIANCE.
PROVIDE ADEQUATE ACCESSIBILITY CLEARANCE FOR SERVICING AND OPERATING THE APPLIANCE.
PROVIDE ADEQUATE VENTILATION.
NEVER OBSTRUCT THE FRONT OPENING OF THE APPLIANCE.
OBJECTS PLACED IN FRONT OF THE FIREPLACE MUST BE KEPT A MINIMUM OF 48" FROM THE FRONT FACE OF THE APPLIANCE.

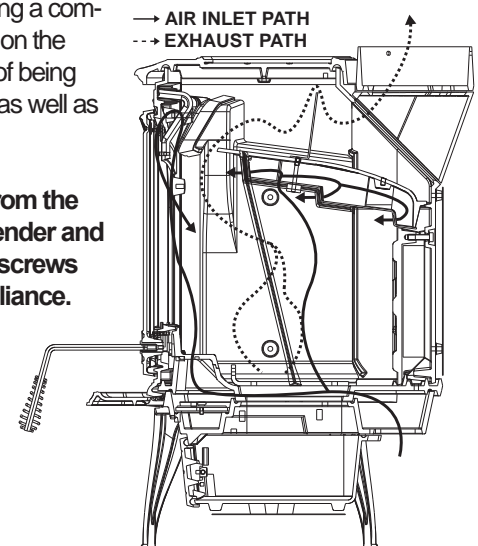
The 1600C-1 was specifically designed over many months of research to meet the 1990 U.S.A. EPA particulate emission standards and has been extensively tested in Canadian laboratories. This system is the most efficient, simple and trouble free we know and works as follows:

The 1600C-1 is designated as a continuous wood burning heating appliance having a combustion chamber enclosed with cast brick walls where all fuel is meant to be burnt on the bottom of the combustion chamber. It is a top and rear vented appliance capable of being installed near a wall. It has an adjustable air control for controlling the burning rate as well as a large ash-pan.

NOTE: The following items supplied with the appliance must be removed from the firebox before attempting to operate the appliance : door handle tool, ash fender and installation hardware. After removing the appliance from the pallet, use the screws (supplied with the appliance) to install the heat shield to the base of the appliance.

The 1600C-1 is designed to be operated with both the main and ash door closed. The heat produced is mainly transmitted through the window and the body of the appliance. Combustion occurs on the bottom of the combustion chamber with a draft entry through the top of the combustion chamber. Be sure to provide sufficient combustion air. There are many other appliances in your home competing for air such as : a kitchen range hood, forced air heating devices or a bathroom exhaust fan. Expansion/contraction noises during heating up and cooling down cycles are normal and to be expected. After extended periods of non-operation such as following a vacation or a warm weather season, the appliance may emit a slight odour for a few hours. This is caused by dust particles in the firebox burning off. Open a window to sufficiently ventilate the room.

If the outside air feature of the appliance is utilized, you should never experience a shortage of combustion air. If you choose not to utilize outside air and experience draft or smoking problems, you may need to open a door or window or otherwise provide some method of supplying combustion air to the appliance.



NATIONAL FIREPLACE INSTITUTE
NFI
CERTIFIED
www.nficertified.org

We suggest that our woodburning hearth products be installed and serviced by professionals who are certified in the U.S. by the National Fireplace Institute® (NFI) as NFI Woodburning Specialists or who are certified in Canada by Wood Energy Technical Training (WETT).

Wood Energy Technical Training
www.wettinc.ca


1.7 GENERAL INSTRUCTIONS

- Before beginning your installation, consult with your local building code agency or fire officials and insurance representative to ensure compliance.
- Non-toxic smoke will be emitted during the paint curing process, to help dissipate the smoke open a window near the appliance.
- Remove any dust or debris off the top of the appliance before firing the appliance as the paint will become soft as the appliance heats up and will harden as the appliance cures. To cure the paint on your appliance burn your appliance moderately hot during the first few fires.
- To keep the gasket from sticking to the appliance as the paint is curing, periodically open the door every 5-10 minutes.
- For the first two weeks use generous amounts of fuel and burn the appliance with the damper wide open for an hour as the appliance goes through a process of eliminating moisture in the steel. The initial heat output will be reduced while the moisture is being drawn from the appliance and it will be necessary to build several hot fires to remove this moisture. **DURING THIS PROCESS DO NOT OVERFIRE THE APPLIANCE. REDUCE THE AMOUNT OF AIR COMING INTO THE APPLIANCE IF THE APPLIANCE OR CHIMNEY BECOMES RED.**

1.8 CALIFORNIA PROP 65

Use of this product may produce smoke which contains chemicals known to the State of California to cause cancer, birth defects, or other reproductive harm.

2.0 INSTALLATION

 **WARNING**

WEAR GLOVES AND SAFETY GLASSES FOR PROTECTION.

CAREFULLY FOLLOW THE INSTRUCTIONS FOR ASSEMBLY OF THE PIPE AND OTHER PARTS NEEDED TO INSTALL THE APPLIANCE. FAILURE TO DO SO MAY RESULT IN A FIRE, ESPECIALLY IF COMBUSTIBLES ARE TOO CLOSE TO THE APPLIANCE OR CHIMNEY AND AIR SPACES ARE BLOCKED, PREVENTING THE FREE MOVEMENT OF COOLING AIR.

DO NOT DRAW OUTSIDE AIR FROM GARAGE SPACES. EXHAUST PRODUCTS OF GASOLINE ENGINES ARE HAZARDOUS.

DO NOT INSTALL OUTSIDE AIR DUCTS SUCH THAT THE AIR MAY BE DRAWN FROM ATTIC SPACES, BASEMENTS OR ABOVE THE ROOFING WHERE OTHER HEATING APPLIANCES OR FANS AND CHIMNEYS EXHAUST OR UTILIZE AIR. THESE PRECAUTIONS WILL REDUCE THE POSSIBILITY OF APPLIANCE SMOKING OR AIR FLOW REVERSAL. THE OUTSIDE AIR INLET MUST REMAIN CLEAR OF LEAVES, DEBRIS ICE AND/OR SNOW. IT MUST BE UNRESTRICTED WHILE APPLIANCE IS IN USE TO PREVENT ROOM AIR STARVATION WHICH CAN CAUSE SMOKE SPILLAGE AND AN INABILITY TO MAINTAIN A FIRE. SMOKE SPILLAGE CAN ALSO SET OFF SMOKE ALARMS.

TO PREVENT CONTACT WITH SAGGING OR LOOSE INSULATION, THE APPLIANCE MUST NOT BE INSTALLED AGAINST VAPOUR BARRIERS OR EXPOSED INSULATION. LOCALIZED OVERHEATING COULD OCCUR AND A FIRE COULD RESULT.

DO NOT USE MAKESHIFT COMPROMISES DURING INSTALLATION. DO NOT BLOCK OR RESTRICT AIR, GRILLE OR LOUVRE OPENINGS. DO NOT ADD A HOOD.

For reduced clearances installation must comply with CAN/CSA-B365 in Canada or NFPA 211 in the United States. For clearances when installed with rear shield, see "EPRS OPTIONAL REAR SHIELD INSTALLATION" section.

Where passage through a wall, or partition of combustible construction is desired, the installation shall conform to CAN/CSA-B365 in Canada or NFPA 211 in the United States.

2.1 CLEARANCE TO COMBUSTIBLES

! WARNING

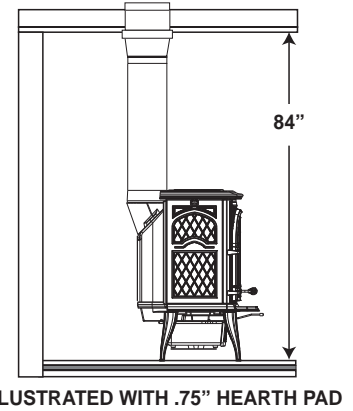
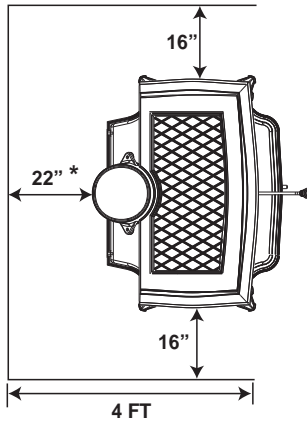
DO NOT INSTALL INTO ANY AREA HAVING LESS THAN 7 FEET (CEILING OF ENCLOSURE TO APPLIANCE BOTTOM, EXCLUDING HEARTH HEIGHT).

2.1.1 ALCOVE INSTALLATION

Model 1600C-1 may be installed into an alcove having a depth of not more than 4 feet and a height of at least 7 feet, when using a listed double wall connector that is rated for a minimum 12" clearance to combustible material.

Walls shall not extend from the front of the appliance when installed in the alcove configuration.

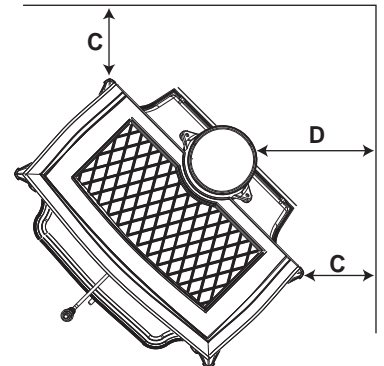
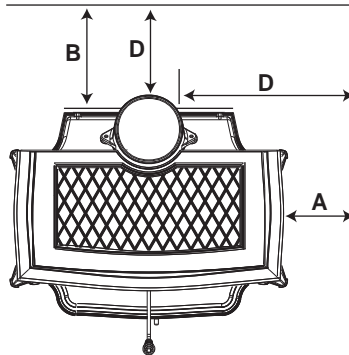
* May be reduced to 16" if EPRS is used.



2.1.2 STOVE INSTALLATION USING SINGLE OR DOUBLE WALL CONNECTORS WITH OR WITHOUT REAR SHIELD.

MINIMUM CLEARANCES TO APPLIANCE				
TYPE	WITHOUT REAR SHIELD		WITH REAR SHIELD	
	SINGLE	DOUBLE	SINGLE	DOUBLE
A	16"	16"	16"	16"
B	24"	18"	16"	12"
C	15"	11"	15"	11"
D	25"	18"	25"	18"

IMPORTANT: When using a double wall connector it must be listed for a minimum clearance of 12" or less.



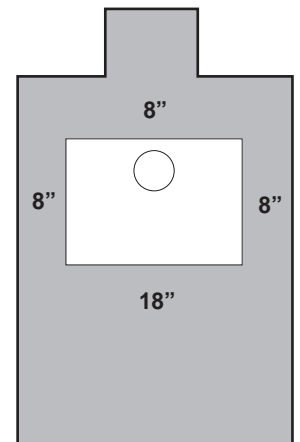
2.2 FLOOR PROTECTION


If the appliance is to be installed on a combustible floor, it must be placed on an approved non-combustible hearth pad, that extends to the wall behind the appliance 8" (200mm) beyond the appliance sides and back, and 18" (455mm) to the front.

NOTE: If a section of horizontal chimney connector is used, floor protection is required under the chimney connector and 2" beyond each side.

Floor protection is required for spark and ash shielding, but not for limiting floor temperatures from the radiant heat of the appliance. The appliance was designed and safety tested so that without any protection, the floor would not overheat.

Refer to local building codes for suitable floor protection materials.



 WARNING
NEVER INSTALL A SINGLE WALL SLIP SECTION OR SMOKE PIPE IN A CHASE STRUCTURE. THE HIGHER TEMPERATURE OF THIS SINGLE WALL PIPE MAY RADIATE SUFFICIENT HEAT TO COMBUSTIBLE CHASE MATERIALS TO CAUSE A FIRE.
DO NOT CONNECT THIS APPLIANCE TO A CHIMNEY SYSTEM SERVING ANOTHER APPLIANCE.
TO AVOID DANGER OF FIRE, ALL INSTRUCTIONS MUST BE STRICTLY FOLLOWED, INCLUDING THE PROVISION OF AIR SPACE CLEARANCE BETWEEN CHIMNEY SYSTEM AND ENCLOSURE. TO PROTECT AGAINST THE EFFECTS OF CORROSION ON THOSE PARTS EXPOSED TO THE WEATHER, WE RECOMMEND THAT THE CHASE TOP BE PAINTED WITH A RUST-RESISTANT PAINT.
DO NOT FILL ANY FRAMED SPACE AROUND THE CHIMNEY WITH INSULATION OR ANY OTHER MATERIAL. INSULATION PLACED IN THIS AREA COULD CAUSE ADJACENT COMBUSTIBLES TO OVERHEAT.
MAINTAIN A MINIMUM 2" AIR CLEARANCE TO ALL PARTS OF THE CHIMNEY SYSTEM AT ALL TIMES. FAILURE TO MAINTAIN THIS 2" AIR CLEARANCE WILL CAUSE A STRUCTURE FIRE. NEVER FILL THIS SPACE WITH ANY TYPE OF MATERIAL.
DETAILED INSTRUCTIONS FOR INSTALLATION OF THE CHASE TOP, STORM COLLAR AND TERMINATION CAP ARE PACKAGED WITH THESE PARTS.
DO NOT CUT RAFTERS OR CEILING JOISTS WITHOUT FIRST CONSULTING A BUILDING OFFICIAL TO ENSURE STRUCTURAL INTEGRITY IS NOT COMPROMISED.
FIRESTOP SPACERS MUST BE USED WHENEVER THE CHIMNEY PENETRATES A CEILING/FLOOR AREA.
THE TOTAL HORIZONTAL VENT LENGTH SHOULD NOT EXCEED 40% OF THE CHIMNEY HEIGHT ABOVE THE STOVE. ALL HORIZONTAL SMOKE PIPE MUST SLOPE SLIGHTLY UPWARDS A MINIMUM OF 1/4" PER FOOT AND ALL CONNECTIONS MUST BE TIGHT AND SECURED BY THREE SHEET METAL SCREWS EQUALLY SPACED. AN UNINSULATED SMOKE PIPE SHALL NOT PASS THROUGH AN ATTIC, ROOF SPACE, CLOSET OR SIMILAR CONCEALED SPACE, OR THROUGH A FLOOR, CEILING, WALL OR PARTITION, OR ANY COMBUSTIBLE CONSTRUCTIONS.
DO NOT USE ANY MAKESHIFT MATERIALS DURING INSTALLATION.

Your appliance may be hooked up with a factory built or masonry chimney. If you are using a factory built chimney, it must comply with ULCS629 (Canada) or UL103 (USA) standards. It must therefore be a 6" HT Type (2100°F) chimney. It is extremely important that it be installed according to the manufacturer's specifications. The manufacturer's installation instructions and specified clearances should always be followed in accordance with local and national codes. In Canada the CSA B365 and the CSA C22.1 installation codes are to be followed. In the USA the ANSI NFPA 70 and ANSI NFPA 211 installation codes are to be followed.

Chimney and chimney connector must be in good condition and kept clean.

2.3.1 CHIMNEY CONNECTION

Your chimney connector and chimney must have the same diameter as the appliance's exhaust outlet. The appliance pipe must be made of aluminized or cold roll steel with a minimum 24 gauge thickness. It is strictly forbidden to use galvanized steel.

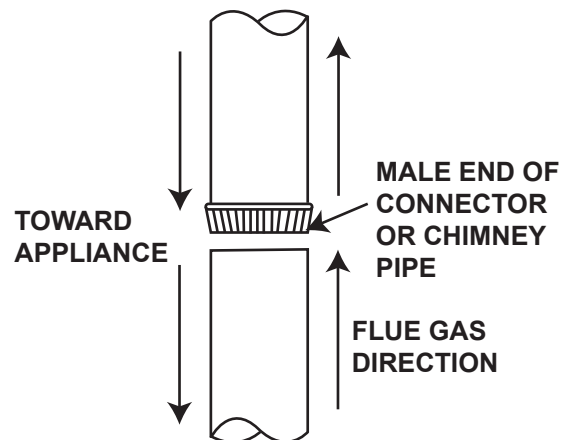
For installation of your chimney connector, the following recommendations may be useful.

- The pipe must be short and straight. For optimum performance it is recommended that all horizontal runs have a minimum 1/4" rise per foot, with the upper end of the section toward the chimney. For safe and proper operation of the appliance, see "INSTALLATION" instructions.
- To insure a good draft, the total horizontal length of the connector should never exceed 8' to 10'. In the case of vertical installation, the total length of the connector can be longer and connected without problem to the chimney at the ceiling level.
- There should never be more than two 90° elbows in the whole connector and chimney system. Never start with a 90° elbow. Always go up vertically for at least 2 feet from the flue before using a 90° elbow.
- The connector must not pass through any combustible material, nor may it pass through a concealed space (such as an attic, roof space, or closet). If passing through a wall, ceiling, or into a masonry chimney, use either chimney components listed for that specific use, or means acceptable to local authorities having jurisdiction over the installation.

A 6" diameter single wall stove pipe, used to connect the appliance to the chimney, must be installed with the crimped end toward the appliance. This will ensure that the moisture which condenses from the burning wood will flow back into the fire chamber. Each joint in the stove pipe must be secured with at least three sheet metal screws.

This room appliance must be connected to:

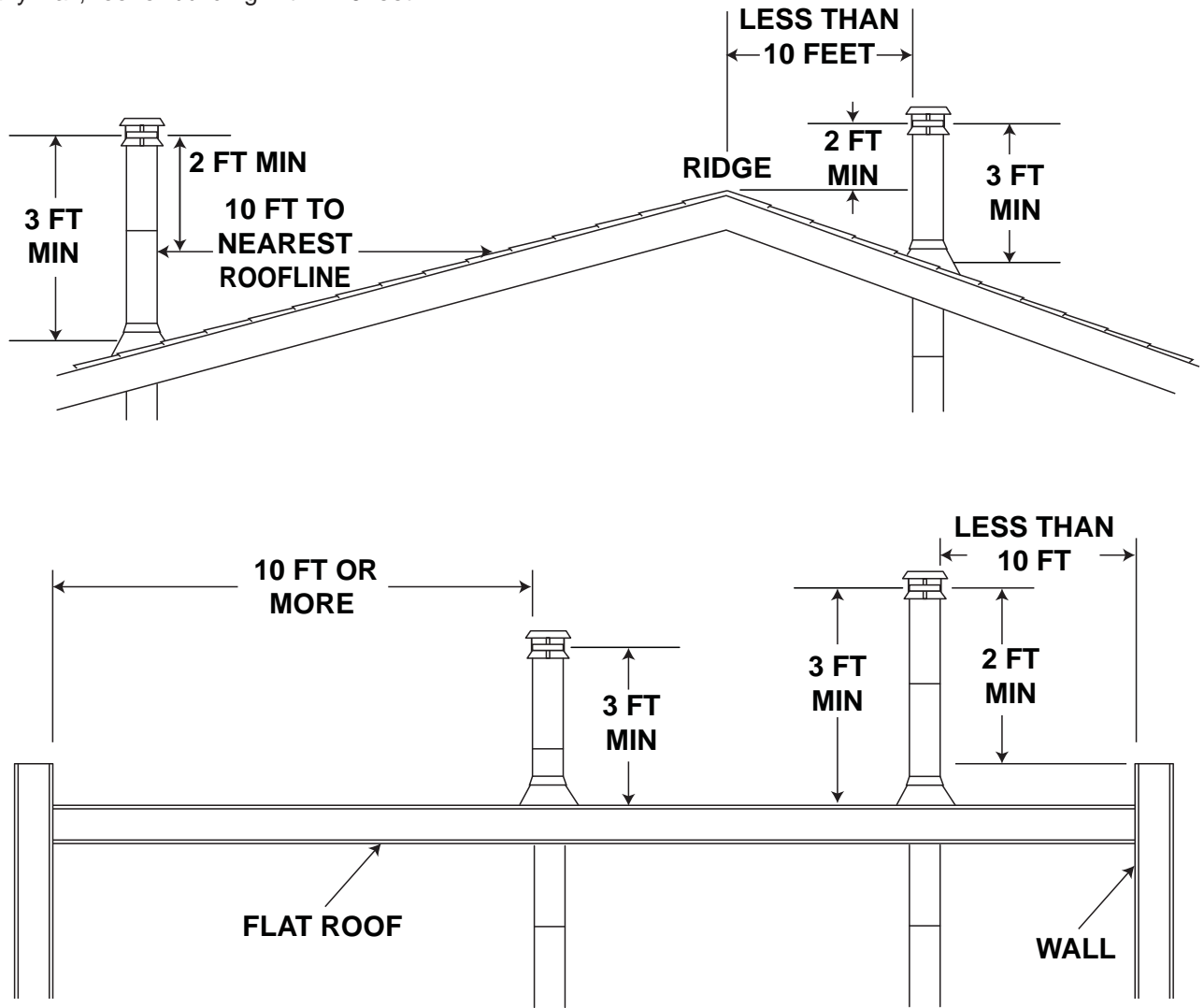
- A chimney complying with the requirements for Type HT chimneys in the Standard for Chimneys, Factory-Built, Residential Type and Building Heating Appliance UL 103, or
- A code-approved masonry chimney with a flue liner. Vent the stove into a masonry chimney or an approved, insulated solid-fuel stainless-steel chimney with as short and straight a length of 6" diameter smoke pipe as possible. Connection to a masonry chimney must be by a metal or masonry thimble cemented in place. An insulated stainless steel chimney must be supported at the ceiling or roof and its installation must comply with its manufacturer's instructions.



58.1

2.2.2 ADDING CHIMNEY SECTIONS

Add chimney sections, according to the manufacturers installation instructions, securely, to the required height. The chimney must extend at least, 3 feet above its point of contact with the roof and at least 2 feet higher than any wall, roof or building within 10 feet.



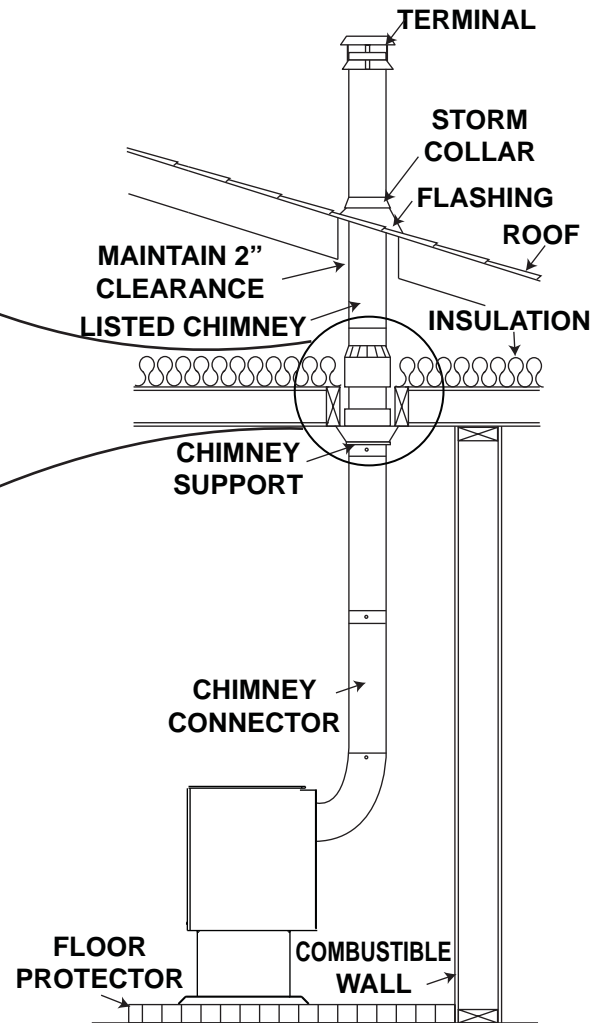
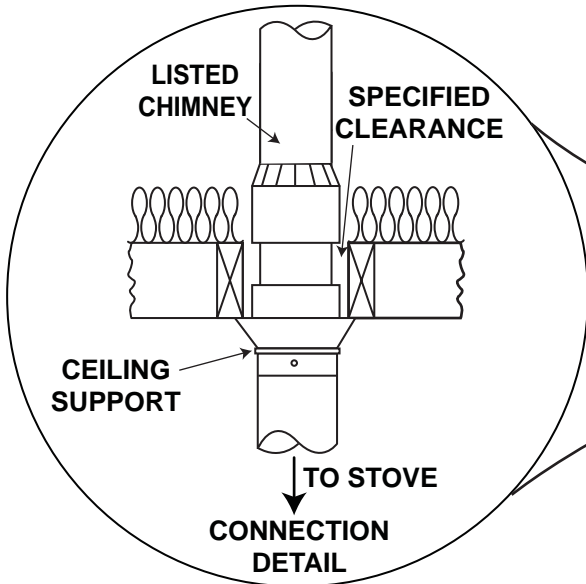
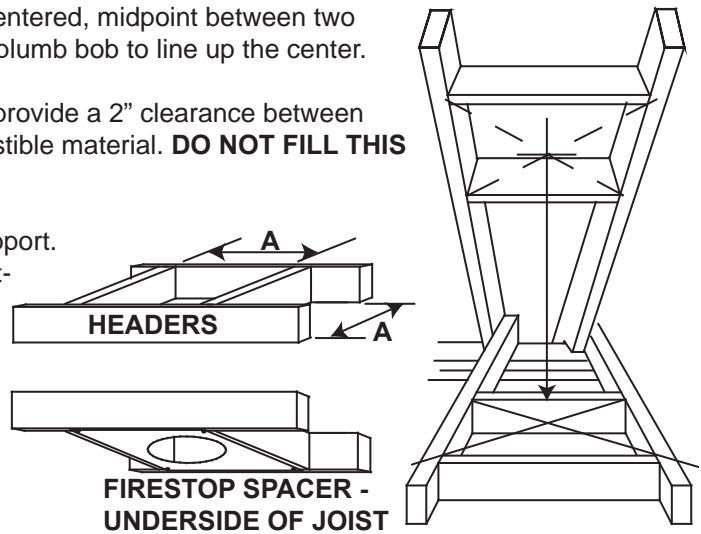
59.1

2.2.3 TYPICAL THROUGH THE CEILING

- A. Move the stove into position with the flue centered, midpoint between two joists to prevent having to cut them. Use a plumb bob to line up the center.
- B. Cut and frame an opening in the ceiling to provide a 2" clearance between the outside of the chimney and any combustible material. **DO NOT FILL THIS SPACE WITH ANY TYPE OF MATERIAL.**

Nail headers between the joist for extra support. Firestop spacers must be placed on the bottom of each framed opening in any floor or ceiling that the chimney passes through. If your chimney system is enclosed within the attic area, a rafter radiation shield is required.

- C. Hold a plumb bob from the underside of the roof to determine where the opening in the roof should be. Cut and frame the roof opening to maintain proper 2" clearances.

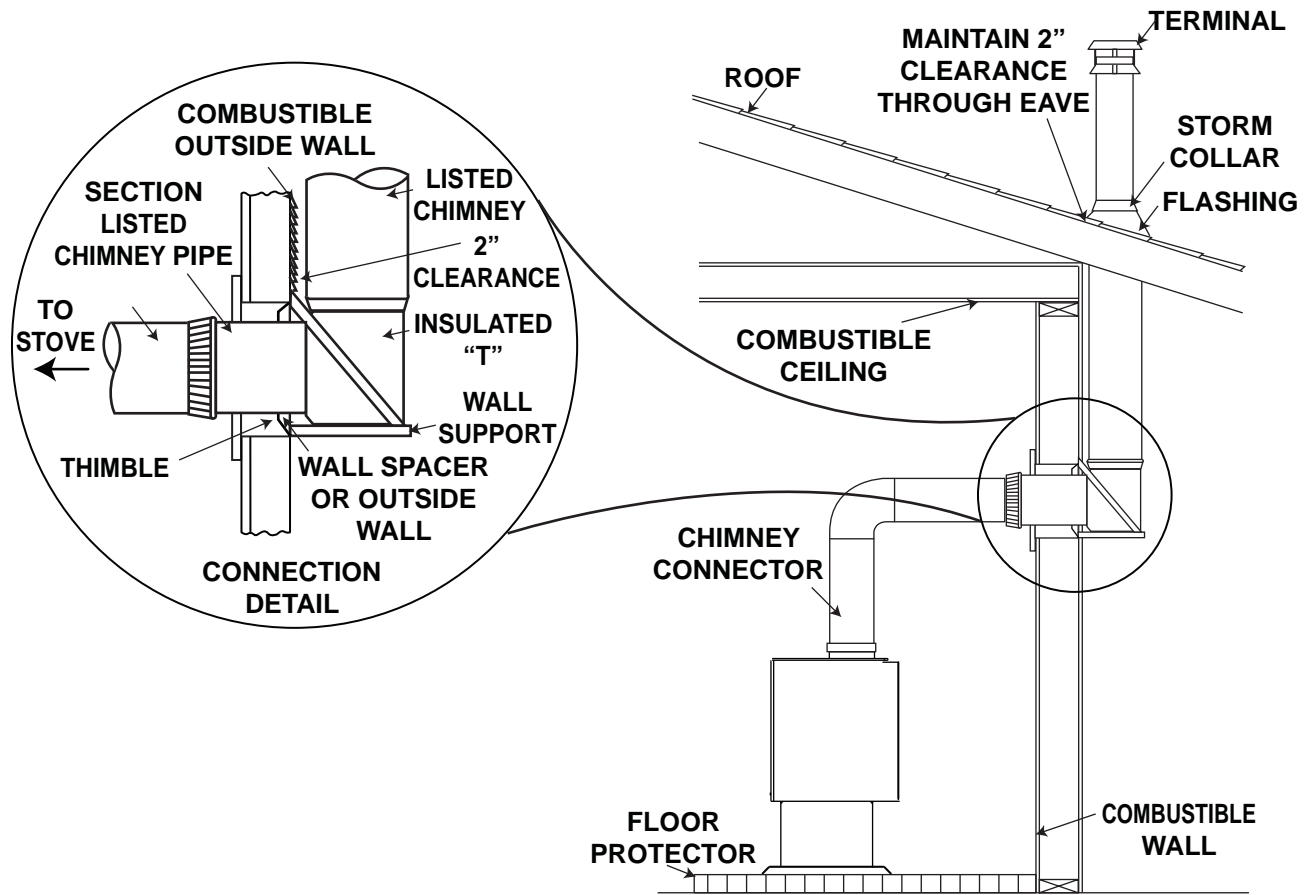


60.1

2.2.4 TYPICAL THROUGH THE WALL

If possible, design the installation so that the connector does not pass through a combustible wall. If during your installation you must pass through a combustible wall, check with your building inspector before you begin. Also check with the chimney connector manufacturer for any specific requirements.

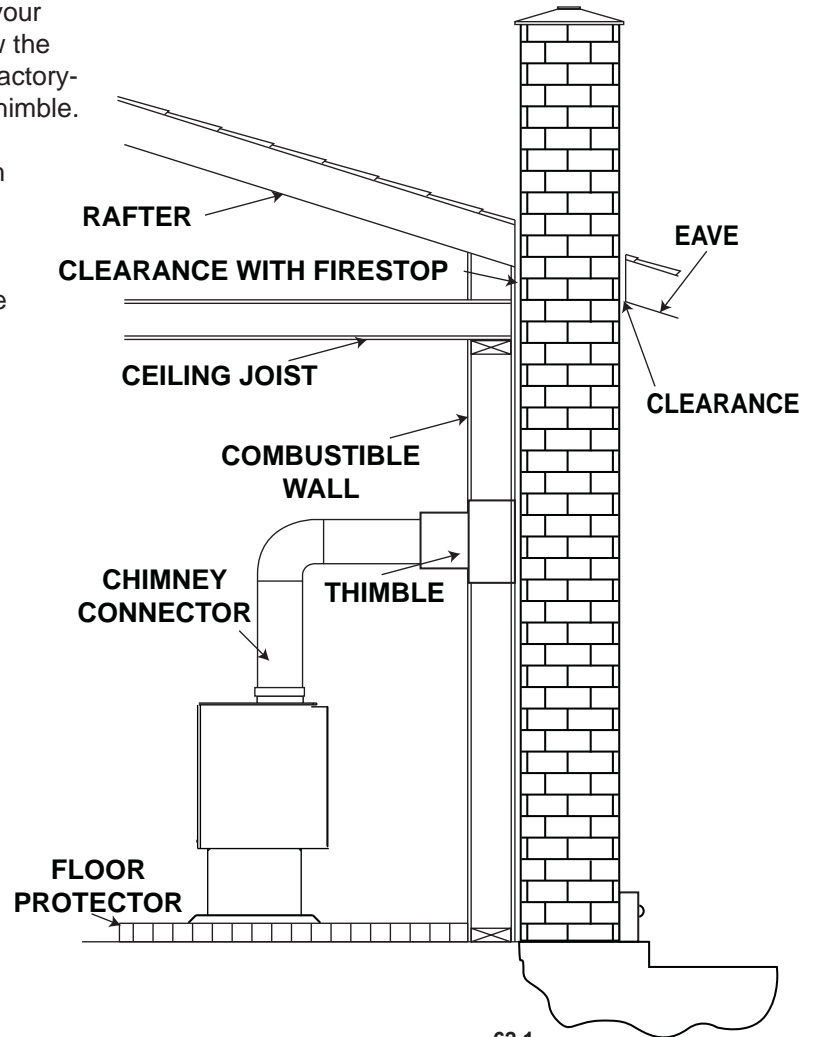
Consult with your dealer regarding special connection components available for use for wall pass-throughs. Use only parts that have been tested and listed for use in a wall pass-through.



61.1

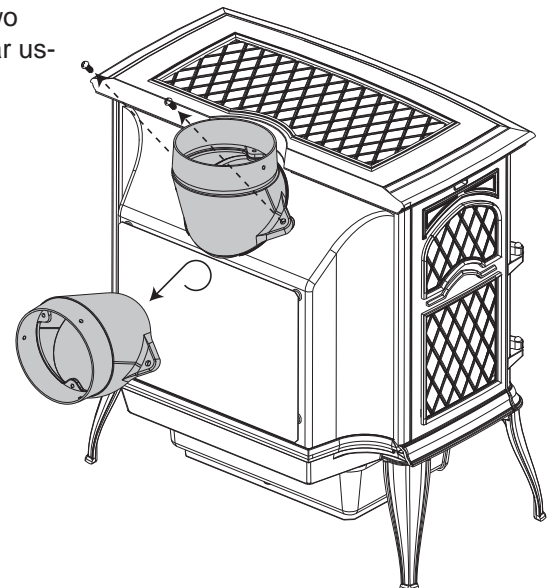
2.2.5 TYPICAL EXISTING MASONRY

You can also install your appliance using your existing masonry chimney. To do so, follow the guidelines below. You may want to use a factory-built thimble, or construct your own brick thimble. If you are using a masonry chimney, it is important that it be built in compliance with the specifications of the Building Code in your region. It must normally be lined with fire clay bricks, metal or clay tiles sealed together with fire cement. (Round flues are the most efficient).



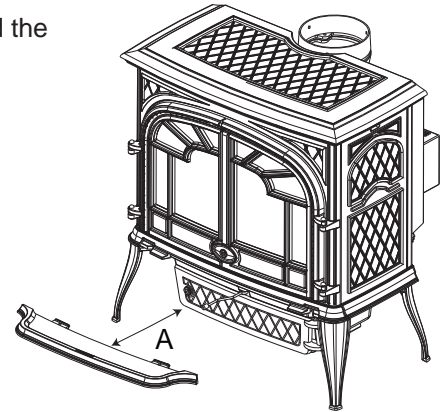
2.3 FLUE COLLAR REVERSAL

The flue collar is oriented in the Top Exit position. Remove the two mounting bolts, and turn the collar 180 degrees. Secure the collar using the same bolts, nuts and washers.



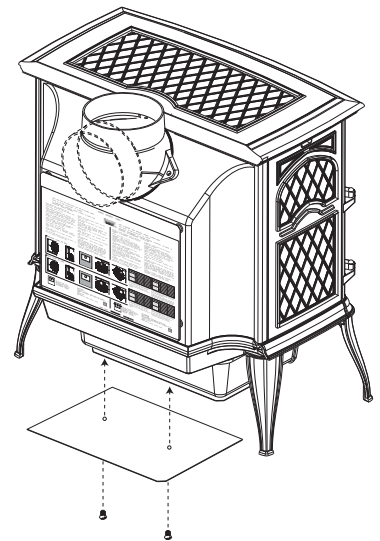
2.4 ASH FENDER INSTALLATION

To avoid damage during transport, the ash fender has been stored behind the main door. Pivot the ash fender onto tab "A" and lower into place.



2.5 HEAT SHIELD INSTALLATION

The heat shield stored in the appliance must be installed under the appliance with the 2 provided screws.



2.6 EPRS OPTIONAL REAR SHIELD INSTALLATION

HARDWARE INCLUDED:		
#	QTY.	DESCRIPTION
1	2	Screws
2	4	Spacers

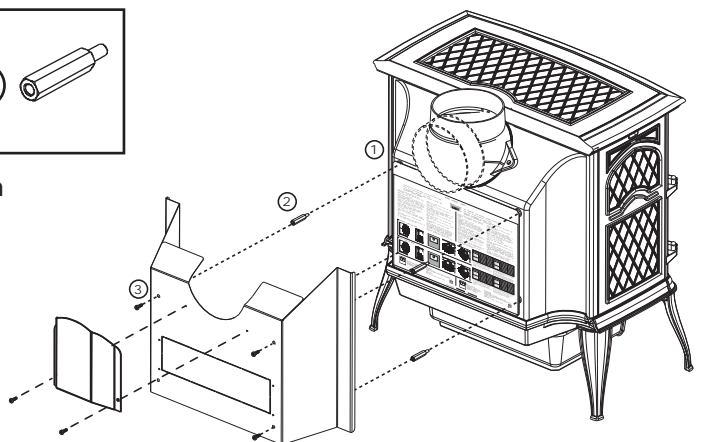


For reduced clearances installation must comply with NFPA 211 or CAN/CSA-B365.

2.7.1 Remove the 4 screws from the rating plate on the back of the appliance.

2.7.2 Replace the screws removed with the 4 spacers supplied.

2.7.3 Install the rear heat shield using the 4 screws removed and secure to the 4 spacers. Install the flue collar shield to the rear heat shield using the 2 screws supplied.



NOTE: The flue collar shield is only needed if the flue collar is in the top exit position. If the flue collar is in the rear exit position, the flue collar shield must be discarded.

2.7 EP65 OPTIONAL BLOWER INSTALLATION

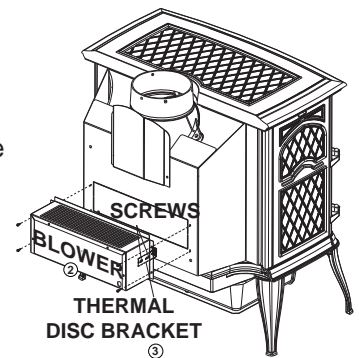
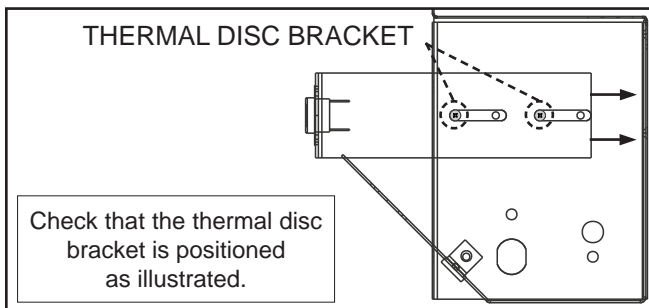
! WARNING**RISK OF FIRE**

USE ONLY WOLF STEEL APPROVED ACCESSORIES AND REPLACEMENT PARTS WITH THIS APPLIANCE. USING NON-LISTED ACCESSORIES (BLOWERS, DOORS, LOUVRES, TRIMS, GAS COMPONENTS, VENTING COMPONENTS, ETC.) COULD RESULT IN A SAFETY HAZARD AND WILL VOID THE WARRANTY AND CERTIFICATION.

ENSURE THAT THE FAN'S POWER CORD IS NOT IN CONTACT WITH ANY SURFACE OF THE APPLIANCE TO PREVENT ELECTRICAL SHOCK OR FIRE DAMAGE. DO NOT RUN THE POWER CORD BENEATH THE APPLIANCE.

ALL WIRING SHOULD BE DONE BY A QUALIFIED ELECTRICIAN AND SHALL BE IN COMPLIANCE WITH LOCAL CODES. IN THE ABSENCE OF LOCAL CODES, USE THE CURRENT CSA22.1 CANADIAN ELECTRIC CODE IN CANADA OR THE CURRENT NATIONAL ELECTRIC CODE ANSI/NFPA NO. 70 IN THE UNITED STATES.

- 2.8.1** Ensure the thermal disc bracket is in the correct position.
- 2.8.2** Install the blower and housing as shown using the 4 screws supplied.
- 2.8.3** Loosen the thermal disc bracket (2 screws) and slide the bracket until the thermal disc is touching the heat shield and secure.



2.8 EP90-K OPTIONAL SCREEN KIT

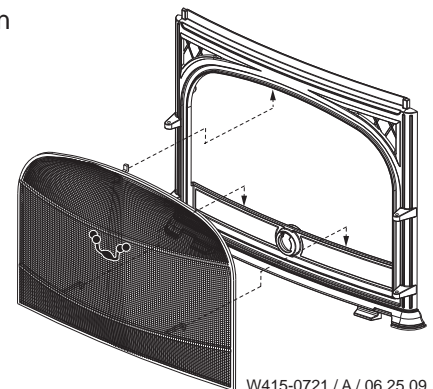
! WARNING

NEVER LEAVE APPLIANCE OPERATING UNSUPERVISED WITH SPARK SCREEN IN PLACE. USE CAUTION WHEN PLACING THIS SPARK SCREEN ON AN OPERATING APPLIANCE. TURN OFF THE BLOWER BEFORE OPERATING WITH THE SPARK SCREEN.

USE ONLY WOLF STEEL APPROVED OPTIONAL ACCESSORIES AND REPLACEMENT PARTS WITH THIS APPLIANCE. USING NON-LISTED ACCESSORIES AND REPLACEMENT PARTS (BLOWERS, DOORS, LOUVRES, TRIMS, GAS COMPONENTS, VENT COMPONENTS, ETC.) COULD RESULT IN A SAFETY HAZARD AND WILL VOID THE LIMITED LIFETIME WARRANTY.

The 1600C-1 may only be operated with the doors open when spark screen EP90-K is used and installed properly.

This kit is not applicable for mobile homes.



2.9 MOBILE HOME INSTALLATION

! WARNING**DO NOT INSTALL THIS APPLIANCE IN A BEDROOM / SLEEPING ROOM.****DO NOT INSTALL THE APPLIANCE IN ANY WAY THAT MIGHT COMPROMISE THE STRUCTURAL INTEGRITY OF THE MOBILE HOME FLOOR, WALLS, CEILING, OR ROOF.****MODEL 1600C-1 IS APPROVED FOR INSTALLATION IN MOBILE HOMES IN BOTH CANADA AND THE UNITED STATES.**

The appliance must be secured to the floor of the mobile home.

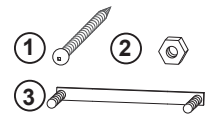
2.9.1 OPTIONAL OUTSIDE AIR KIT INSTALLATION AND FLOOR SECURING

If possible connect the air intake at the bottom to the outside with a 4 inch (100mm) diameter fresh air kit available at your Authorized dealer.

Connecting the appliance's air intake to the outside as well as securing the appliance to the floor, is mandatory in mobile homes only. Use a fresh air kit and the floor securing brackets.

HARDWARE INCLUDED:

#	QTY.	DESCRIPTION
1	2	#10 X 1.5" screws
2	2	nuts
3	1	stud retainer



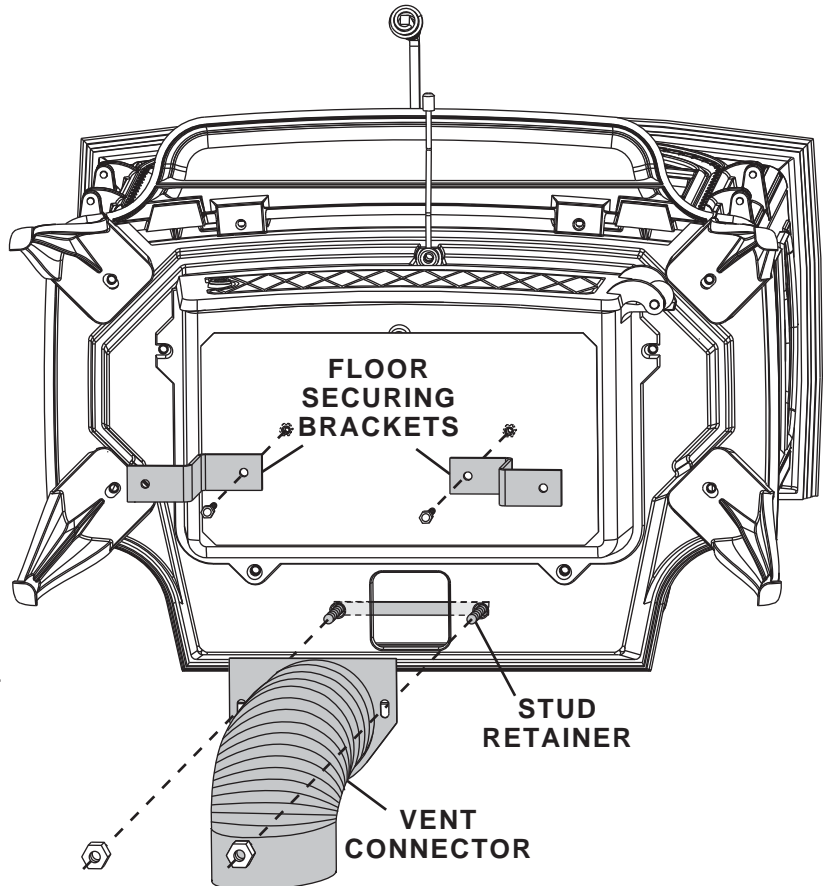
Avoid cutting away floor joists, wall studs, electrical wires or plumbing. Seal around the outside pipe with insulation to prevent drafts.

If room air starvation occurs because the fresh air intake is blocked with ice, leaves, etc., or because the appliance door was left open, or due to a strong exhaust fan operating etc., dangerous fumes and smoke from the operating appliance could be drawn into the room.

When installing the 1600C-1 in a mobile home, use the 111KT Outside air kit in conjunction with the 113KT Outside Air Adaptor Kit.

Remove the two screws from the bottom of the appliance and install the two floor securing brackets using the two screws removed. Install the vent connector by inserting the stud retainer into the hole in the bottom of the appliance. Position the retainer so that the studs come through the holes indicated. Hold the retainer in place and align the holes in the vent connector with the studs of the retainer. Secure the vent connector in place using the 2 nuts supplied.

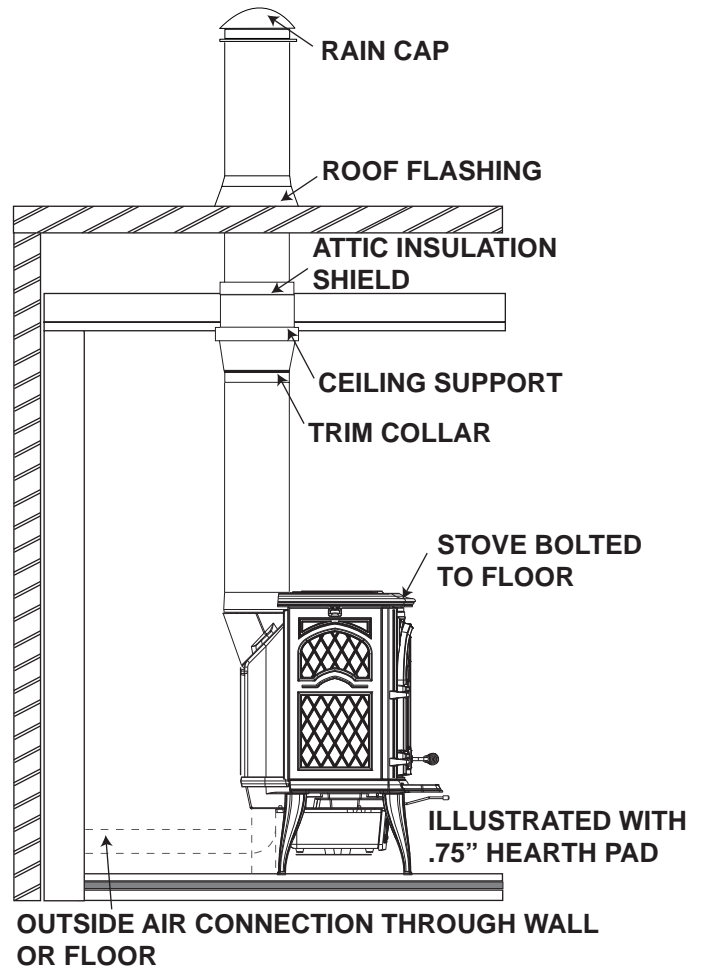
Secure the appliance to the floor using the securing brackets and the two #10x1.5" screws supplied.



2.9.2 VENTING

Connect the appliance to a chimney system using a listed double wall connector with a minimum clearance rating of 12" or less. Use chimney system listed to ULC S629 in Canada or UL 103HT in the USA.

The chimney must be installed in accordance with the manufacturer's instructions. Use only specified components with no substitutions. The chimney and pipe must extend at least 8 feet above the appliance and 3 feet above the highest point of the roof. Install a rain cap at the top which will not impede the smoke exhaust. The chimney must be supported at the ceiling or roof so that its weight does not rest on the appliance. It must be installed between ceiling joists, with radiation shield and roof flashing, so that the structural strength, insulation and waterproof qualities of the home are not lessened. Seal with silicone to maintain a vapour barrier at the chimney and outside air pipe penetrations.



3.0 OPERATION

! WARNING

ALWAYS OPERATE THIS APPLIANCE WITH THE DOOR CLOSED AND LATCHED EXCEPT DURING START UP AND RE-FUELING OR WHEN USING THE SPARK SCREEN. ALWAYS WEAR GLOVES TO PREVENT INJURY. DO NOT LEAVE THE FIRE UNATTENDED WHEN THE DOOR IS UNLATCHED OR WHEN USING A SPARK SCREEN AS UNSTABLE WOOD COULD FALL OUT OF THE FIRE CHAMBER CREATING A FIRE HAZARD TO YOUR HOME.

NEVER LEAVE CHILDREN UNATTENDED WHEN THERE IS A FIRE BURNING IN THE APPLIANCE.

NEVER USE GASOLINE, GASOLINE-TYPE LANTERN FUEL, KEROSENE, CHARCOAL LIGHTER FLUID, OR SIMILAR LIQUIDS TO START OR 'FRESHEN UP' A FIRE IN THIS APPLIANCE. KEEP ALL SUCH LIQUIDS WELL AWAY FROM THE APPLIANCE WHILE IT IS IN USE.

OBJECTS PLACED IN FRONT OF THE APPLIANCE SHOULD BE KEPT A MINIMUM OF 48" FROM THE FRONT FACE.

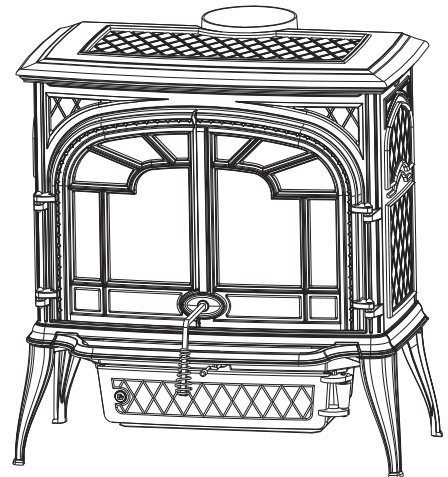
ANY MODIFICATION OF THE APPLIANCE THAT HAS NOT BEEN APPROVED IN WRITING BY THE TESTING AUTHORITY IS CONSIDERED BREACHING CSA B365 (CANADA) AND ANSI NFPA 211 (USA).

OPEN AIR CONTROL (AND DAMPER WHEN FITTED) BEFORE OPENING FIRING DOOR.

HOT WHILE IN OPERATION, KEEP CHILDREN, CLOTHING AND FURNITURE AWAY. CONTACT MAY CAUSE SKIN BURNS. WEAR GLOVES TO OPERATE YOUR APPLIANCE.

NEVER OPERATE THE STOVE WITH THE GRATE COVER REMOVED.

Your Napoleon® EPA listed product is a Hi-Tech appliance, designed with the most advanced technology. The appliance is extremely airtight. It has an exclusive direct outside air supply (optional kit), a safety feature designed to prevent spillage, and to keep your house free of carbon monoxide, in case of a down drafting chimney or an internal negative pressure.



3.1 WHEN LIT FOR THE FIRST TIME

The appliance will emit a slight odour for a few hours. This is a normal temporary condition caused by the “burn-in” of internal paints and lubricants used in the manufacturing process and will not occur again. Simply open a window to sufficiently ventilate the room during the first few hours of operation.

To start, a brisk fire is required. Place loosely crumpled paper on the grate **cover** and cover with dry kindling. Open the air control fully by moving it to the right. Light the paper and leave the door slightly ajar (one inch) until all kindling is burning. To maintain a brisk fire, a hot coal bed must be established and maintained.

Slowly add larger wood (2x4 size pieces). Lay the pieces lengthwise from side to side in the hot coal bed with a shallow trench between, so that the primary air can flow directly into this trench and ignite the fuel above. When the fire seems to be at its peak, medium sized logs may be added. Once these logs have caught fire, carefully close the door. (Closing the door too quickly after refuelling will reduce the firebox temperature and result in an unsatisfactory burn.) Remember it is more efficient to burn medium sized wood, briskly, and refuel frequently than to load the appliance with large logs that result in a smouldering, inefficient fire and dirty glass.

As soon as the door is closed, you will observe a change in the flame pattern. The flames will get smaller and lazier because less oxygen is getting into the combustion chamber. The flames, however, are more efficient. The flames will remain lazy but become larger again as soon as the castings have been heated thoroughly and the chimney becomes heated and provides a good draft.

At this point, the roaring fire that you see when the door is opened is wastefully drawing heated room air up the chimney—certainly not desirable. So always operate with the door fully closed once the medium sized logs have caught fire.

You can now add larger pieces of wood and operate the appliance normally. Once the appliance is entirely hot, it will burn very efficiently with little smoke from the chimney. There will be a bed of orange coals in the firebox and secondary flames flickering just below the top **baffle**. You can safely fill the firebox with wood to the top of the door and will get best burns if you keep the appliance pipe temperatures between 250 degrees Fahrenheit (121 degrees Celsius) and 450 degrees Fahrenheit (232 degrees Celsius). A surface thermometer will help regulate this.

WITHOUT AN APPLIANCE THERMOMETER YOU ARE WORKING BLINDLY AND HAVE NO IDEA OF HOW THE APPLIANCE IS OPERATING. AN APPLIANCE THERMOMETER OFFERS A GUIDE TO PERFORMANCE.

Can't get the appliance going?

Use more kindling and paper. Assuming the chimney and vent are sized correctly and there is sufficient combustion air, the lack of sufficiently dry quantities of small kindling is the problem. Thumb size is a good gauge for small kindling diameter.

Can't get heat out of the appliance?

One of two things may have happened. The appliance door may have been closed prematurely and the appliance itself has not reached optimum temperature. Reopen the door and/or draft control to re-establish a brisk fire. The other problem may have been wet wood. The typical symptom is sizzling wood and moisture being driven from the wood.

! WARNING

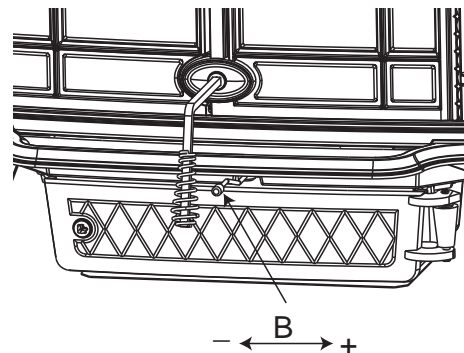
ALWAYS OPERATE THIS APPLIANCE WITH THE DOOR CLOSED AND LATCHED EXCEPT DURING START-UP AND RE-FUELING.

BURNING YOUR APPLIANCE WITH THE DOORS OPEN OR AJAR CREATES A FIRE HAZARD THAT MAY RESULT IN A HOUSE AND OR CHIMNEY FIRE.

Draft is the force which moves air from the appliance up through the chimney. The amount of draft in your chimney depends on the length and diameter of chimney, local geography, nearby obstructions and other factors. Adjusting the air control (Item B) regulates the temperature.

The draft can be adjusted from a low burn rate with the control fully closed, to a fast burn rate with the control fully open.

Inadequate draft may cause back-puffing into the room through the appliance and chimney connector points and may cause plugging of the chimney. Too much draft may cause an excessive temperature in the appliance, glowing red appliance parts or chimney connectors or an uncontrollable burn which can lead to a chimney fire or permanent damage to the appliance.



3.3 FIRE EXTINGUISHERS / SMOKE DETECTORS

All homes with a solid fuel burning appliance should have at least one fire extinguisher in a central location known to all, and at least one smoke detector in the room containing the appliance. If it sounds an alarm, correct the cause but do not deactivate or relocate the smoke detector.

3.4 FUEL

! WARNING

DO NOT STORE FUEL WITHIN THE CLEARANCE TO COMBUSTIBLES, OR IN THE SPACE REQUIRED FOR RE-FUELING AND ASH REMOVAL.

BURNING WET, UNSEASONED WOOD CAN CAUSE EXCESSIVE CREOSOTE ACCUMULATION. WHEN IGNITED IT CAN CAUSE A CHIMNEY FIRE THAT MAY RESULT IN A SERIOUS HOUSE FIRE.

For maximum efficiency, when the appliance is thoroughly hot, load it fully to the top of the door opening and burn at a medium low setting. Maximum heat for minimum fuel (optimum burn) occurs when the appliance top temperature is between 500°F (260°C) and 600°F (315°C). The cleanness of the glass is a good indicator of your operating efficiency. Not enough heat is produced when only one or two pieces of wood are burned or the wood may not burn completely. A minimum of three pieces are needed to encase a bed of coals that sustains the fire.

Loosely stacked wood burns quicker than a tightly packed load. Wood burns in cycles rather than giving a steady output of heat. It is best to plan these cycles around your house hold routine so that only enough coals are left to start the next load. In the evening, load your appliance, at least, a half-hour before bed to ensure a good fire, hot enough to close the draft control for an overnight burn. Burn only dry seasoned wood.

It produces more heat and less soot or creosote. Do not burn ocean beach wood. Its salt content can produce a metal eating acid. When refueling open the door slowly to prevent smoke spillage. Use a pair of long gloves (barbecue gloves) when feeding the fire. Because these appliances burn at the front, they are clean and efficient, but they are also very hot and gloves are useful. Keep a small steel shovel nearby to use as a poker and to remove ashes. Do not store the wood within 3 feet (1m) of the appliance.

3.5 LIGHTING A FIRE

3.5.1 FLASH FIRE

A flash fire is a small fire burned quickly when you don't need much heat. After your kindling has "caught", load at least 3 pieces of wood, stacked loosely. Burn with the draft control fully open or closed only slightly.

3.5.2 EXTENDED FIRE

Load your larger pieces of wood compactly, packed close enough to prevent the flames from penetrating it completely.


After approximately 30 minutes, depending on the size of the load, close the draft control completely making sure that the fire is not extinguished.

DO NOT OVERFIRE THE APPLIANCE!

Overfiring can occur by:

- A. Burning large amounts of smaller wood pieces such as furniture scraps, skids or treated wood;
- B. Vigorously burning large loads of wood with the draft control on "HIGH" (fully open) for long periods of time (one or two hours).

4.0 MAINTENANCE


 WARNING
TURN OFF THE GAS AND ELECTRICAL POWER BEFORE SERVICING THE APPLIANCE.
APPLIANCE MAY BE HOT, DO NOT SERVICE UNTIL APPLIANCE HAS COOLED.
DO NOT USE ABRASIVE CLEANERS.

Check your chimney and chimney connector for creosote and soot buildup weekly until a safe frequency for cleaning is established. If accumulation is excessive, disconnect the appliance and clean both the chimney and the appliance. You may want to call a professional chimney sweep to clean them. Both have to be cleaned at least once a year or as often as necessary.

SMOKING: A properly installed appliance should not smoke. If yours does, check the following :

- Has the chimney had time to get hot?
- Is the smoke passage blocked anywhere in the appliance, chimney connector or chimney?
- Is the room too airtight? Try with a window partly open.
- Is the smoke flow impeded by too long a horizontal pipe or too many bends?
- Is it a weak draft perhaps caused by a leaky chimney, a cold outside chimney, too short a chimney, or a chimney too close to trees or a higher roof?

4.1 ASH REMOVAL PROCEDURES

 WARNING
IMPROPER DISPOSAL OF ASHES RESULT IN FIRES. DO NOT DISCARD ASHES IN CARDBOARD BOXES, DUMP IN BACK YARDS, OR STORE IN GARAGES.
IF USING A VACUUM TO CLEAN UP ASHES, BE SURE THE ASHES ARE ENTIRELY COOLED. USING A VACUUM TO CLEAN UP WARM ASHES COULD CAUSE A FIRE INSIDE THE VACUUM.
NEVER OPERATE YOUR APPLIANCE WITH THE GRATE COVER REMOVED.

It is essential to keep the grate free of a heavy build up of ashes. Remove the grate cover and brush ashes to the grate where they will drop into the ash pan. Replace the grate cover after ashes have been removed.

When burning solid fuel, always empty the ash pan at least once a day or whenever it is full of ashes. Never allow the ash pan to overfill thereby allowing ash to be in contact with the underside of the grate. If this condition is allowed, the grate will wear out prematurely. Using the door handle to open the ash pan door, remove the ash pan and dump ashes into a metal container when cool. Replace the grate cover after ashes have been removed.

DISPOSAL OF ASHES: Ashes should be kept in a metal container with a tight fitting lid. Keep the closed container on a non-combustible floor or ground, well away from all combustible materials. The ashes should be retained in the closed container until all cinders have thoroughly cooled. Cold wood ashes can be used on the garden or in the compost.

4.2 CREOSOTE FORMATION AND REMOVAL

When wood is burned slowly, it produces tar and other organic vapours which combine with expelled moisture to form creosote. These vapours condense in the relatively cooler chimney flue of a slow burning fire and when ignited, make an extremely hot fire. So, the smoke pipe and chimney should be inspected monthly during the heating season to determine if a buildup has occurred. If creosote has accumulated it should be removed to reduce the risk of a chimney fire.

4.3 RUNAWAY OR CHIMNEY FIRE

WARNING

A CHIMNEY FIRE CAN PERMANENTLY DAMAGE YOUR CHIMNEY SYSTEM. THIS DAMAGE CAN ONLY BE REPAIRED BY REPLACING THE DAMAGED COMPONENT PARTS. CHIMNEY FIRES ARE NOT COVERED BY THE LIFETIME LIMITED WARRANTY.

Runaway fires can be the result of two major factors:

1. Using incorrect fuel, or small fuel pieces which would normally be used as kindling.
2. Leaving the door ajar too long and creating extreme temperatures as the air rushes in the open door.

Solutions:

1. Do not burn treated or processed wood, coal, charcoal, coloured paper or cardboard.
2. Be careful not to over-fire the appliance by leaving the door open too long after initial start-up. A thermometer on the chimney connector and/or appliance top helps.

What to do if a runaway or chimney fire starts?

1. Close the draft fully.
2. Call local fire department.
3. Examine flue-pipes, chimney, attic, and roof of the house, to see if any part has become hot enough to catch fire. If necessary spray with a fire extinguisher or water from a garden hose.
4. Do not operate the appliance again until you are certain the chimney and its lining have not been damaged.

4.4 CHIMNEY CLEANING

For serious wood burners, chimney cleaning must be done as needed to avoid chimney fires; the venting systems for controlled combustion appliances may need cleaning as often as once a month. These rates, however, depend on the burning habits of the individual operating the heater. For example, it is possible to clog a solid fuel appliance chimney in a few days if slow, smoldering fires are burned and the chimney is cold. Wood burners who consistently operate their appliances with appropriately hot fires may infrequently have significant creosote accumulations in the chimney.

Certain items and considerations are important in chimney cleaning:

- Proper tools should be used, including a brush specifically designed for chimney cleaning.
- The chimney connector and dampers as well as the chimney should be cleaned.
- The appliance's firebox and baffle system should be cleaned if needed.
- The chimney should be inspected and repairs made if needed, preferable by a qualified chimney sweep or mason.

4.5 CARE OF GLASS

If the glass is not kept clean permanent discoloration and / or blemishes may result. Normally a hot fire will clean the glass. The most common reasons for dirty glass include: not using sufficient fuel to get the fireplace thoroughly hot, using green or wet wood, closing the draft so far that there is insufficient air for complete combustion.

If it is necessary to clean the glass, buff lightly with a clean dry cloth and non-abrasive cleaner.

! WARNING



HOT GLASS WILL CAUSE BURNS.

DO NOT TOUCH GLASS UNTIL COOLED.

NEVER ALLOW CHILDREN TO TOUCH GLASS.

DO NOT CLEAN GLASS WHEN HOT! Clean the glass after the first 10 hours of operation with a recommended fireplace glass cleaner. Thereafter clean as required.

The glass is very strong but do not let burning fuel rest or fall against it and always close the door gently. **NEVER FORCE IT SHUT!**

If the glass should ever crack or break while the fire is burning, do not open the door until the fire is out and do not operate the fireplace again until the glass has been replaced, available from your Authorized dealer. **DO NOT SUBSTITUTE MATERIALS.**

5.3

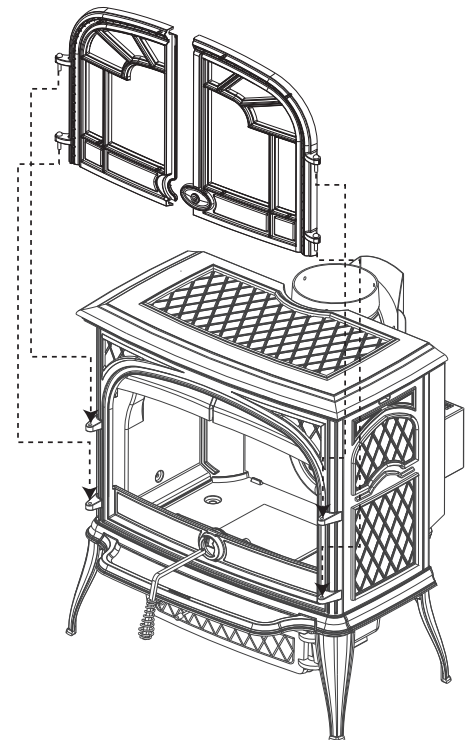
4.6 DOOR REMOVAL

! WARNING

BURNING YOUR APPLIANCE WITH THE DOORS OPEN OR AJAR CREATES A FIRE HAZARD THAT MAY RESULT IN A HOUSE AND OR CHIMNEY FIRE.

DO NOT STRIKE OR SLAM DOOR.

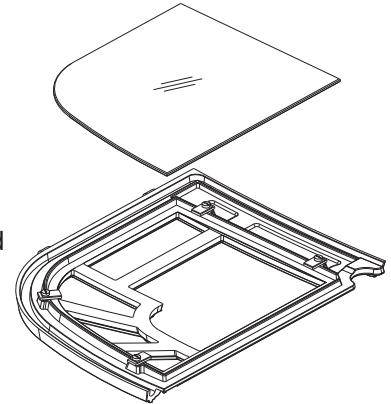
Pivot the door open and lift the door and pins off the bushings. Set the door aside being careful not to scratch the paint.



4.7 GLASS REPLACEMENT

! WARNING
DO NOT USE SUBSTITUTE MATERIALS.
GLASS MAY BE HOT, DO NOT TOUCH GLASS UNTIL COOLED.
CARE MUST BE TAKEN WHEN REMOVING AND DISPOSING OF ANY BROKEN GLASS OR DAMAGED COMPONENTS. BE SURE TO VACUUM UP ANY BROKEN GLASS FROM INSIDE THE APPLIANCE BEFORE OPERATION.
DO NOT OPERATE THE APPLIANCE WITH THE GLASS DOOR REMOVED, CRACKED OR BROKEN.

- 4.7.1** When the appliance is cool, open the door and place the door frame down careful not to scratch the paint.
- 4.7.2** Center the gasketed glass inside the door frame with the thick side of the gasket facing up.
- 4.7.3** Remove the screws and glass retainers (careful not to lose the felt underneath the retainers). Place the gasket and glass on the door and secure in place, careful not to break the glass.



NOTE: For replacement glass, size, thickness and specifications, see "REPLACEMENTS" section.

4.8 WOOD

Fuel for the appliance must not be stored closer than the required clearances to combustibles (heat sensitive material).

Burn only dry, clean unpainted wood that has been seasoned. It produces more heat and less soot or creosote. Freshly cut wood contains about 50% moisture while after proper seasoning only about 20% of the water remains. As wood is burned, this water boils off consuming energy that should be used in heating. The wetter the wood, the less heat is given off and the more creosote is produced.

Both hardwood and softwood burn equally well in this appliance but hardwood is denser, will weigh more per cord and burn a little slower and longer. Firewood should be split, stacked in a manner that air can get to all parts of it and covered in early spring to be ready for burning that fall. Dry firewood has cracks in the end grain. Cut the wood so that it will fit horizontally, sideways, making for easier loading and less of a likelihood that the wood will roll onto the glass.

DO'S

- Build a hot fire
- Use only dry wood.
- Several pieces of medium sized wood are better than a few big pieces.
- Clean chimney regularly.
- Refuel frequently using medium sized wood.
- "Fine Tune" the air settings for optimum performance.

DONT'S

- Take ash out immediately. Let it accumulate to a depth of at least one inch. A good ash layer provides for a longer lasting and better burning fire.
- Burn wet wood.
- Close the door too soon or damper down too quickly.
- Burn one large log rather than two or three smaller, more reasonably sized logs.
- Burn at continually "low setting", if glass door is constantly blackened. This means the firebox temperature is too low.

5.0 REPLACEMENTS

Contact your dealer or the factory for questions concerning prices and policies on replacement parts. Normally all parts can be ordered through your Authorized dealer / distributor.

FOR WARRANTY REPLACEMENT PARTS, A PHOTOCOPY OF THE ORIGINAL INVOICE WILL BE REQUIRED TO HONOUR THE CLAIM.

When ordering replacement parts always give the following information:

- Model & Serial Number of appliance
- Installation date of appliance
- Part number
- Description of part
- Finish



WARNING

Failure to position the parts in accordance with this manual or failure to use only parts specifically approved with this appliance may result in property damage or personal injury.

*** IDENTIFIES ITEMS WHICH ARE NOT ILLUSTRATED. FOR FURTHER INFORMATION, CONTACT YOUR AUTHORIZED DEALER.**

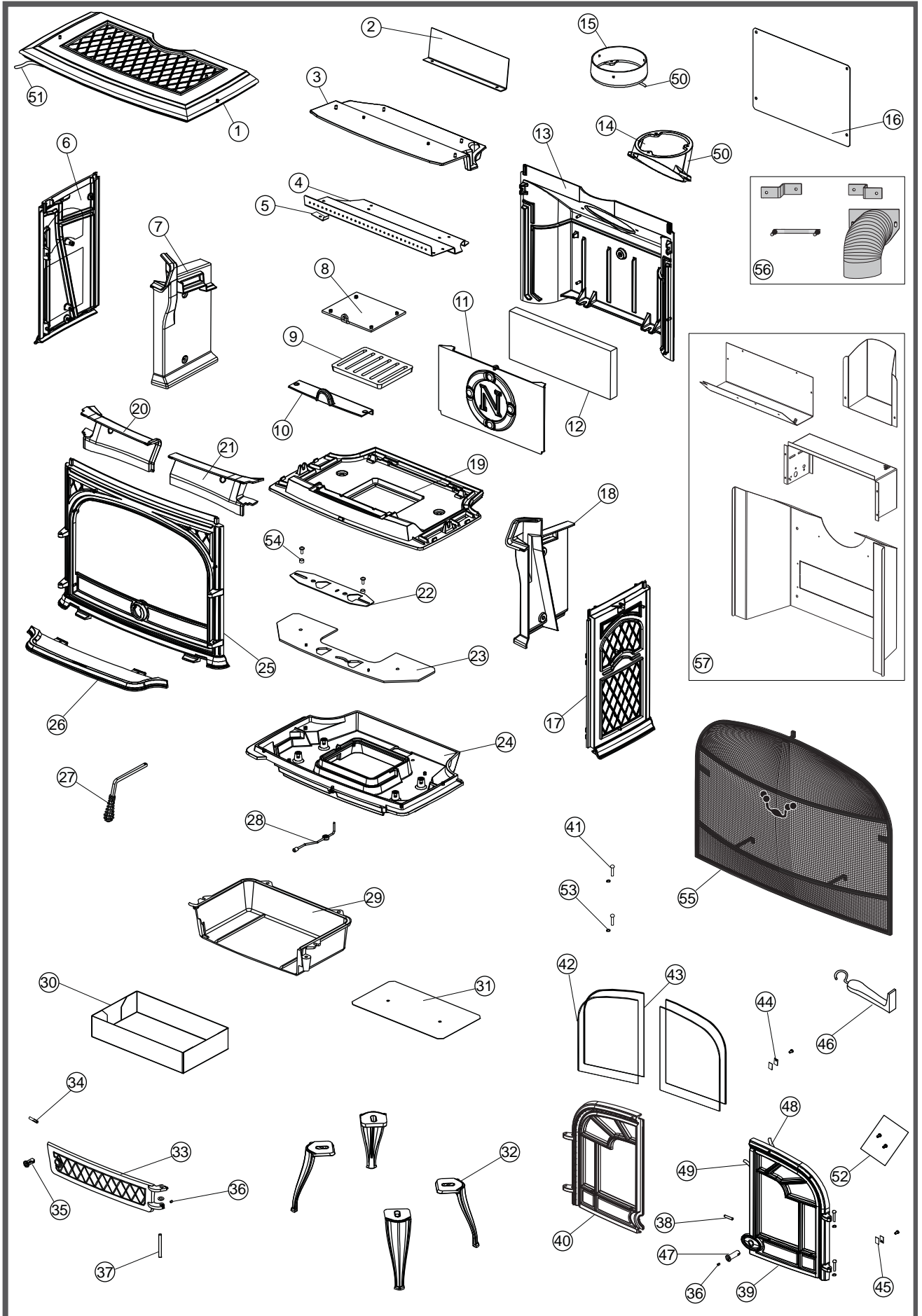
41.1

COMPONENTS		
REF	PART NUMBER	DESCRIPTION
1	W135-0338	TOP PLATE
2	W215-0127	DEFLECTOR
3	W135-0361	FLUE BAFFLE
4	W010-2139	SECONDARY AIR PLATE
5	W080-0977	BRACKET, AIR PLATE
6	W135-0345	LEFT SIDE PANEL
7	W135-0359	LINER, LEFT SIDE
8	W200-0279	GRATE COVER
9	W135-0351	GRATE
10	W135-0352	AIR CHANNEL COVER
11	W135-0365	HEARTH PLATE
12	W090-0163	CERAMIC BRICK LINER
13	W135-0353	BACK PANEL
14	W135-0362	ADAPTOR
15	W135-0363	FLUE COLLAR
16	W385-0438	RATING PLATE
17	W135-0344	RIGHT SIDE PANEL
18	W135-0360	LINER, RIGHT SIDE
19	W135-0350	GRATE SUPPORT (INNER BASE)
20	W135-0357	AIR DUCT, LEFT SIDE
21	W135-0358	AIR DUCT, RIGHT SIDE
22	W500-0458	AIR CONTROL DAMPER
23	W500-0459	SEALING PLATE
24	W135-0346	BASE
25	W135-0354	FRONT PLATE
26	W135-0364	ASH TRAY
27	W010-1988	HANDLE, DOOR
28	W555-0076	SHAFT, AIR CONTROL
29	W135-0348	ASH PAN HOUSING
30	W350-0479	ASH-PAN
31	W585-0277	HEAT SHIELD (ASH PAN)
32	W135-0347	LEG
33	W135-0349	ASH PAN DOOR
34	W485-0031	PIN ASH PAN DOOR LATCH

COMPONENTS		
REF	PART NUMBER	DESCRIPTION
35	W105-0016	AXLE, ASH PAN DOOR LATCH
36	W570-0125	SCREW DOOR LATCH
37	W485-0033	HINGE ASH PAN DOOR
38	W485-0032	PIN DOOR LATCH
39	W135-0355	DOOR, RIGHT SIDE
40	W135-0356	DOOR, LEFT SIDE
41	W485-0029	HINGE PIN DOOR
42	W562-0053	GASKET, DOOR GLASS
43	W300-0111	4 MIL CERAMIC GLASS
44	W080-0979	BRACKET, GLASS RETAINER
45*	W290-0149	ROPE
46	W325-0055	HAND TOOL
47	W105-0015	AXLE, DOOR LATCH
48	W562-0052	GASKET, DOOR
49	W562-0053	GASKET, ASH PAN DOOR
50	W562-0056	GASKET, FLUE COLLAR
51	W562-0051	GASKET, TOP PLATE
52	W570-0126	SHOULDER SCREW
53*	W385-0334	ALUMINUM NAPOLEON® LOGO
ACCESSORIES		
REF	PART NUMBER	DESCRIPTION
54*	EP65	BLOWER KIT
55	EP90-K	SCREEN KIT
56	113KT	OUTSIDE AIR
	111KT	OUTSIDE AIR KIT
57	EPRS	REAR HEAT SHIELD KIT

**FOR OTHER AVAILABLE COLOURS, ADD THESE LETTERS TO THE BASE PART NUMBER:

COLOR	LETTER	FINISH
MAJOLICA BROWN	N	PORCELAIN
WROUGHT IRON	WI	PAINTED



6.0 SERVICE HISTORY

Appliance Service History
This heater must be serviced annually depending on usage.

Date	Dealer Name	Service Technician Name	Service Performed	Special Concerns

