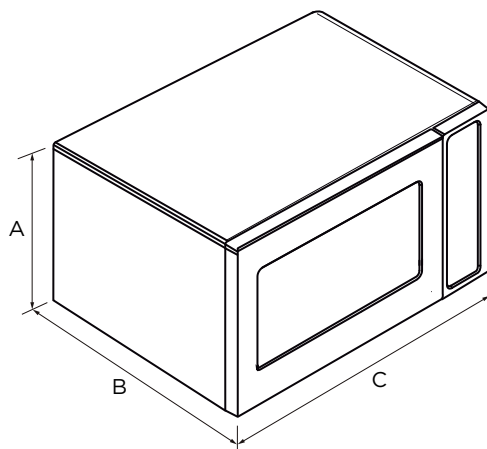


## MICROWAVE OVEN DIMENSIONS

### MO-24SS-2, CMO-24SS-2, CMOH-30-SS



#### DIMENSIONS INCHES (MM)

	MO-24SS-2	CMO-24SS-2	CMOH-30-SS
A Overall height	13 <sup>5</sup> / <sub>8</sub> " (340)	14 <sup>7</sup> / <sub>8</sub> " (378)	16 <sup>1</sup> / <sub>2</sub> " (415)
B Overall depth	19 <sup>1</sup> / <sub>8</sub> " (485)	19" (483)	15 <sup>9</sup> / <sub>2</sub> " (388)
C Overall width	24" (609)	24 <sup>5</sup> / <sub>8</sub> " (626)	29 <sup>15</sup> / <sub>16</sub> " (760)

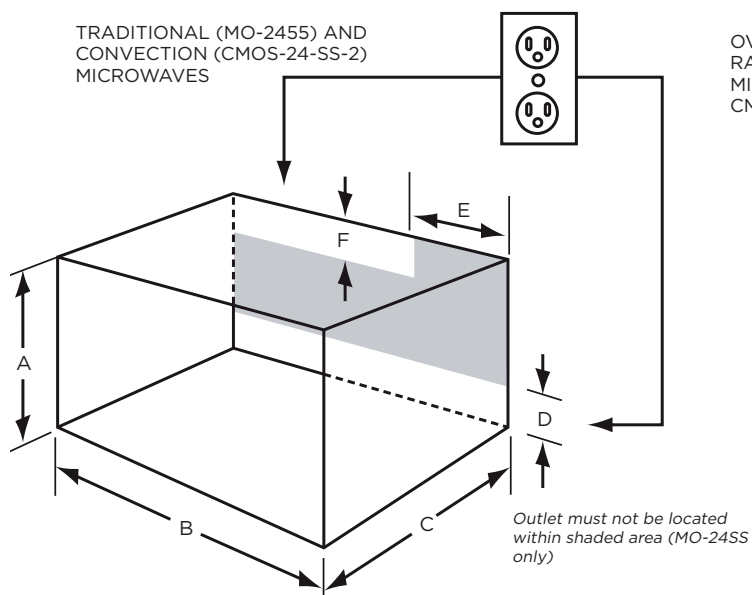
Product dimensions and specifications are listed as a guide only. For complete installation instructions and specifications, refer to the product Use & Care Guide/Installation Instructions available at [www.fisherpaykel.com](http://www.fisherpaykel.com)

**Fisher & Paykel**

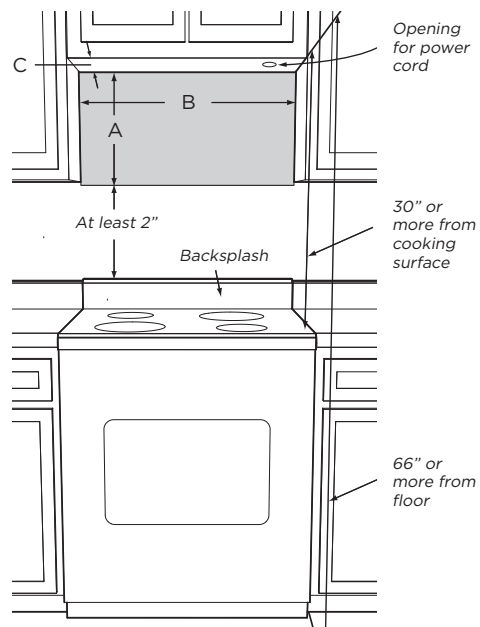
fisherpaykel.com  
1.888.936.7872

# MICROWAVE OVEN CABINET DIMENSIONS

## MO-24SS-2, CMO-24SS-2, CMOH-30SS



OVER THE RANGE MICROWAVE CMO-30-SS



### DIMENSIONS INCHES (MM)

	MO-24SS-2	CMO-24SS-2	CMOH-30-SS
	+ MOTTK-30 Trim Kit	+ CMOTTK-30 Trim Kit	+ CMOH-30-SS Trim Kit
A Height of cabinet cutout	17 + 1/16, -0" (433)	19 3/16" + 1/16" (487 + 1.5)	15.5" (394)
B Width of cabinet cutout	24 3/4 + 1/16, -0" (628 + 1.5)	25 3/4 + 1/16" (654 + 1.5)	30" (762)
C Depth of cabinet cutout	MIN 20" (508)	MIN 20" (508)	12" (304)
D Location of outlet (bottom of cabinet)	4" (101)	— —	— —
E Outlet must be located outside this area	6" (152)	— —	— —
F Location of outlet (top of cabinet)	4" (101)	— —	— —

Product dimensions and specifications are listed as a guide only. For complete installation instructions and specifications, refer to the product Use & Care Guide/Installation Instructions available at [www.fisherpaykel.com](http://www.fisherpaykel.com)

**Fisher & Paykel**

fisherpaykel.com  
1.888.936.7872