

PANACEA[®]

28227_30052

Charcoal Grill

WARNING:

- Your grill is intended for residential outdoor use only. Do not use for commercial cooking. Do not use in or on boats or recreational vehicles. Do not use for indoor cooking or heating. Toxic carbon monoxide fumes may accumulate and cause death.
- Designate the grilling area as a no play zone and keep kids and pets away. Do not wear loose fitting clothing when cooking.
- Only use your grill on a hard, level, non-combustible surface. Keep away from house, garage, trailer, building, tent or under overhead construction.
- Grill must be kept at a distance of 36" from any building to ensure that there is no fire or melting of materials from building. Live hot briquettes and coals can create a fire hazard.
- Do not use this product without reading all warning and operating instructions. Death, serious injury or damage to property may occur if all warnings are not followed.
- Do not force parts together as this can cause personal injury or damage to the product. Use protective gloves when assembling this grill. Do not use grill until it is completely assembled and all fasteners are tight. Do not modify grill.
- Check to make sure the air vents are free of debris and ash before lighting charcoal and during use. This grill should be thoroughly clean and inspected on a regular basis.
- Do not place charcoal briquettes, wood or lump charcoal directly into bottom of grill. Place only on charcoal grid.
- Do not use gasoline, kerosene, or alcohol for lighting charcoal. Only use starter fluid made for barbecue grill to start charcoal.
- During initial start up remove lid until charcoal turn to white coals. Use caution when opening the lid. Do not expose any part of your body directly above grill when lighting and cooking as high heat and steam can escape and severely burn you.
- Never handle grill while in use. Use long handled barbecue tools to avoid burns from heat, flare ups, and splatters. Use oven mitts to protect hands from burns.
- Do not use hot grill near electrical cords, in high winds, near flammable liquids, gases or where flammable vapor is present.
- Do not cover entire cooking area with aluminum foil. Always use a meat thermometer to ensure food is cooked to a safe temperature.
- Never move or remove the ashes until the grill is completely cool. Always empty ashes from grill after use.



Questions, problems, missing parts? Before returning to your retailer, call our customer service department at 1-800-626-5296, 8 a.m. - 4:30 p.m. EST, Monday - Friday, or email customerservice@kayhomeproducts.com.

Des questions, des problèmes, des pièces manquantes? Avant de retourner l'article au détaillant, appelez notre service à la clientèle au 1-800-626-5296, 8 h à 16 h 30, du lundi au vendredi, email customerservice@kayhomeproducts.com.

28227_30052_102918

Made in China

Fabriqué en Chine

Hecho en China

Parts List

Thoroughly inspect contents of box before assembly to ensure that there are no missing or damaged parts. If you have missing or damaged parts **DO NOT RETURN PRODUCT TO STORE**. Contact the Kay Home Products Customer Service Department at the toll free number listed on the front of this manual.

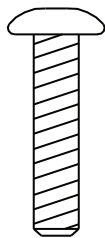
Approximate Assembly Time: One Hour

Parts List

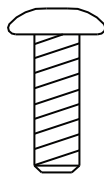
Item	Qty	Part Name	Item	Qty	Part Name
A	1	Bowl	H	2	Vent Door Bracket
B	1	Leg (Right Rear)	I	2	Vent Door
C	1	Leg (Right Front)	J	2	Charcoal Grid
D	1	Leg (Left Front)	K	1	Cooking Grid (Left)
E	1	Leg (Left Rear)	L	1	Cooking Grid (Right)
F	2	Grid Support	M	2	Cooking Grid Handle
G	2	Side Handle			

Hardware List

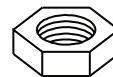
Item	Qty	Part Name
S1	14	Long Screw
S2	8	Short Screw
N1	22	Hex Nut



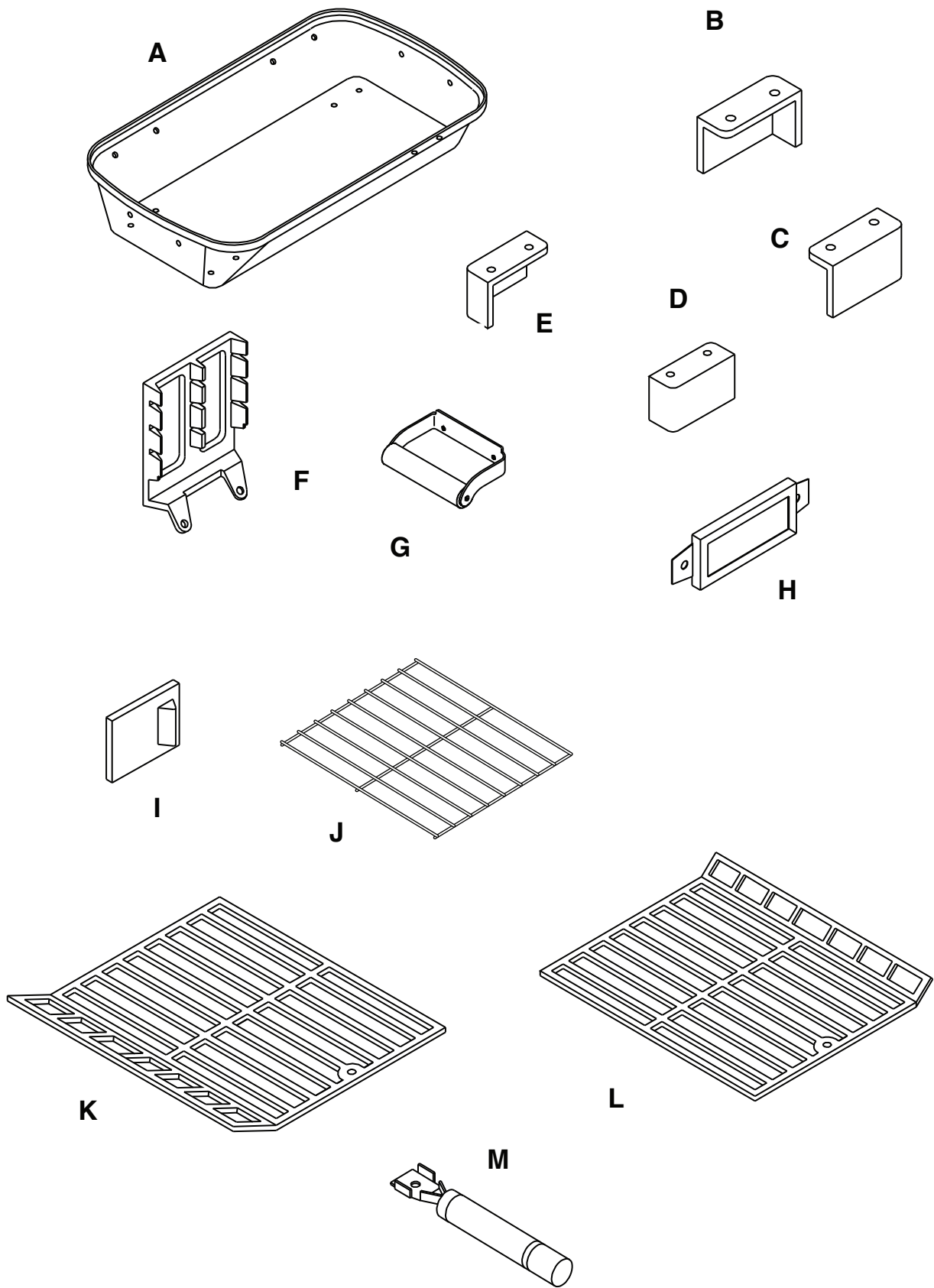
S1



S2



N1



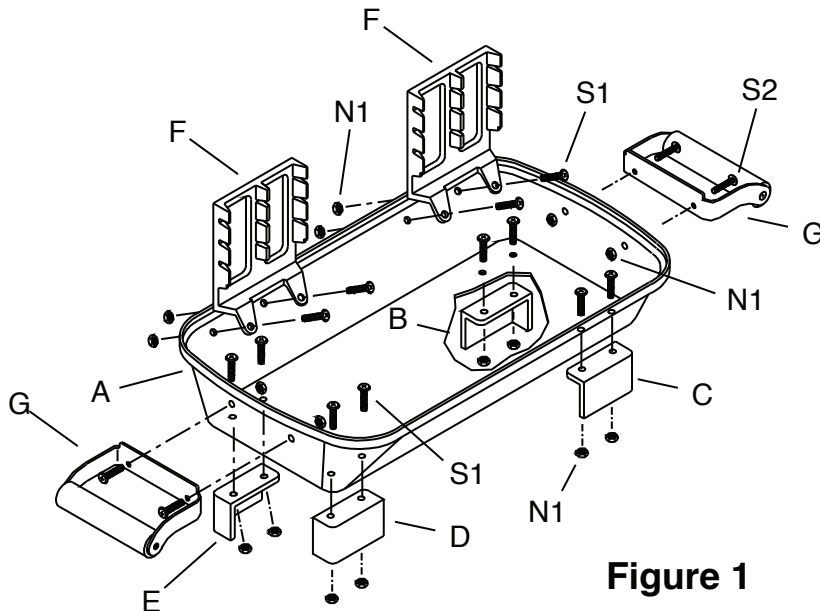


Figure 1

1. Attach Legs (Items B, C, D, and E) to bottom of Bowl (Item A) as shown in Figure 1 using Long Screws (S1) and Nuts (N1).
2. Attach Grid Supports (Item F) to inside rear of Bowl (Item A) as shown in Figure 1 using Long Screws (S1) and Nuts (N1).
3. Attach Side Handles (Item G) to sides of Bowl (Item A) as shown in Figure 1 using Short Screws (S2), and Nut (N1).

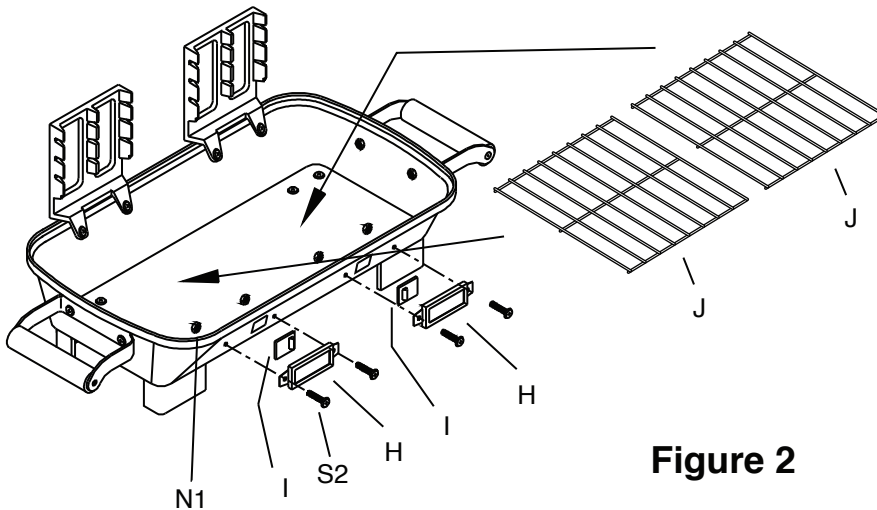
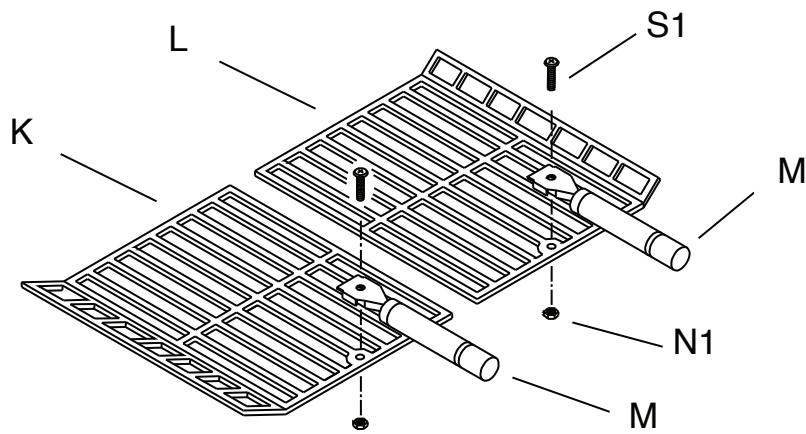


Figure 2

4. Attach Vent Doors (Item I) and Vent Door Brackets (Item H) to outside front of Bowl (Item A) as shown in Figure 2 using Short Screws (S2), and Nuts (N1). The vent door fits in between the bracket and the bowl.
5. Place Charcoal Grids (Item J) inside of Bowl (Item A) as shown in Figure 2. When in use, the charcoal must be placed on top of these grids.

Figure 3



6. Attach Cooking Grid Handles (Item M) to Cooking Grids (Item K, L) as shown in Figure 3 using Long screws (S1) and Nuts (N1).

7. Insert the rear edge of the cooking grids into slots in Grid Supports (Item F) as shown in Figure 4. Using the lower slots will provide higher cooking temperature. Using the higher slots will produce a lower cooking temperature.

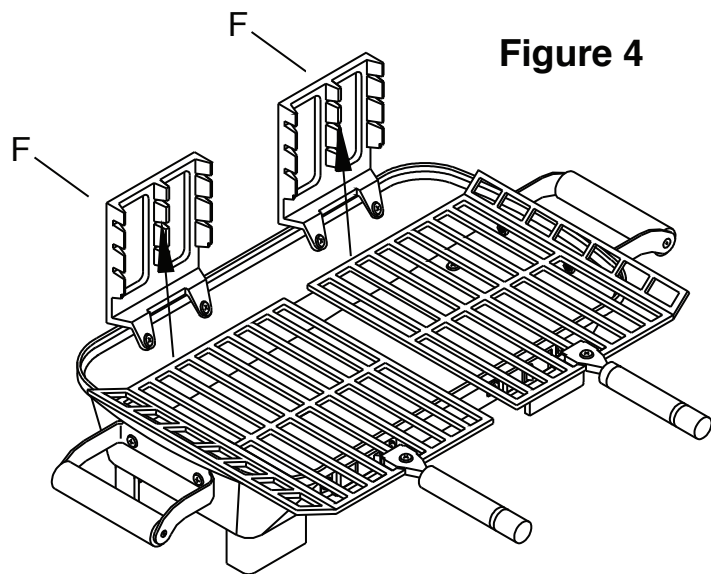


Figure 4

Cleaning

Allow grill to cool completely before cleaning. Disassemble grill and scrape off grease. Clean with hot, soapy water and rinse completely. Use a wire brush if necessary on cooking grid. Do not use a self-cleaning oven agent to clean any part of the grill.

Storage

Allow grill to cool completely before transporting or storing. Place grill on a firm, level surface.

<p>⚠️ WARNING</p> 	<p>CARBON MONOXIDE HAZARD</p> <p>Burning wood or charcoal inside can kill you. It gives off carbon monoxide, which has no odor.</p> <p>NEVER burn wood or charcoal inside homes, vehicles or tents.</p>
<p>⚠️ AVERTISSEMENT</p> 	<p>RISQUE DE MONOXYDE DE CARBONE</p> <p>Allumer du bois ou charbon à l'intérieur peut vous tuer. Ceci émet du monoxyde de carbone, qui n'a pas d'odeur.</p> <p>JAMAIS brûler du bois ou charbon de bois à l'intérieur de maisons, véhicule ou tente.</p>
<p>⚠️ ADVERTENCIA</p> 	<p>RIESGO DE MONOXIDE DE CARBONO</p> <p>Encender madera o carbones en un espacio cerrado puede ser mortal, ya que produce la emisión de monóxido de carbono, un gas sin olor.</p> <p>NUNCA encienda madera o carbones dentro de su casa, vehículo o tienda de campaña.</p>

WARNING:

Combustion byproducts produced when using this product include carbon monoxide and other chemicals known to the State of California to cause cancer, birth defects or other reproductive harm.

AVERTISSEMENT:

Les sous-produits de combustion produits lors de l'utilisation de ce produit incluent le monoxyde de carbone et autres produits chimiques reconnus par l'État de la Californie pouvant causer le cancer, malformations congénitales et autres anomalies de la reproduction.

ADVERTENCIA:

Entre los subproductos de combustión producidos al utilizar este producto se encuentran el monóxido de carbono y otras sustancias químicas que según el estado de California producen cáncer, defectos de nacimiento u otros daños reproductivos.