

Tommy Bahama®

OUTDOOR LIVING

Setup and Operating Instructions for Gas Fire Pits

WARNING: Please read these setup and operating instructions carefully before setup, operation or service of this gas fire pit. Do not operate if you are uncertain as to the meaning of any instructions or warnings. Improper installation, adjustment, alteration, maintenance, service or use of this product may result in property damage, personal injury or the potential loss of life.

Save these instructions for future reference. If you are assembling this unit for another person, give this manual to the fire pit operator to read and save for future reference. If ownership of the product is transferred, this manual should be provided to the new owner.

Do not use or store gasoline or other flammable substances in the vicinity of this product.

WHAT TO DO IF YOU SMELL GAS FUMES:

- 1) Do not ignite a match or lighter of any kind that would generate a spark or flame
- 2) Do not touch or make contact any electric switches
- 3) Do not use any phone (including cell phones) in the vicinity of the gas source
- 4) Make certain that the valve on the propane tank has been fully closed
- 5) If the smell of fumes persists, call the local fire department from a remote phone

WARNING: This product is for outdoor use only. Caution should be used when using this product on, under, or near structures that could catch fire such as wooden decks, vinyl siding, or porches with overhangs.

WARNING: This product produces high temperatures that will create hot surfaces. Appropriate care should be used to avoid physical contact with these surfaces.

WARNING: Do not use this product during windy conditions.

WARNING: This product should be used on a flat and stable surface to avoid overturning.

WARNING: Do not leave unattended when in use or connected to a fuel supply. Do not leave the remote control igniter in a location where it can be accessed or used by children.

WARNING: This product includes small components such as glass crystals that may pose a choking hazard or cause significant physical injury if swallowed. Appropriate care must be taken to prevent children from having unsupervised access to this product or any of its components.

WARNING: Maintenance or service on this product pit must be performed by a qualified installer or licensed service professional.

GENERAL INFORMATION

- 1) This device can produce carbon monoxide that has no odor. Never use in an enclosed space of any kind, including but not limited to the inside of a home, garage or building. Use in such an enclosed space can be potentially fatal.
 - 2) Make certain that the outdoor area in which the product is being used offers acceptable cross ventilation.
 - 3) Gas cylinders must be stored outdoors in a well-ventilated area, out of the reach of children. Disconnected cylinders must have threaded valve plugs tightly installed and must not be stored in a building, garage or other enclosed area.
 - 4) Check with your local fire safety authority if you have any questions about the use or operation of portable gas cylinders or this gas fire pit.
- *Operator should inspect the product before each use. It should be inspected at least annually by a qualified service technician. More frequent cleaning may be required as necessary. It is imperative that the control compartment, burner and circulation air passageways of the unit are kept clean and free of debris.*
 - *If it is evident that there is excessive abrasion or wear on any of the components, they must be replaced prior to the product being put into service.*
 - *The operator of this gas fire pit should alert adults and children to the hazards of high surface temperatures and the danger of burns or clothing ignition. Adults and children should maintain a reasonable distance from the open flame and hot surfaces. Flammable materials should not be placed near the fire pit.*
 - *Young children should be closely supervised when in the area of the product. Do not leave this gas fire pit unattended, especially around children or pets.*
 - *Solid fuels such as wood, paper, or trash should not be burned in this gas fire pit. This product is designed for decorative purposes only, and should not be used for heating, cooking, or drying.*
 - *Do not attempt to assemble or operate this fire pit while under the influence of any type of alcohol or medication. Use this gas fire pit in accordance with all applicable local state and national codes.*
 - *Any guard or protective device removed in order to service the device must be replaced prior to operating the fire pit.*
 - *Inspect the fuel supply for evidence of leakage prior to each use of the fire pit. The pressure regulator and hose assembly supplied must always be used.*

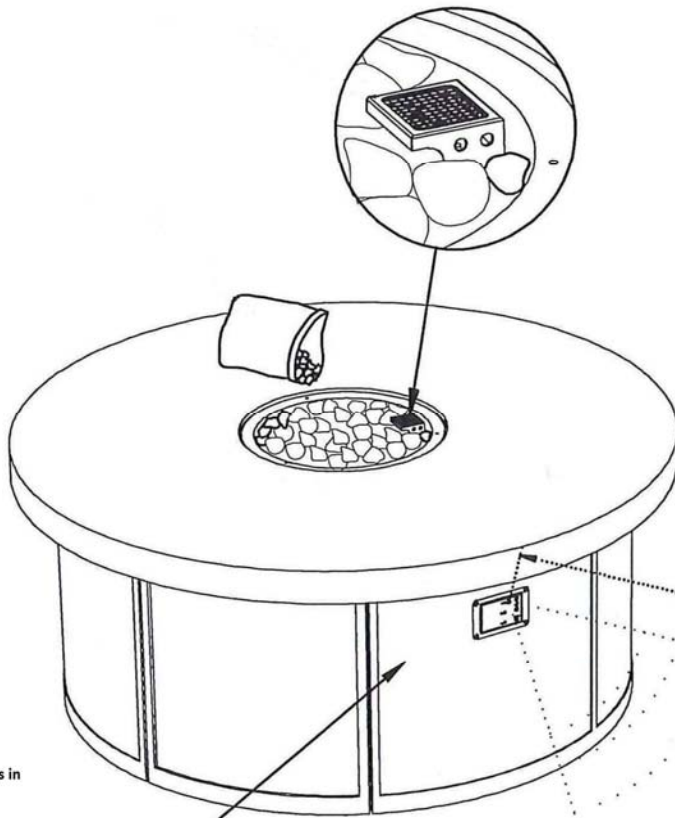
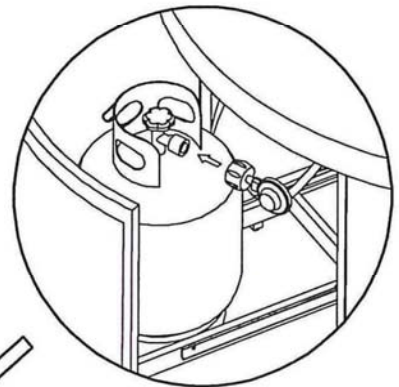
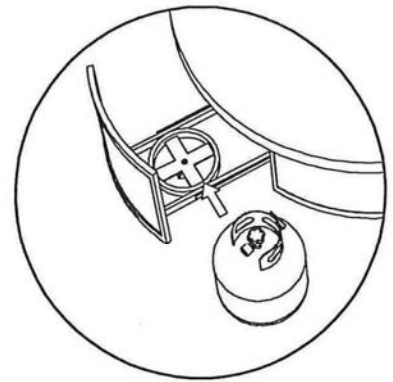
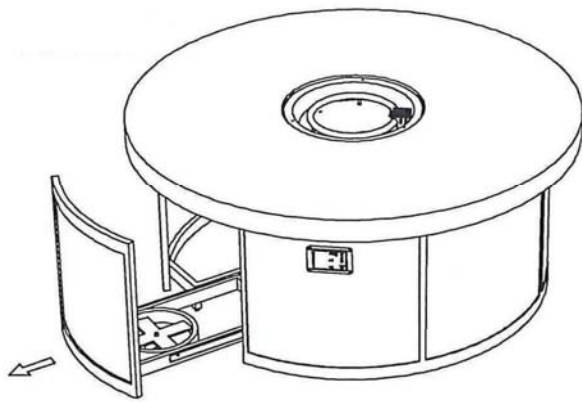
- *The 20 lb. gas cylinder must be constructed and marked in accordance with the specifications for Liquid Propane-Gas cylinders as required by the U.S. Department of Transportation (DOT) or the Canadian Transportation Commission (CTC).*
- *The 20 lb. gas cylinder used must include a collar to protect the cylinder valve.*
- *When the unit is not in use, the gas supply must be turned completely off using the valve on the cylinder tank.*

SETUP INSTRUCTIONS

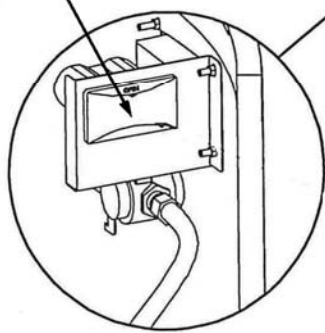
- 1) Place the fire pit in the desired location. Make sure that it is placed outdoors in a well-ventilated area away from any flammable structures, awnings, vegetation, etc.
- 2) Open the sliding carriage door on the side of the unit by pulling straight out on the door.
- 3) Install (2) D batteries in the battery box of the master control unit inside the fire pit. Install (2) AAA batteries in the remote control device. Batteries are not included in shipping.
- 4) Place your 20 lb. Liquid Propane tank onto the carriage. Make sure that the base of the cylinder is nested into the metal ring on the carriage.
- 5) Connect the regulator assembly to the gas cylinder by hand-tightening the black QCC1 nut clockwise until firmly seated. Do not use a wrench or over-tighten.
 - a. Note that the installation must conform with Local Building and/or Fire Codes or, in the absence of local codes, with the National Fuel Gas Code ANSI Z223.1/NFPA 54 in the United States or CSA B149.1 Natural Gas and Propane Installation Code in Canada.
 - b. Do not use the product if any part has been submerged under water. Immediately call a qualified service technician to inspect the unit and to replace any part of the control system and any gas control that has been under water.
- 6) Open the bag containing the decorative glass crystals and carefully place them in the burner bowl making sure not to cover the screen that protects the ignition system.
- 7) Purge the gas supply line of any trapped air prior to the first lighting of the unit. See Operating Instructions section below for details.
- 8) This product is designed to use Liquid Propane fuel only. Do not attempt to use natural gas as a fuel.

STORAGE INSTRUCTIONS

1. Do not move or store this gas fire pit until the fire has been extinguished and the appliance is cool to the touch.
2. Disconnect the gas source and install the valve plug in the propane tank
3. Store the fully assembled unit in a ventilated location away from children and pets.



Install (2) batteries in battery box.



15 feet

25 degrees



**** CHECKING FOR LEAKS ****

Perform leak test in a well-ventilated area outdoors where no source of spark can occur. Make sure that all open flames are extinguished. Do not operate the gas fire pit until the connection has been leak tested and has shown that there is no leak.

Remove the batteries from the igniter before performing any leak testing.

Open the tank valve fully by slowly turning handle counter-clockwise. Use a soapy water solution to check all connections between the propane tank and the burner unit control box. Bubbles indicate a leak. If a leak is found, turn the tank valve off and do not use the appliance until a qualified service technician makes repairs.

OPERATING INSTRUCTIONS

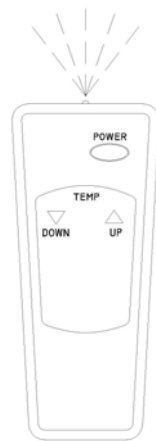
- After connecting the gas line and checking for leaks, the unit is ready to be lit. Upon the initial use, a small amount of air will be in the lines. When first lighting the burner, it will take a few seconds for the lines to purge themselves of this air.
- Once purging is complete, the burner will light and operate as indicated in the instruction manual. Subsequent lighting of the unit will not require purging unless the gas supply has been disconnected.
- **WARNING:** Read and follow the safety and lighting instructions in this manual and on the labels on the appliance. **IMPROPER SETUP OR USE COULD RESULT IN A FIRE OR EXPLOSION RESULTING IN PROPERTY DAMAGE, INJURY OR LOSS OF LIFE.**

FOR YOUR SAFETY, READ BEFORE LIGHTING

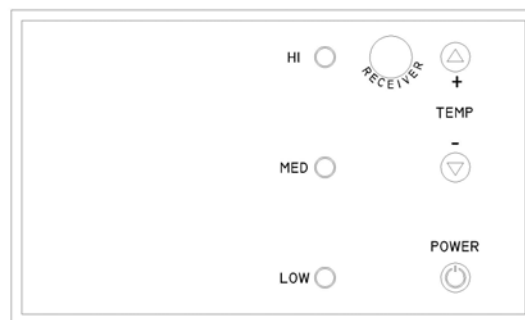
- 1) Make sure you are familiar with the owner's manual and you understand all precautions noted.
- 2) Before operating, smell around the appliance and next to the ground for gas odors because some gasses are heavier than air and may settle on the ground.
- 3) Use only your hand to turn the gas control valve. Never use tools. If the valve will not turn (that is, without the use of a tool), do not try to repair it. Call a qualified service technician.
- 4) Do not use the appliance if any part has been submerged under water. Immediately call a qualified service technician to inspect the unit and to replace any part of the control system and any gas control that has been under water.
- 5) Make sure the igniter batteries have been installed properly. The igniter will not operate otherwise.
- 6) Inspect hoses to make sure there are no kinks in them.

LIGHTING INSTRUCTIONS USING INFRARED REMOTE CONTROL

- 1) Make sure that batteries are installed in both the gas control unit on the appliance and in the remote control device. The control unit on the appliance requires (2) D batteries, while the remote control unit requires (2) AAA batteries. Batteries are not included in shipping.
- 2) Aim the remote control at the Receiver Panel on the appliance and hold the "POWER" button for 2 seconds so the child safety lock system is released. Then, you will hear a repeating sparking sound. The burner will ignite automatically, defaulting to HIGH. There are three flame settings on this unit – LOW, MEDIUM, HIGH. The remote control must be aimed at the receiver panel when using the device. The receiver receives a signal from up to 15 feet away and within a 25-degree angle.
- 3) Using the "TEMP" buttons, you can adjust the height of the flame "UP" or "DOWN" as you wish.
- 4) If the remote control unit is unavailable, you can control the unit by using the control buttons on the fire pit's receiver panel. Locate the panel on the unit and hold the "POWER" button for 2 seconds and the child safety lock system is released. Then, you will hear a repeated sparking sound and the burner will ignite automatically. You may then adjust the flame setting by using the "+" and "-" buttons on the panel. Pressing and holding the "POWER" button will turn the unit off.
- 5) The gas supply will automatically shut off after approximately 10 seconds (+/- 3 seconds) if a flame does not start or it is extinguished. If this happens, wait 5 minutes for gas fumes to clear, and re-try or refer to the troubleshooting section if the unit does not re-start.
- 6) After operation, remember to turn the valve on top of the gas cylinder to the OFF position.



Infrared Remote



Control Panel on Unit

OPERATIONAL NOTES

- 1) DO NOT move the unit for at least 60 minutes after use to allow for cooling.
- 2) Allow the burner and glass crystals to cool completely before touching.
- 3) Glass crystals may be sharp. Before handling, make certain they have cooled completely and handle them wearing protective gloves to prevent injury.
- 4) Unique safety features of the Remote Control:
 - a. When ignition batteries are exhausted, the pilot burner flame will extinguish automatically and gas supply will be cut off.
 - b. When the fire pit is operating, the control unit can automatically detect any breakdown and will automatically cut both the power and gas supply.
- 5) The infrared remote control unit is not weatherproof and should not be left outside when the unit is not in use. Store indoors in a dry and secure location.

MAINTENANCE

- 1) The appliance should be inspected before initial use and inspected at least annually by a qualified service technician.
- 2) Tampering or failure to follow all directions and warnings is DANGEROUS and voids all warranties. Any component found to be faulty or damaged must be replaced by a qualified service technician with an approved component.
- 3) This unit is designed for the valve to be fully opened from the fuel source. If not operating at full fuel flow, black smoke may start to occur. Always make certain that the valve on the gas tank is in the full open position during operation of the unit to prevent smoke.
- 4) Periodically remove the glass crystals and examine the burner unit and its components. If the components are dirty, clean with soft brush and soapy water solution before carefully replacing. Also examine the area around the burner. Any dirt or foreign material, such as spider webs or nests should be removed. This will ensure trouble-free operation.
- 5) Periodically check the hose that connects to the gas cylinder to ensure that it is not cracked or damaged in any way. Perform leak tests at least annually and replace the hose when excessive wear or damage is observed.