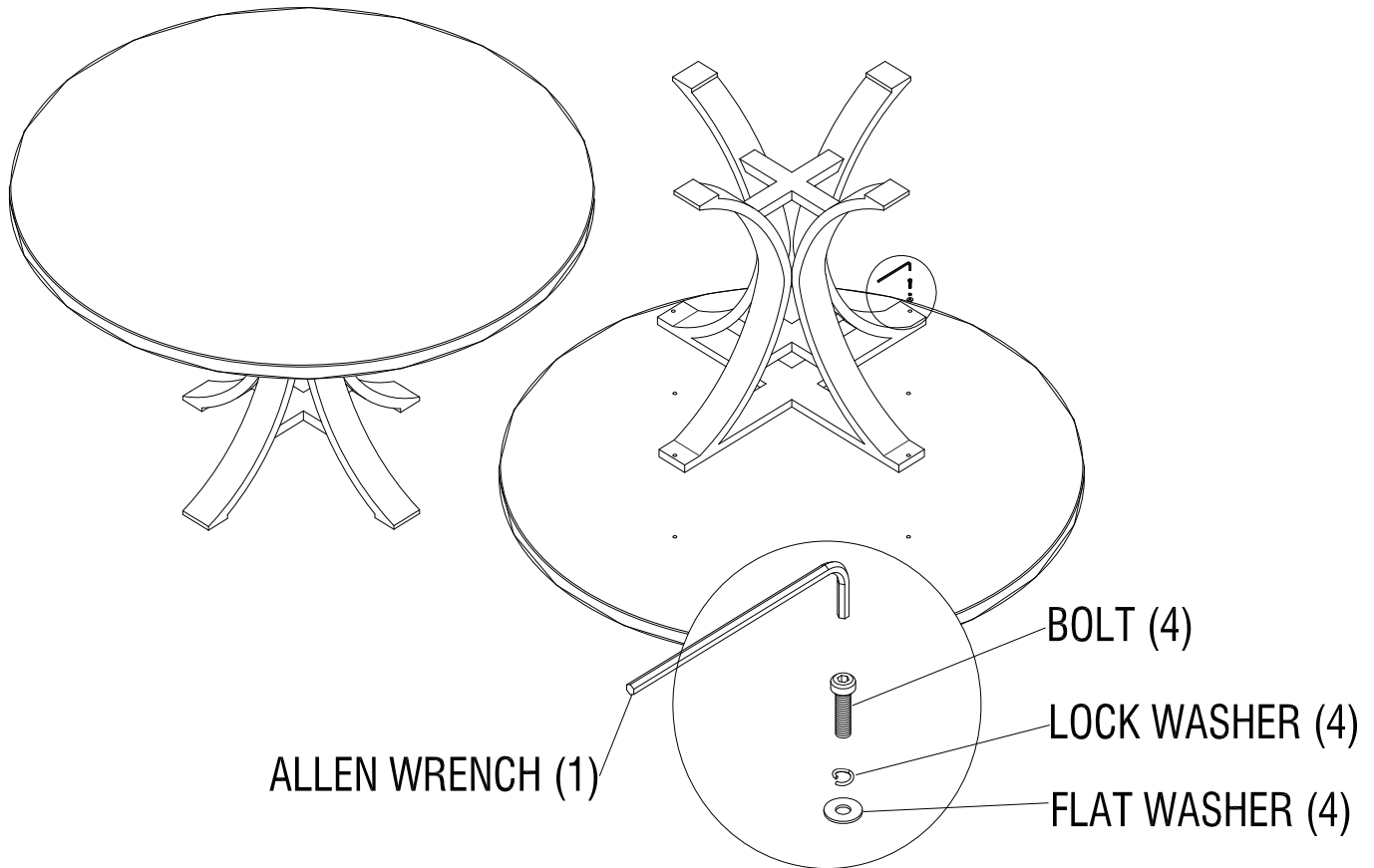


Tommy Bahama®

OUTDOOR LIVING

ASSEMBLY INSTRUCTIONS

3230-870 Round Dining Table



1. Place table top upside-down on clean, flat, non-marring surface.
2. Position base on top so that holes on base align with holes on top, as shown in above diagram.
3. Use Allen wrench to attach base to top with (4) flat washers, (4) lock washers, and (4) bolts. Do not fully tighten bolts until all (4) bolts have been hand-tightened.
4. Return assembled table to its upright position and place in desired location.

For additional consumer assistance please contact your Tommy Bahama Outdoor Living dealer or call our Consumer Services Department at 1-336-474-5444, Monday-Friday, 8-5 Eastern