

# Fire Magic®

The Ultimate Barbecue

**REVIEWED**

By amorales at 8:02 am, 2/2/05

## INSULATING LINER FOR REGAL DROP-IN BARBECUE MODEL #3270-50

The Regal Drop-In Insulating Liner Kit comes fully assembled with two hanging brackets, ready for installation. The cabinet opening dimensions for this unit must be a minimum of 24 1/4" deep x 44 7/8" wide x 24 3/4" high. Countertop material may be placed up to the insulating liner. **Do not cover the liner.**

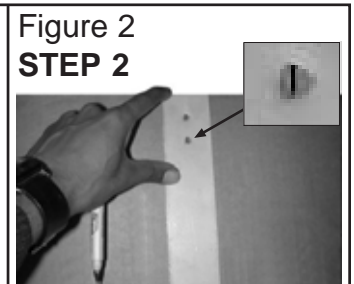
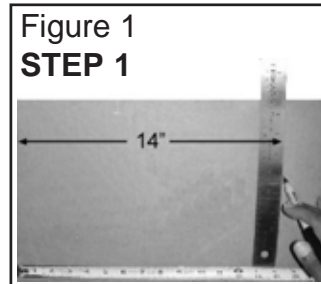
### INSTALLATION OF YOUR FIRE MAGIC BARBECUE INSULATING LINER

To install the Regal Drop-In Insulating Liner ensure cabinet opening is sized correctly then follow the three simple steps below.

**STEP 1:** On the front and back inside walls of the opening, pencil in four vertical lines 14" from the outer edge of the opening (see Figure 1 and 3).

**STEP 2:** Now align the top of the hanging brackets with the surface edge of the opening, while lining your holes up with your penciled line (see Figures 2 and 3), insert screws (not provided) and tighten.

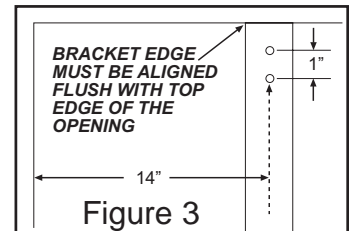
**STEP 3:** Then slide the fully assembled insulating liner down into place. You are now ready to drop-in your Regal barbecue.



### INSTALLATION OF YOUR FIRE MAGIC BARBECUE

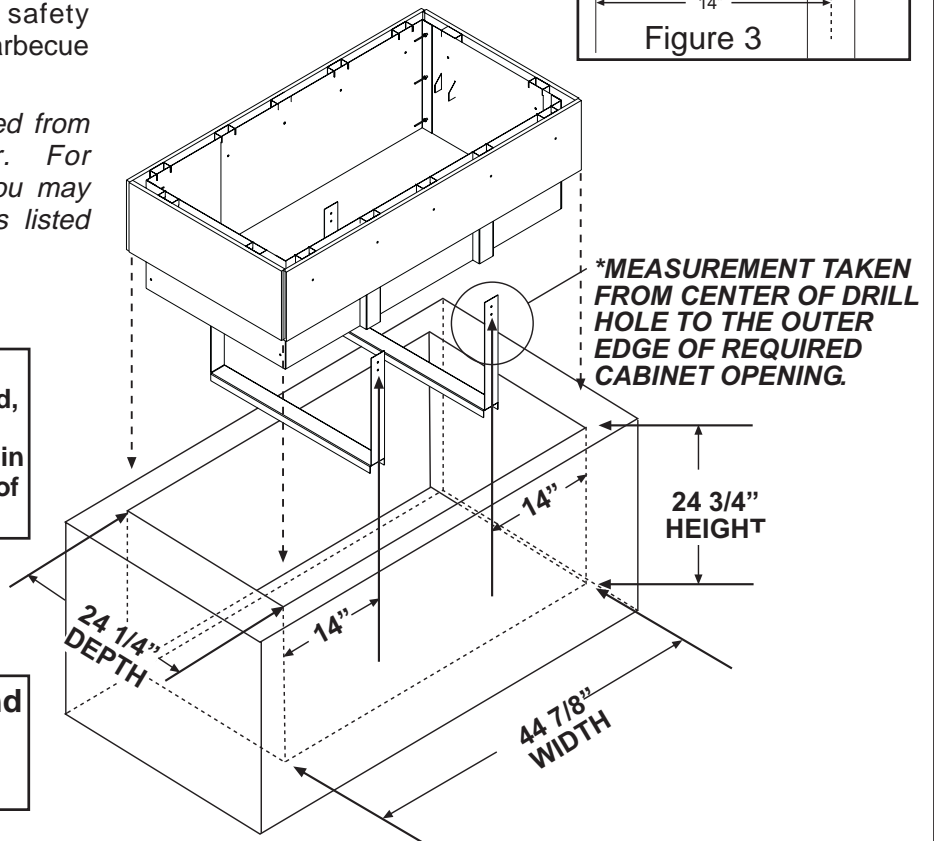
To install and operate your Fire Magic barbecue, please refer to the installation and operating instructions and safety precautions enclosed with your barbecue unit.

Replacement parts may be obtained from your nearest Fire Magic Dealer. For assistance in locating a dealer, you may contact the factory at the address listed below.



This manual may not be copied, photocopied, reproduced, translated, or published in any electronic or machine-readable form in whole or in part without prior written approval of Robert H. Peterson Co.

We reserve the right to amend product specifications without prior notice.



Robert H. Peterson Co. 14724 East Proctor Avenue, City of Industry, CA 91746