



5 SERIES 30"W. INDUCTION RANGE

Viking Professional 5 Series – VISC

COMMERCIAL-TYPE COOKING POWER

- Only 30" wide commercial-type induction self-cleaning range in the industry
- MagneQuick™ Induction Power Generators utilize magnetic energy for superior power, responsiveness, and efficiency
- Power management induction system provides a boost of superior power on select elements for faster boil times
- Wide range of surface elements and wattages
 - Right front – 7" 1,850-watt element
 - Right rear – 7" 1,850-watt element
 - Left front – 8" 3,700-watt boost/2,300-watt element
 - Left rear – 6" 1,400-watt element
- **EXCLUSIVE** – Largest oven cavity in the industry
- **EXCLUSIVE** – patented Vari-Speed Dual Flow™ Convection System has the largest convection fan in the industry; the 8-1/2" fan works bi-directionally for maximum airflow and excellent cooking results
- Concealed 10-pass dual bake element provides precise temperature control
- Extra-large Gourmet-Glo™ Glass-Enclosed Infrared Broiler provides superior broiling performance
- Rapid Ready™ Preheat provides one of the fastest preheat times, so your oven is ready to begin cooking when you are
- Oven has six porcelain-coated rack supports and comes standard with one TruGlide™ Full Extension Oven Rack and two standard oven racks
- Three strategically located oven lights provide maximum visibility
- Heavy-duty broiler pan and tray provides more roasting and broiling options
- High-performance cooking modes include bake, convection bake, TruConvec convection cooking, convection roast, broil, convection broil, convection dehydrate, and convection defrost



EASY OPERATION AND CLEANUP

- Strong, wear-resistant glass ceramic surface for excellent cleanability
- Self-cleaning porcelain oven
- Concealed 10-pass dual bake element makes for easy cleanup of the oven cavity

MODEL NUMBERS

- VISC5304B – 30"W. Induction Range; four burners

ACCESSORIES

- P30BG8SS – 8"H. backguard for 30" range
- B30HS24SS – high shelf for 30" range
- P24CSTSS – countertop side trim (2 pieces)
- P30CRTSS – countertop rear trim for 30" range
- P30CBF4SS – curb base and custom curb base front for 30" range

COLOR FINISHES

- Available in seven exclusive color finishes
- Stainless Steel (SS), Black (BK), White (WH), Apple Red (AR), Burgundy (BU), Cobalt Blue (CB), Graphite Gray (GG)



WARRANTY

- 2-year full – complete product
- 90-day full – cosmetic parts such as glass, painted items and decorative items
- 5-year limited – electric heating elements

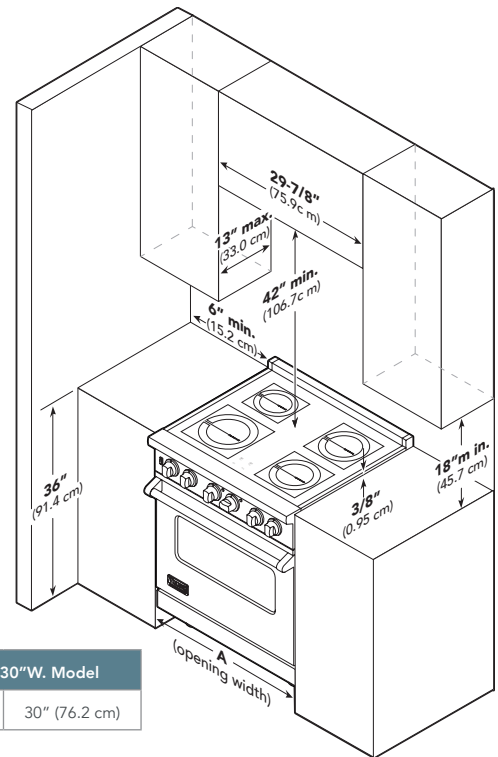
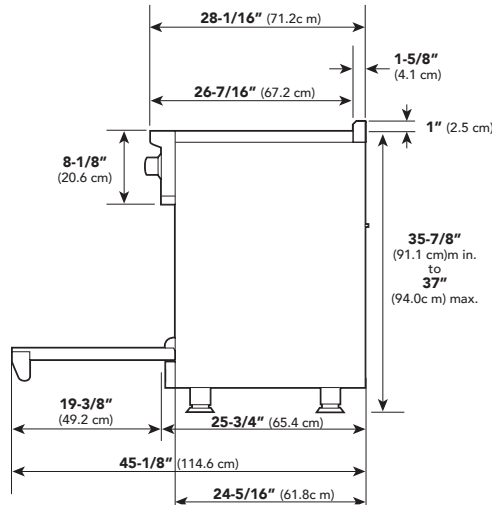
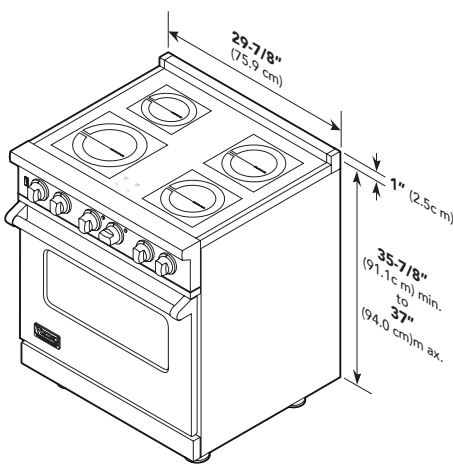


5 SERIES 30"W. INDUCTION RANGE

Viking Professional 5 Series – VISC

| 30"W. INDUCTION RANGE | |
|-------------------------------|---|
| DESCRIPTION | VISC530 |
| Overall Width | 29 7/8" (75.9 cm) |
| Overall Height from Bottom | Base Height To top of glass frame – minimum 35 7/8" (91.1 cm) to maximum 37" (94 cm); legs adjust 1 1/8" (2.9 cm) Additions to Base Height To top of island trim – add 1" (2.5 cm); to top of backguard – add 8" (20.3 cm) To top of high shelf – add 23 1/2" (59.7 cm) |
| Overall Depth from Rear | To end of side panel – 24 5/16" (61.8 cm) To front of door – 25 3/4" (65.4 cm) To end of door handle – 28 11/16" (72.9 cm) |
| Gas Requirements | Shipped natural or LP/Propane gas; field convertible from natural to LP wit |
| Electrical Requirements | 240-208VAC, 60 Hz electrical connection box on product, connect with locally supplied 3-wire, flexible cord or "pigtail" rated 40 amp 125-250VAC minimum. Cord must be agency approved for use with household electric ranges. |
| Maximum Amp Usage | 240V – 54.9 amps 208V – 51.7 amps |
| Surface Burner/Element Rating | Left Front: 3,700-watt boost/2,300 watts Left Rear: 1,400 watt Right Front: 1,850 watts Right Rear: 1,850 watts |
| Oven Interior Dimensions | Overall Width – 25-5/16" (64.6 cm) Height – 16-1/2" (41.9 cm) Depth – 19-1/2" (49.5 cm) Overall Size – 4.7 cu. ft. AHAM Standard* – 4.1 cu. ft. 3 racks, 6 rack positions |
| Approximate Shipping Weight | 426 lb. (191.7 kg) |

Please do not prepare installation from brochure data only. See installation instructions for important clearance/installation information.
 **The AHAM Standard for measuring oven capacity subtracts the door plug and convection baffle dimension from the total oven volume.
 208V ratings – Time required for some functions may be extended due to less wattage.



| 30"W. Model | |
|-------------|---------------|
| A | 30" (76.2 cm) |



VIKING RANGE, LLC 111 FRONT STREET GREENWOOD, MISSISSIPPI 38930 USA

For detailed product information, model numbers, or to request a quote call 1-888-845-4641 or visit vikingrange.com
 © 2015 Viking Range, LLC All rights reserved. Specifications subject to change without notice.