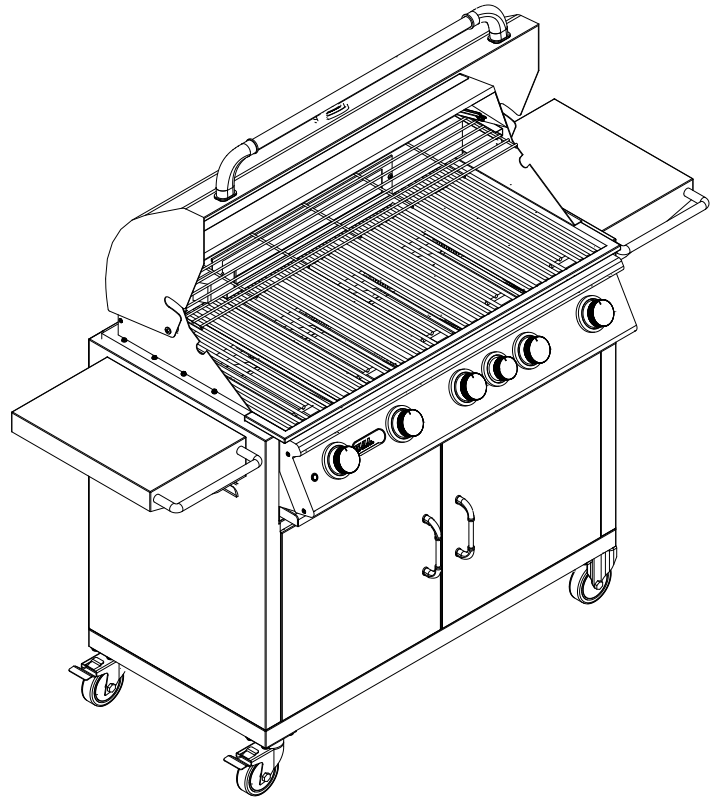


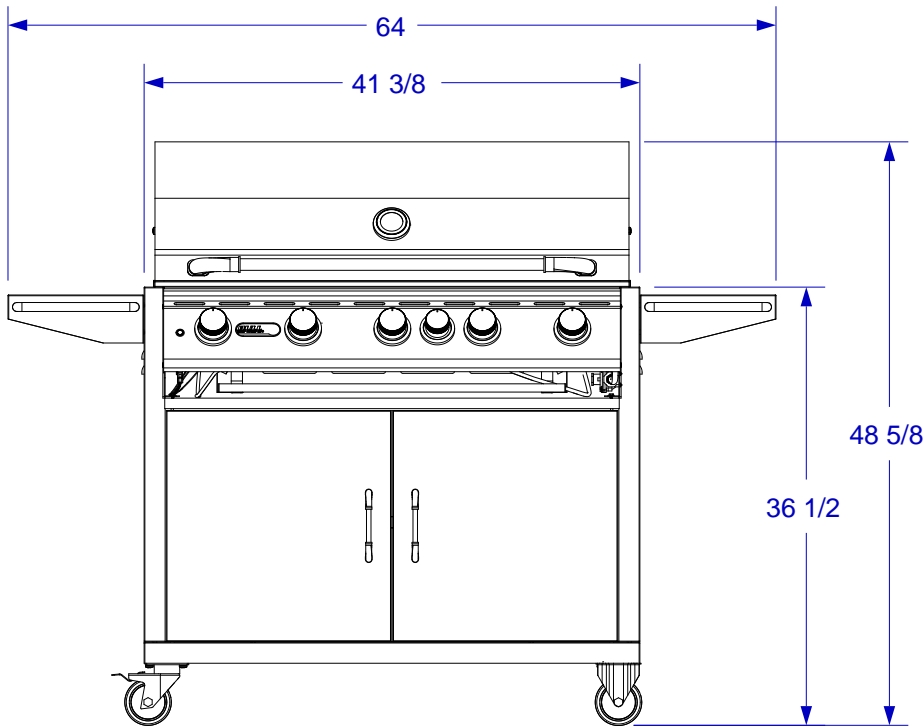


BRAHMA CART

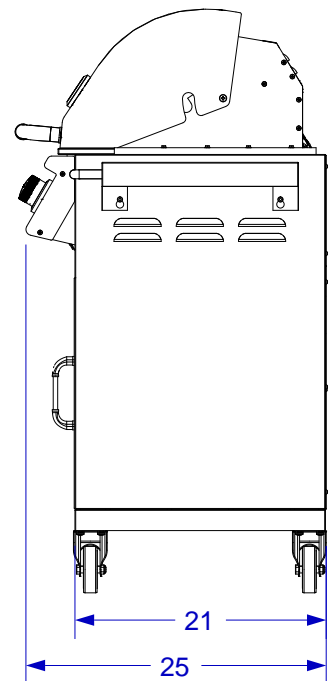
SPEC SHEET



ISOMETRIC VIEW



FRONT VIEW



RIGHT SIDE VIEW

- NOTES:**
1. SCALE: 3/4" = 1'-0"
 2. REVISION: 09/2013