



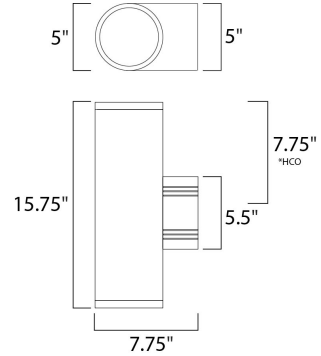
Lighting Your Life Since 1970

Product Specifications - 6102ABZ

Job Name:	Job Type:
Quantity:	Comments:



**6102ABZ**  
Lightray 2-Light Wall Sconce



\*Height from center of outlet to the top of the fixture

**Finish**

Architectural Bronze

**Glass/Shade**

**Product Category**

Outdoor Wall Mount

**Lamping**

<b>Number of Bulbs</b>	2
<b>Light Type</b>	Incandescent
<b>Bulb Type</b>	R30 MB
<b>Max Bulb Wattage</b>	75
<b>Max Fixture Wattage</b>	150
<b>Rated Life</b>	
<b>Rated Lumens</b>	±0
<b>Color Temp</b>	
<b>Bulb(s)</b>	Not Included
<b>Light Up/Down</b>	BOTH
<b>Beam Spread</b>	N/A
<b>CRI</b>	N/A
<b>Photo Cell Included</b>	N/A
<b>Ballast/Driver/Transformer</b>	No
<b>Dimmable</b>	N/A

**Measurements**

<b>Width</b>	5.00"
<b>Height</b>	15.75"
<b>Length</b>	N/A
<b>Extension</b>	8"
<b>Back Plate Width</b>	5.00"
<b>Back Plate Height</b>	5.50"
<b>HCO</b>	7.75"
<b>Min Overall Height</b>	0.00"
<b>Max Overall Height</b>	N/A
<b>Hanging Weight</b>	3.75 lbs
<b>Height Adjustable</b>	N/A
<b>Slope</b>	N/A
<b>Chain Length</b>	N/A
<b>Wire Length</b>	N/A
<b>Canopy Width</b>	N/A
<b>Canopy Height</b>	N/A
<b>Canopy Length</b>	N/A

**Shipping**

<b>Carton Weight</b>	4.19 lbs
<b>Carton Width</b>	8"
<b>Carton Height</b>	18"
<b>Carton Length</b>	10"
<b>Carton Cubic Feet</b>	0.81
<b>Master Pack</b>	4
<b>Master Pack Weight</b>	16.76 lbs
<b>Master Pack Width</b>	16.34"
<b>Master Pack Height</b>	19.09"
<b>Master Pack Length</b>	21.06"
<b>Master Cubic Feet</b>	3.80
<b>UPS Shippable</b>	Yes

**Certification**

<b>Safety Rating</b>	Wet
<b>Energy Star</b>	No
<b>CA Title 24</b>	No
<b>CA Title 20</b>	No
<b>ADA</b>	No
<b>Dark Sky</b>	N/A

**Other**

<b>UPC Code</b>	783209109971
<b>Shades Included</b>	N/A
<b>Crystals Included</b>	N/A
<b>Diffuser Included</b>	N/A
<b>Conversion Kit</b>	N/A
<b>Material</b>	N/A

**Equivalents**

<b>Incandescent Watts</b>	N/A
<b>Fluorescent Watts</b>	N/A

Maxim Lighting International and all designs, logos and images © 2015 Maxim Lighting International. All Rights Reserved. Maxim Lighting International reserves the right, at any time, to make changes in the design and/or construction of the product including the discontinuation of product without prior notice. Color may vary from what is pictured above due to limitations inherent to photographic processes.

Always consult a qualified, licensed electrician before installation of any product weighing 35 pounds or more. We recommend that a qualified, licensed electrician do the installation. Always install to a mechanically sound structure.