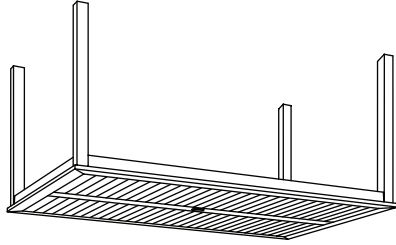


63" TRAVIRA TABLE



*About Materials*

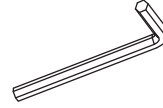
Powder coated aluminum takes metal to a new level of durability, as it is both scratch and rust resistant. Tekwood is a wood-alternative developed from polystyrene. Tekwood provides the look of wood without the weathering process or maintenance. Teak is a tropical hardwood, resistant to rotting, bug infestation, and the effects of wind, rain, sun, and snow. If left untreated Teak weathers naturally to a beautiful silver gray color. Some surface roughness may develop, especially at the end grain, but over a period of about one year, the natural weathering process will stabilize. Small surface cracks that may appear in no way affect the structural integrity of the furniture. Lite-Core is an engineered panel that combines the durability of natural granite stone and the light weight of aluminum. One of the hardest stones available, granite is a highly scratch and stain resistant solid surface that is backed with an aluminum honeycomb panel. This combination results in a beautiful surface that is durable and light weight.

*Care Instruction*

Aluminum and Tekwood require little maintenance, however a regular cleaning is recommended to keep furniture looking new. Wash gently with a mild cleanser, rinse well and let dry. Teak weathers well however, we recommend a routine application of Australian Timber Oil in extremely dry climates. A routine oiling is also recommended for furniture to be used for dining purposes to discourage staining from food and drink spills. For seasonal cleaning rinse the Teak well and then scrub (using a sponge or soft bristle brush) with a mild solution of water, laundry detergent and a little bleach. Rinse with fresh water. Lite-Core is maintained by using a soft rag and mild soap or pH balanced cleaner, rinse thoroughly, and dry with a clean rag. Avoid bleach and cleaners that are acidic, alkaline, or abrasive. To protect against stains, clean spills immediately and re-seal with a penetrating stone sealer twice a year. Scrape away gum or sticky material with a plastic putty knife.

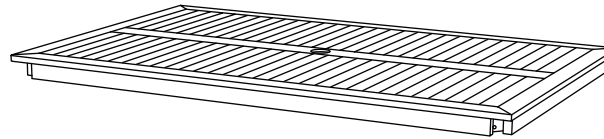
**Tools** (included)

Allen Wrench  
 QUANTITY: 1

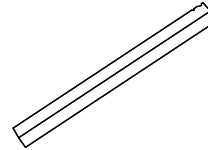


**Components**

① Table Top Assembly  
 QUANTITY: 1



② Corner Posts  
 QUANTITY: 4



③ Parasol Hole Cap  
 QUANTITY: 1



**Hardware**

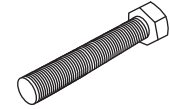
A Metal Washers  
 QUANTITY: 8



B Lock Washers  
 QUANTITY: 8



C Bolts  
 QUANTITY: 8



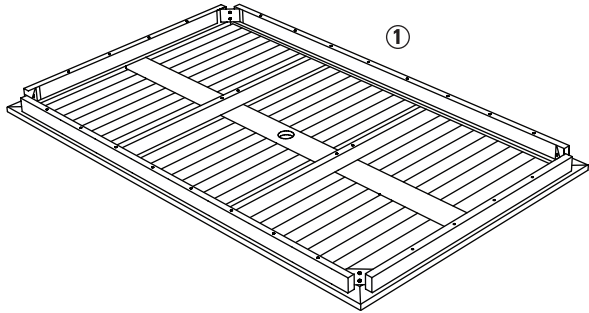
NOTE: Table top may vary from illustrations but the assembly is the same for all Travira 63" tables.

*Warranty*

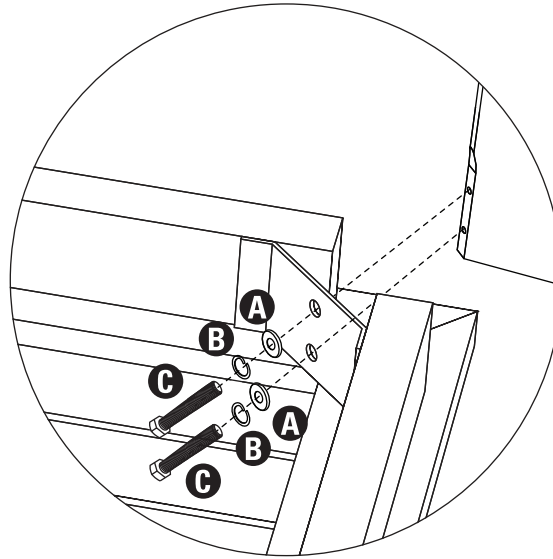
Oxford Garden warrants all outdoor furniture and accessories to be free from manufacturing defects in materials and workmanship. Provided the furniture is assembled correctly and is subjected to normal use, Oxford Garden will cover your outdoor furniture under the following five, three and one year warranties. For more details regarding the Oxford Garden warranty, visit [www.oxfordgarden.com/warranty](http://www.oxfordgarden.com/warranty).

**Step 1**

On a clean flat surface, lay table ① top upside down.

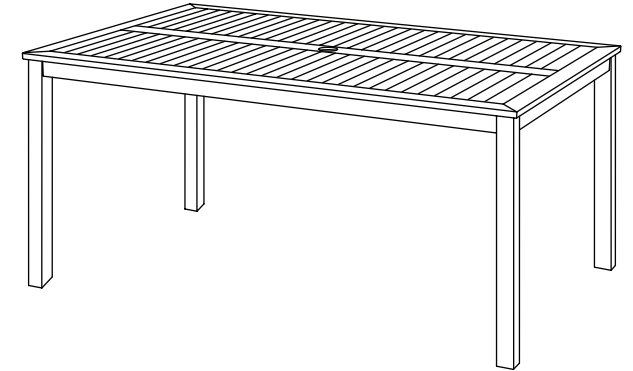


**Step 2 (detail)**



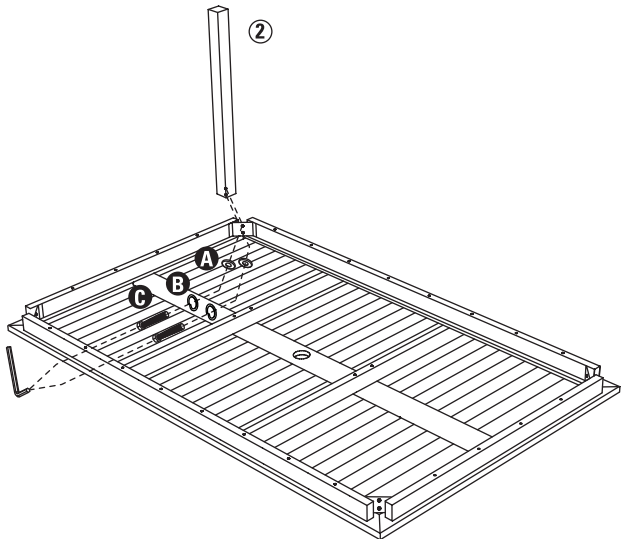
**Step 4**

Carefully turn the assembled dining table in an upright position.



**Step 2**

Using the provided wrench, secure corner post to the table top using a metal lock washer, B washer A and bolt C.



**Step 3**

Repeat step 2 for the remaining 3 corner posts.

