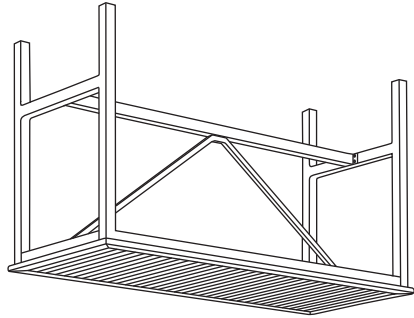


72" TRAVIRA RECTANGULAR BAR TABLE



OXFORD GARDEN

About Materials

Powder coated aluminum takes metal to a new level of durability, as it is both scratch and rust resistant. Tekwood is a wood-alternative developed from polystyrene.

Tekwood provides the look of wood without the weathering process or maintenance.

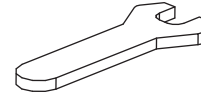
Lite-Core is an engineered panel that combines the durability of natural granite stone and the light weight of aluminum. One of the hardest stones available, granite is a highly scratch and stain resistant solid surface that is backed with an aluminum honeycomb panel. This combination results in a beautiful surface that is durable and light weight.

Care Instruction

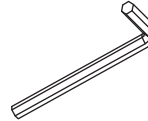
Aluminum and Tekwood require little maintenance, however a regular cleaning is recommended to keep furniture looking new. Wash gently with a mild cleanser, rinse well and let dry. Lite-Core is maintained by using a soft rag and mild soap or pH balanced cleaner, rinse thoroughly, and dry with a clean rag. Avoid bleach and cleaners that are acidic, alkaline, or abrasive. To protect against stains, clean spills immediately and re-seal with a penetrating stone sealer twice a year. Scrape away gum or sticky material with a plastic putty knife.

Tools (included)

Hex Wrench
 QUANTITY: 1

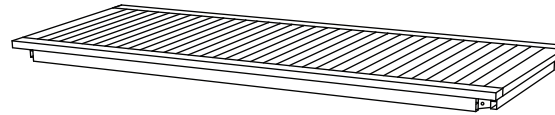


Allen Wrench
 QUANTITY: 1

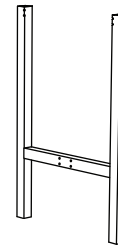


Components

① Table Top Assembly
 QUANTITY: 1



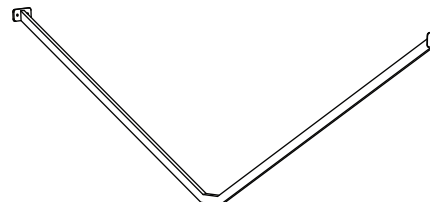
② Leg Assembly
 QUANTITY: 2



③ Stretcher
 QUANTITY: 1



④ V-Brace
 QUANTITY: 1

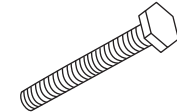


Hardware

A Large Metal Washers
 QUANTITY: 8



B 30 mm Bolts
 QUANTITY: 8



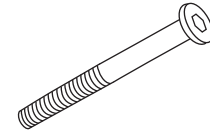
C Small Metal Washers
 QUANTITY: 12



D 21 mm Bolts
 QUANTITY: 12



E 64 mm Bolts
 QUANTITY: 2

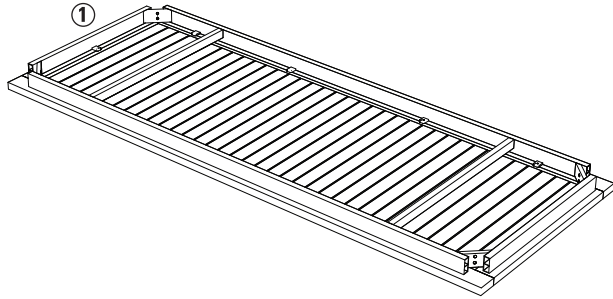


Warranty

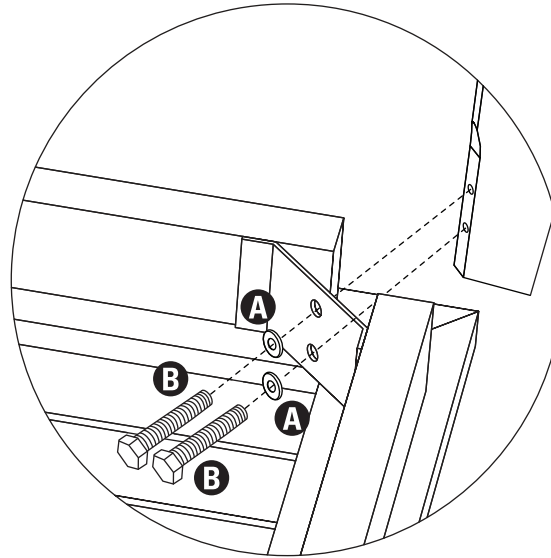
Oxford Garden warrants all outdoor furniture and accessories to be free from manufacturing defects in materials and workmanship. Provided the furniture is assembled correctly and is subjected to normal use, Oxford Garden will cover your outdoor furniture under the following five, three and one year warranties. For more details regarding the Oxford Garden warranty, visit www.oxfordgarden.com/warranty.

Step 1

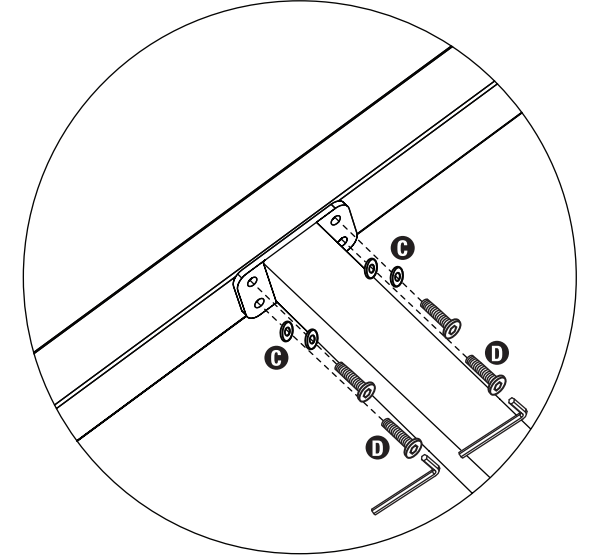
On a clean flat surface, lay table top ① upside down.



Step 2 (detail)

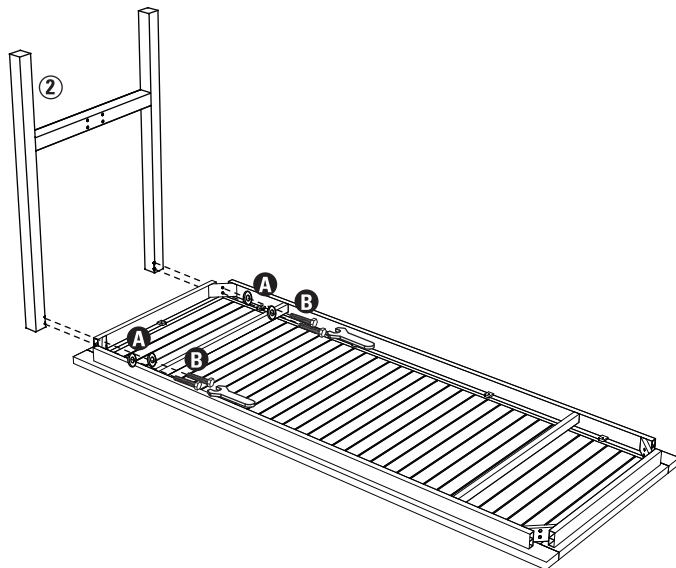


Step 3 (detail)



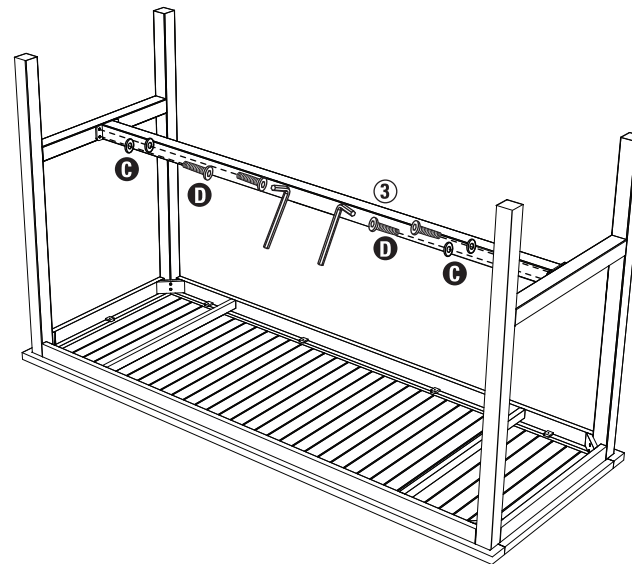
Step 2

Using the provided hex wrench, secure leg assemblies to the table top using the large washers **A** and the 30 mm bolts **B**. Repeat step 2 for remaining leg assembly.



Step 3

Using the provided allen wrench secure stretcher ③ to leg assemblies using the small washers **C** and the 21 mm bolts **D**.



Step 4

Next, using the provided allen wrench, secure the V-Brace ④ using the small washers **C** and the 21 mm bolts **D** as shown. Lastly, use the 64 mm bolts **E** to secure V-Brace to stretcher as shown.

