



ROTISSERIE KIT

Installation Instructions and Use & Care Guide

For questions about features, operation/performance, parts, accessories or service, call: **1-877-373-2301**
or visit our website at www.Kitchenaidgrills.com

JUEGO DE ROSTIZADOR

Instrucciones de instalación y Manual de uso y cuidado

Si tiene preguntas respecto a las características, funcionamiento, rendimiento, partes, accesorios o servicio técnico, llame al:
1-877-373-2301
o visite nuestro sitio de internet en www.Kitchenaidgrills.com

TROUSSE DE TOURNEBROCHE

Instructions pour l'installation, mode d'emploi et guide d'entretien

Pour tout renseignement sur les caractéristiques, la marche/performance, les pièces détachées,
les accessoires ou le service, veuillez appeler le: **1-877-373-2301**
ou visiter notre site web www.Kitchenaidgrills.com

Table of Contents/Índice/Table des matières..... 2

IMPORTANT:

Save for local electrical inspector's use.

Installer: Leave installation instruction with the homeowner.

Homeowner: Keep installation instructions for future reference.

IMPORTANTE:

Guarde para tener a disposición del inspector de electricidad local.

Instalador: Deje las instrucciones de instalación con el propietario.

Propietario: Conserve las instrucciones de instalación para referencia futura.

IMPORTANT:

À conserver pour l'inspecteur local des installations électriques.

Installateur : Laissez les instructions concernant l'installation au propriétaire/occupant.

Propriétaire/occupant : Conservez les instructions concernant l'installation pour future référence.

Models / Modelos / Modèles: 720-0826

TABLE OF CONTENTS

| | |
|----------------------------------|------------|
| Safety Instructions | 3-4 |
| Rotisserie Kit Contents..... | 5 |
| Replacement parts..... | 6 |
| Rotisserie Assembly..... | 7-8 |
| Operation Instructions..... | 9 |
| Care & Maintenance..... | 9 |
| Troubleshooting..... | 10 |
| Warranty..... | 10-11 |

ÍNDICE

| | |
|---|--------------|
| Instrucciones de seguridad | 12-13 |
| Contenido del juego de rostizador..... | 14 |
| Piezas de recambio..... | 15 |
| Ensamblaje del rostizador..... | 16-17 |
| Instrucciones de funcionamiento..... | 18 |
| Cuidado y mantenimiento..... | 19 |
| Solución de problemas..... | 19 |
| Garantía..... | 19-20 |

TABLE DES MATIÈRES

| | |
|--|--------------|
| Consignes de sécurité | 21-22 |
| Contenu de la trousse de tournebroche..... | 23 |
| Des pièces de rechange..... | 24 |
| Montage du tournebroche..... | 25-26 |
| Mode d'emploi..... | 27 |
| Soin et entretien..... | 27 |
| Dépannage..... | 28 |
| Garantie..... | 28-29 |

SAFETY INSTRUCTIONS

Your safety and the safety of others are very important.

We have provided many important safety messages in this manual and on your appliance. Always read and obey all safety messages.



This is the safety alert symbol.

This symbol alerts you to potential hazards that can kill or hurt you and others.

All safety messages will follow the safety alert symbol and either the word "DANGER" or "WARNING."

These words mean:

⚠ DANGER

You can be killed or seriously injured if you don't immediately follow instructions.

⚠ WARNING

You can be killed or seriously injured if you don't follow instructions.

All safety messages will tell you what the potential hazard is, tell you how to reduce the chance of injury, and tell you what can happen if the instructions are not followed.

IMPORTANT SAFETY INSTRUCTIONS

To protect against shock hazard connect only to properly grounded outlet.


Read the following important safety instructions before using the rotisserie motor.

- Read all instructions before assembly, installation, and use.
- Do not touch hot surface with bare hands.
- To protect against electrical shock do not immerse cord, plug, or motor in water or any liquid.
- Adult supervision is necessary when any appliance is used by or near children.
- Unplug the rotisserie motor from outlet when not in use.
- Allow the rotisserie to cool before cleaning or taking off any parts.
- Do not operate any appliance with a damaged cord or plug or after the appliance has been damaged in any manner.
- The use of other accessory attachments is not recommended by the appliance manufacturer as it may cause injuries.
- Do not let electric cord touch hot surfaces or hang over edge of a table or counter.
- Do not place on or near a hot gas or electrical burner, or in a heated oven.
- Caution must be used when assembling the pointed end of spit rod and the meat forks as the ends are sharp.
- Always attach plug to appliance first, then plug cord into the wall outlet. If the plug does not fit into the outlet, contact a qualified electrician. DO NOT remove the ground prong or use with an adaptor with 2 prongs.
- Do not use appliance for other than intended use.
- Fuel, such as charcoal briquettes, is not to be used with this appliance.
- Do not expose to rain.
- To ensure continued protection against risk of electrical shock, connect to properly grounded outlets only
- A short power supply cord is provided to reduce the risk of becoming entangled or tripping over a longer cord.
- Longer detachable power-supply cords or extension cords may be used if care is exercised in their use.
- If a longer detachable power-supply cord or extension cord is used, the marked electrical rating should be at least as great as the electrical rating of the appliance, and the cord should be arranged so that it will not pose a risk of being pulled on or tripped over.
- To reduce the risk of electrical shock, keep extension cord connection dry and off the ground.
- Store the rotisserie kit indoors when not in use-out of the reach of children.

SAVE THESE INSTRUCTIONS

ELECTRICAL REQUIREMENTS

⚠ WARNING



Electrical Shock Hazard

Use only a UL listed, 14 gauge, 3 wire extension cord approved for outdoor use, marked W-A, with a maximum length of 50 ft.

Plug into a grounded 3 prong outlet.

Do not remove ground prong.

Do not use an adapter.

Failure to follow these instructions can result in death, fire, or electrical shock.

If codes permit and a separate ground wire is used, it is recommended that a qualified electrician determine that the ground path is adequate.

Check with a qualified electrician if you are not sure whether the grill is properly grounded.

A 120-volt, 60-Hz, AC-only, 15-amp, fused electrical supply is required.

It is recommended that a separate circuit servicing only this grill be provided.

- To avoid electrical shock, do not immerse cord or plugs in water or other liquid.
- Unplug from the outlet when not in use and before cleaning. Allow to cool before putting on or taking off parts.
- Do not operate any outdoor cooking gas appliance with a damaged cord, damaged plug, or after the appliance malfunctions or has been damaged in any manner. Contact the manufacturer for repair.
- Do not let the cord hang over the edge of a table or touch hot surfaces.
- Do not use an outdoor cooking appliance for purposes other than intended.
- When connecting, first connect plug to the outdoor cooking gas appliance then plug appliance into the outlet.
- Use only a Ground Fault Interrupter (GFI) protected circuit with this outdoor cooking gas appliance.
- Do not remove the ground prong or use with an adapter of 2 prongs.
- Use only extension cords with a 3 prong grounding plug rated for the power of the equipment and approved for outdoor use with a W-A marking.

Recommended Ground Method

The rotisserie, when installed, must be electrically grounded in accordance with local codes or, in the absence of local codes, with the National Electrical Code ANSI/NFPA 70, or Canadian Electrical Code, CSA C22.1.

Copies of the standards listed above may be obtained from:

CSA International

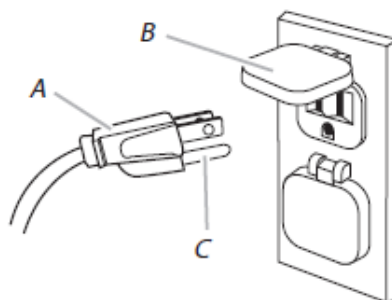
8501 East Pleasant Valley Rd.

Cleveland, Ohio 44131-5575

National Fire Protection Association

One Batterymarch Park

Quincy, Massachusetts 02269



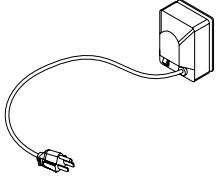
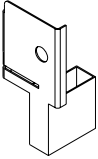
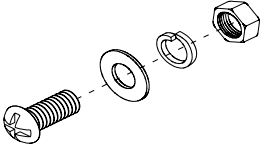
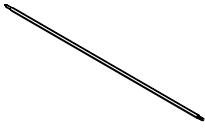
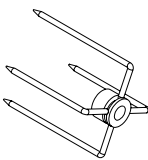
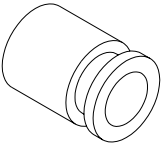
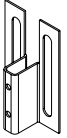
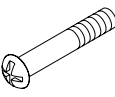
A. 3-prong ground plug

B. 3-prong polarized type outdoor GFI outlet

C. Ground prong

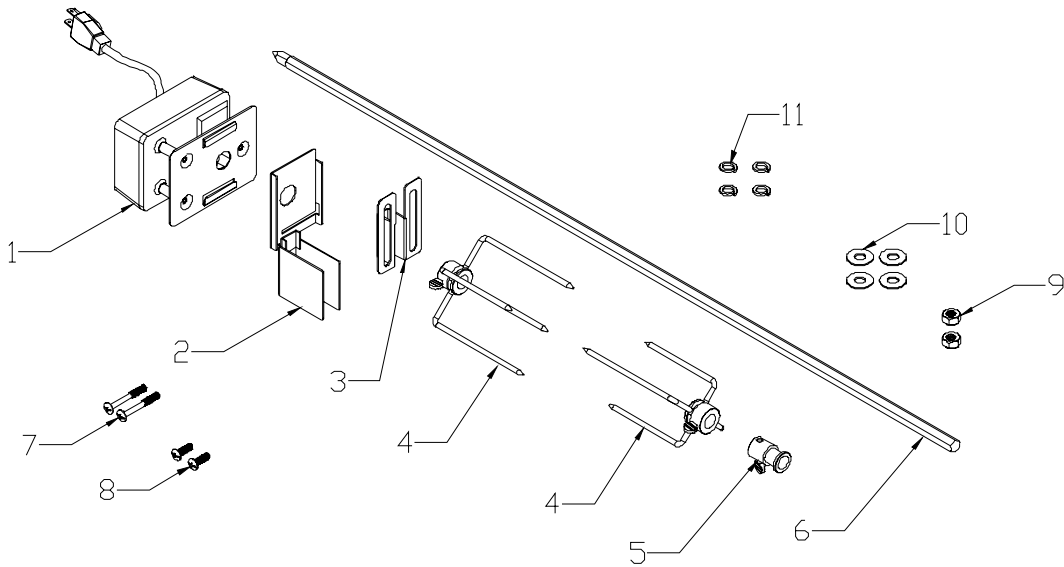
ROTISSERIE KIT CONTENTS

Model# 720-0826 (Fits most 27 inches to 32 inches barbeque grills)

| | | |
|---|--|---|
| <p>A Motor</p>  <p>1pc (720-0826)</p> | <p>B Motor Bracket</p>  <p>1pc (720-0826)</p> | <p>C 1/4-in. Screw w/Flat Washer/Lock Washer/Nut</p>  <p>2pc (720-0826)</p> |
| <p>D Spit Rod</p>  <p>1pc (720-0826)</p> | <p>E Spit Fork</p>  <p>2pc (720-0826)</p> | <p>F Shaft Collar</p>  <p>1pc (720-0826)</p> |
| <p>G Universal Bracket</p>  <p>1pc (720-0826)</p> | <p>H 2-in. Bracket Bolt</p>  <p>2pc (720-0826)</p> | |

REPLACEMENT PARTS

| REF# | DESCRIPTION | WARRANTY COVERAGE | QTY |
|------|---------------------|-------------------|-------|
| 1 | Motor | 1 Year | 1 pc |
| 2 | Motor bracket | 1 Year | 1 pc |
| 3 | Universal bracket | 1 Year | 1 pc |
| 4 | Spit fork | 1 Year | 2 pcs |
| 5 | Shaft Collar | 1 Year | 1 pc |
| 6 | Spit rod | 1 Year | 1 pc |
| 7 | 2-in. Bracket bolt | 1 Year | 2 pcs |
| 8 | 1/4-in. Screw | 1 Year | 2 pcs |
| 9 | 1/4-in. Nut | 1 Year | 2 pcs |
| 10 | 1/4-in. Flat washer | 1 Year | 4 pcs |
| 11 | 1/4-in. Lock washer | 1 Year | 4 pcs |



ROTISSERIE ASSEMBLY

Kitchen-Aid grills:

Estimated Assembly Time: Approximately 10 minutes

Required Tools: Phillips Screwdriver (not included)

1. To attach the universal bracket (G) to the motor bracket (B), align the pre-drilled holes in both brackets and secure together using two 2-in. bolts (H) as shown in Fig. 1.



Fig.1

2. Align the holes in the universal bracket (G) to the pre-drilled holes on the left side of the grill. Attach the universal bracket using two 1/4-inch screws with flat washer/lock washers/nut (C) as shown in Fig.2.

Note: The universal bracket may have to be adjusted once the motor is attached and the spit rod is inserted.



Fig.2

3. Slide rotisserie motor (A) over motor bracket (B) as shown in Fig. 3.



Fig.3

4. Place the meat forks (E) onto the spit rod (D) as shown in Fig. 4.

Note: The rotisserie forks are sharp.



Fig.4

5. Place the spit rod (D) into the motor (A), making sure the rod aligns with the motor correctly as shown in Fig. 5.



Fig.5

6. Slide the shaft collar (F) onto the opposite end of the spit rod and place into the slot on the right side of the grill. The thumbscrew for the shaft should be inside the grill firebox as shown in Fig 6



Fig.6

⚠ WARNING



Electrical Shock Hazard

Use only a UL listed, 14 gauge, 3 wire extension cord approved for outdoor use, marked W-A, with a maximum length of 50 ft.

Plug into a grounded 3 prong outlet.

Do not remove ground prong.

Do not use an adapter.

Failure to follow these instructions can result in death, fire, or electrical shock.

7. Plug into a grounded 3 prong outlet.

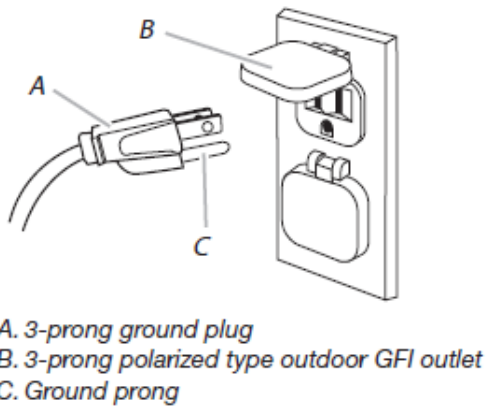


Fig.7

8. Completed Assembly as shown in Fig.

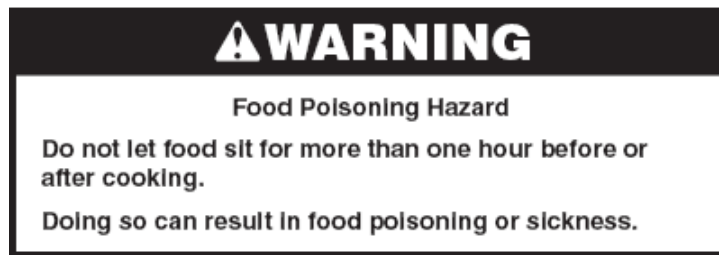


Fig.8

OPERATING INSTRUCTIONS

ROTISSERIE OPERATING INSTRUCTIONS

IMPORTANT: Your grill may be equipped with rotisserie burners. The instructions below include operation for grill equipped with rotisserie burners and instructions for grill not equipped with rotisserie burners. Be sure to follow the instructions appropriate for your grill.



Use of the rotisserie (also see grill instruction manual)

After installing the spit rod, slide one of the meat forks onto the rod (prongs toward the meat.) Center the product to be cooked on the rod, then push the meat forks firmly together. Tighten the wing nuts. It may also be necessary to wrap the food with butcher's string to secure loose portions. Never use nylon or plastic string.

Once the food is secure, insert the pointed end of the rotisserie rod into the motor assembly and rest the shaft collar at the other end in the slot on the right-hand side of the grill. Turn the power switch to the "ON" position to start the rotisserie motor. **Remove rotisserie when not in use.**

ROTISSERIE USE WITH ROTISSERIE BURNER

When the rotisserie is mounted and in operation, only the rotisserie burner should be used for cooking. The main burners on the grill should be in the "OFF" position when the rotisserie burner is in use.

IMPORTANT:

1. Check for clearances with the cooking grids before lighting the grill as the cooking grids will become hot. If the meat touches the cooking grids during any part of rotation, the cooking grids must be removed. **NOTE:** If cooking grids are removed, make sure food is not touching the burner(s).
2. Place a shallow drip pan underneath the food to catch drippings and make cleanup easier.
3. Turn the power switch to the "ON" position to start the rotisserie motor. To begin, have rotisserie burner on the lowest setting.
4. Check the speed of the rotisserie rod. If the rod does not turn at a constant speed, reposition the food on the forks to avoid lopsided rotation of the rotisserie motor. An unbalanced rotisserie rod may damage the motor.
5. Check food frequently and adjust burner temperature based on observations. This may require some experimentation as each grill differs with heating and cooking characteristics.

ROTISSERIE USE WITHOUT ROTISSERIE BURNER

1. Do not use burners located directly below the food on the spit rod as the use of these burners could cause flare ups and burn the food.
2. Check the food frequently and adjust the temperature based on observations. This may require some experimentation as each grill differs with heating and cooking characteristics.

CARE & MAINTENANCE

1. The meat forks and spit rod should be washed in warm soapy water after each use. Do not immerse the motor, cord or plug in water.
2. Store the rotisserie kit indoors when not in use; out of the reach of children.

TROUBLESHOOTING

PROBLEMS

Parts are missing or the motor won't work.

The spit rod flexes when it's turning.

The rod is not rotating at a constant speed.

WHAT TO DO

Call customer service at 1-877-373-2301.

It is normal for the spit rod to flex when larger cuts of meat are being cooked.

Reposition the meat on the rod to adjust the weight distribution.

LIMITED WARRANTY

Nexgrill warrants to the original consumer-purchaser only that this product (*Model #790-0826*) shall be free from defects in workmanship and materials after correct assembly and under normal and reasonable home use for the periods indicated below beginning on the date of purchase. The manufacturer reserves the right to require photographic evidence of damage, or that defective parts be returned, postage and or freight pre-paid by the consumer, for review and examination.

ALL PARTS: 1 Year *LIMITED* warranty

**Does not cover chipping, scratching, cracking surface corrosion, or rust.*

Upon consumer supplying proof of purchase as provided herein, Manufacturer will repair or replace the parts which are proven defective during the applicable warranty period. Parts required to complete such repair or replacement shall be free of charge to you except for shipping costs, as long as the purchaser is within the warranty period from the original date of purchase. The original consumer-purchaser will be responsible for all shipping charges of parts replaced under the terms of this limited warranty. This limited warranty is applicable in the United States only, is only available to the original owner of the product and is *not transferable*. Manufacturer requires reasonable proof of your date of purchase. Therefore, you should retain your sales receipt and/or invoice. If the unit was received as a gift, please ask the gift-giver to send in the receipt on your behalf, to the below address. Defective or missing parts subject to this limited warranty will not be replaced without registration or proof of purchase. This limited warranty applies to the functionality of the product **ONLY** and does not cover cosmetic issues such as scratches, dents, corrosions or discoloring by heat, abrasive and chemical cleaners or any tools used in the assembly or installation of the appliance, surface rust, or the discoloration of stainless steel surfaces. Surface rust, corrosion, or powder paint chipping on metal parts that does not affect the structural integrity of the product is not considered a defect in workmanship or material and is not covered by this warranty. This limited warranty will not reimburse you for the cost of any inconvenience, food, personal injury or property damage. If an original replacement part is not available, a comparable replacement part will be sent. You will be responsible for all shipping charges of parts replaced under the terms of this limited warranty.

ITEMS MANUFACTURER WILL NOT PAY FOR:

- Service calls to your home.
- Repairs when your product is used for other than normal, single-family household or residential use.
- Damage resulting from accident, alteration, misuse, lack of maintenance/cleaning, abuse, fire, flood, acts of God, improper installation, and installation not in accordance with electrical or plumbing codes or use of products not approved by the manufacturer.
- Any food loss due to product failures.
- Replacement parts or repair labor costs for units operated outside the United States or Canada.
- Pickup and delivery of your product.
- Postage fees or photo processing fees for photos sent in as documentation.
- Repairs to parts or systems resulting from unauthorized modifications made to the product.
- The removal and/or reinstallation of your product.
- Shipping cost, standard or expedited, for warranty/non warranty and replacement parts.

DISCLAIMER OF IMPLIED WARRANTIES; LIMITATION OF REMEDIES

Repair or replacement of defective parts is your exclusive remedy under the terms of this limited warranty. Manufacturer will not be responsible for any consequential or incidental damages arising from the breach of either this limited warranty or any applicable implied warranty, or for failure or damage resulting from acts of God, improper care and maintenance, grease fire, accident, alteration, replacement of parts by anyone other than Manufacturer, misuse, transportation, commercial use, abuse, hostile environments (inclement weather, acts of nature, animal tampering), improper installation or installation not in accordance with local codes or printed manufacturer instructions.

THIS LIMITED WARRANTY IS THE SOLE EXPRESS WARRANTY GIVEN BY THE MANUFACTURER. NO PRODUCT PERFORMANCE SPECIFICATION OR DESCRIPTION WHEREVER APPEARING IS WARRANTED BY MANUFACTURER EXCEPT TO THE EXTENT SET FORTH IN THIS LIMITED WARRANTY. ANY IMPLIED WARRANTY PROTECTION ARISING UNDER THE LAWS OF ANY STATE, INCLUDING IMPLIED WARRANTY OF MERCHANTABILITY OR FITNESS FOR A PARTICULAR PURPOSE OR USE, IS HEREBY LIMITED IN DURATION TO THE DURATION OF THIS LIMITED WARRANTY.

Neither dealers nor the retail establishment selling this product has any authority to make any additional warranties or to promise remedies in addition to or inconsistent with those stated above. Manufacturer's maximum liability, in any event, shall not exceed the documented purchase price of the product paid by the original consumer. This warranty only applies to units purchased from an authorized retailer and or re-seller. NOTE: Some states do not allow an exclusion or limitation of incidental or consequential damages, so some of the above limitations or exclusions may not apply to you; this limited warranty gives you specific legal rights as set for herein. You may also have other rights which vary from state to state.

If you wish to obtain performance of any obligation under this limited warranty, you should write to:

Nexgrill Customer Relations

5270 Edison Avenue.,
Chino, CA 91710

All consumer returns, parts orders, general questions, and troubleshooting assistance can be acquired by calling 1-877-373-2301

INSTRUCCIONES DE SEGURIDAD

Su seguridad y la seguridad de los demás es muy importante.

Hemos incluido muchos mensajes importantes de seguridad en este manual y en su electrodoméstico. Lea y obedezca siempre todos los mensajes de seguridad.



Este es el símbolo de advertencia de seguridad.

Este símbolo le llama la atención sobre peligros potenciales que pueden ocasionar la muerte o una lesión a usted y a los demás.

Todos los mensajes de seguridad irán a continuación del símbolo de advertencia de seguridad y de la palabra "PELIGRO" o "ADVERTENCIA". Estas palabras significan:

 **PELIGRO**

Si no sigue las instrucciones de inmediato, usted puede morir o sufrir una lesión grave.

 **ADVERTENCIA**

Si no sigue las instrucciones, usted puede morir o sufrir una lesión grave.

Todos los mensajes de seguridad le dirán el peligro potencial, le dirán cómo reducir las posibilidades de sufrir una lesión y lo que puede suceder si no se siguen las instrucciones.

INSTRUCCIONES IMPORTANTES DE SEGURIDAD

Para protegerse contra el peligro de choque eléctrico, conéctelo solamente en un contacto con conexión a tierra apropiado.

Lea las siguientes instrucciones importantes de seguridad antes de usar el motor del rostizador.

- Lea todas las instrucciones antes del ensamblaje, la instalación y el uso.
- No toque la superficie caliente con las manos desprotegidas.
- Para protegerse contra choque eléctrico, no sumerja el cable, el enchufe ni el motor en agua ni en ningún otro líquido.
- Es necesaria la supervisión por parte de adultos cuando los niños usen cualquier aparato o cuando éste se utilice cerca de ellos.
- Desenchufe el motor del rostizador del contacto cuando no esté en uso.
- Deje que el rostizador se enfríe antes de limpiar o quitar alguna pieza.
- No opere ningún aparato con un cable o enchufe dañado o después de que el aparato se haya dañado de alguna manera.
- El uso de otros accesorios no es recomendado por parte del fabricante del aparato, ya que puede ocasionar heridas.
- No deje que el cable eléctrico toque superficies calientes ni cuelgue del borde de una mesa o mostrador.
- No lo coloque cerca de un quemador a gas o eléctrico caliente ni sobre el mismo, ni tampoco en un horno caliente.
- Debe tenerse cuidado cuando ensamble el extremo puntiagudo del espetón y los trinchas para carne, ya que los extremos son filosos.
- Enchúfelo siempre al aparato primero y luego enchufe el cable en el contacto de pared. Si el enchufe no encaja en el contacto, póngase en contacto con un electricista competente. NO quite la conexión a tierra o el uso con un adaptador con dos puntas.
- No use este aparato para un uso diferente del que fue diseñado.
- No deben usarse combustible ni briquetas de carbón con este aparato.
- No lo exponga a la lluvia.
- Para asegurar la protección continua contra el riesgo de choque eléctrico, conéctelo solamente a contactos con conexión a tierra.
- Se provee un cable corto de suministro de energía para reducir el riesgo de enredarse o de tropezarse si fuera un cable más largo.
- Pueden usarse cables de suministro de energía desmontables más largos o cables de extensión siempre y cuando se usen con cuidado.
 - Si se utiliza un cable desmontable de suministro de energía más largo, la clasificación eléctrica indicada deberá ser por lo menos la misma que la clasificación eléctrica del aparato, y deberá colocarse de modo que no constituya un riesgo de ser jalado o de tropezarse con él.
 - Para reducir el riesgo de choque eléctrico, mantenga la conexión del cable de extensión seca y lejos del piso.
 - Guarde el juego del rostizador adentro y lejos del alcance de los niños cuando no lo use.

GUARDE ESTAS INSTRUCCIONES

Requisitos Eléctricos

⚠ ADVERTENCIA



Peligro de choque eléctrico

Use únicamente un cable de extensión que esté en la lista de UL, tenga calibre 14, sea de 3 hilos, esté aprobado para uso en el exterior, tenga la indicación W-A y que no sea más largo de 50 pies.

Conecte a un contacto de pared de conexión a tierra de 3 terminales.

No quite la terminal de conexión a tierra.

No use un adaptador.

No seguir estas instrucciones puede ocasionar la muerte, incendio o choque eléctrico.

Si los códigos lo permiten y se emplea un alambre de conexión a tierra separado, se recomienda que un electricista competente determine si la trayectoria de conexión a tierra es adecuada. Si no está seguro de que el asador esté debidamente conectado a tierra, verifíquelo con un electricista competente. Se necesita un suministro eléctrico de 120 voltios, 60 hertzios, CA solamente, de 15 amperios y protegido con fusibles. Se recomienda el uso de un circuito independiente que preste servicio únicamente a este asador.

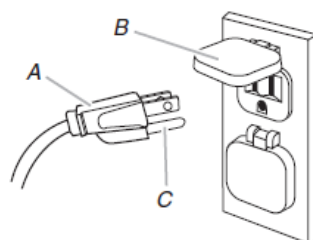
- Para evitar un choque eléctrico, no sumerja el cable ni los enchufes en agua ni en ningún otro líquido.
- Desenchúfelo del contacto cuando no esté en uso y antes de la limpieza. Deje que se enfríe antes de colocar o quitar piezas.
- No ponga a funcionar ningún aparato de cocción a gas para exteriores con un cable o enchufe dañado, después del mal funcionamiento del aparato o si se ha dañado de alguna manera. Comuníquese con el fabricante para la reparación.
- No deje que el cable cuelgue del borde de una mesa ni que toque superficies calientes.
- No use un aparato de cocción en exteriores para un propósito diferente de aquél para el que fue diseñado.
- Cuando haga la conexión, conecte primero el enchufe al aparato de cocción a gas para exteriores y luego enchufe el aparato en el contacto.
- Use solamente un circuito protegido por un interruptor de falla eléctrica de puesta a tierra (GFI, por sus siglas en inglés) con este aparato de cocción a gas para exteriores.
- No quite la terminal de conexión a tierra ni use el enchufe con un adaptador de 2 terminales.
- Use solamente cables eléctricos de extensión con enchufes de conexión a tierra de 3 terminales que tengan la clasificación de energía adecuada para el equipo y que estén aprobados para usarse en exteriores con la indicación W-A.

Método de conexión a tierra recomendado

Cuando sea instalado el rostizador, deberá ser conectado a tierra de acuerdo con los códigos locales, o en la ausencia de códigos locales, con el Código nacional electric (National Electrical Code), ANSI/NFPA 70 o el Código canadiense de electricidad (Canadian Electrical Code), CSA C22.1.

Pueden obtenerse copias de las normas señaladas anteriormente en:

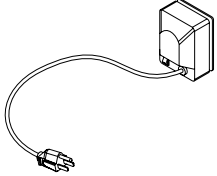
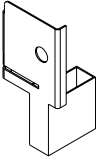
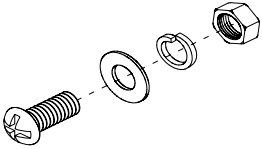
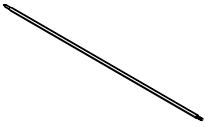
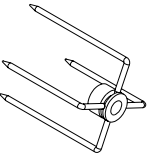
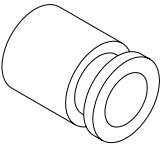
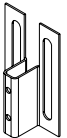
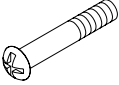
CSA International
8501 East Pleasant Valley Rd.
Cleveland, Ohio 44131-5575
National Fire Protection Association
One Batterymarch Park
Quincy, Massachusetts 02269



A. Enchufe de 3 terminales con conexión a tierra
B. Contacto polarizado GFI para exteriores de 3 terminales
C. Terminal a tierra

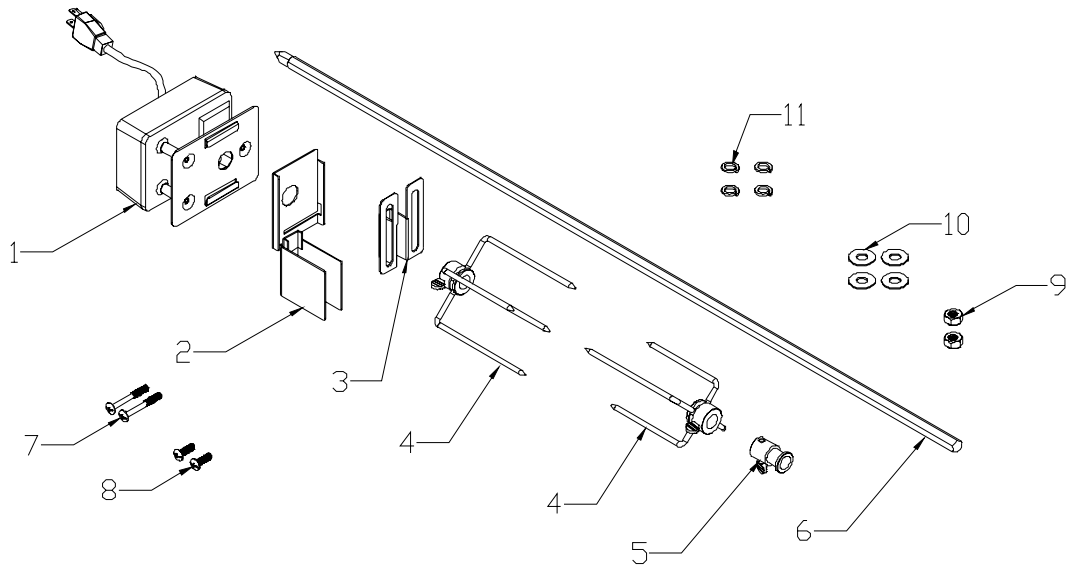
CONTENIDO DEL JUEGO DE ROSTIZADOR

Modelo N° 720-0826 (Encaja en la mayoría de los asadores de 27 a 32 pulgadas)

| | | |
|---|--|---|
| <p>A Motor</p>  <p>1pc (720-0826)</p> | <p>B Soporte del motor</p>  <p>1pc (720-0826)</p> | <p>C Tornillo de 1/4 pulg con arandela plana/de presión/tuerca</p>  <p>2pc (720-0826)</p> |
| <p>D Espetón</p>  <p>1pc (720-0826)</p> | <p>E Spit tenedor</p>  <p>2pc (720-0826)</p> | <p>F Collar del eje</p>  <p>1pc (720-0826)</p> |
| <p>G Soporte universal</p>  <p>1pc (720-0826)</p> | <p>H Perno de soporte de 2 pulg</p>  <p>2pc (720-0826)</p> | |

PIEZAS DE RECMBIO

| Nº DE REF. | DESCRIPCIÓN | COBERTURA DE LA GARANTÍA | CANT. |
|------------|----------------------------|--------------------------|--------|
| 1 | Motor | 1 año | 1 pza |
| 2 | Soporte del motor | 1 año | 1 pza |
| 3 | Soporte universal | 1 año | 1 pza |
| 4 | Spit tenedor | 1 año | 2 pzas |
| 5 | Collar del eje | 1 año | 1 pza |
| 6 | Espetón | 1 año | 1 pza |
| 7 | Perno de soporte de 2 pulg | 1 año | 2 pzas |
| 8 | Tornillo de 1/4 pulg | 1 año | 2 pzas |
| 9 | Tuerca de 1/4 pulg | 1 año | 4 pzas |
| 10 | Arandela plana 1/4 pulg | 1 año | 4 pzas |
| 11 | De presión 1/4 pulg | 1 año | 4 pzas |



ENSAMBLAJE DEL ROSTIZADOR

Asadores Kitchen-Aid:

Tiempo estimado para el ensamblaje: Aproximadamente 10 minutos

Herramientas requeridas: Destornillador Phillips (no incluido)

1. Para sujetar el soporte universal (G) al soporte del motor (B), alinee los orificios taladrados previamente en ambos soportes y asegúrelos juntos, con pernos de 2 pulg (H), como se muestra en la figura 1.



Fig.1

2. Alinee los orificios que están en el soporte universal (G) con los orificios taladrados previamente en el lado izquierdo del asador. Sujete el soporte universal usando dos tornillos de 1/4 pulg con la arandela plana/arandela de presión/tuerca (C), como se muestra en la figura 2.

Nota: Tal vez deba ajustarse el soporte universal una vez que el motor esté sujeto y se haya insertado el espetón.



Fig.2

3. Deslice el motor del rostizador (A) sobre el soporte del motor (B), como se muestra en la figura .



Fig.3

4. Coloque los trinchés para carne (E) en el espetón (D) como se muestra en la figura 4.

Nota: Los trinchés del rostizador son filosos.



Fig.4

5. Coloque el espetón (D) dentro del motor (A), cerciorándose de que el espetón esté alineado correctamente con el motor, como se muestra en la figura 5.



Fig.5

6. Deslice el collar del eje (F) sobre el extremo opuesto del espetón y colóquelo dentro de la ranura que está en el lado derecho del asador. El tornillo de mariposa para el eje deberá estar dentro de la caja de fuego del asador, como se muestra en la figura 6.



Fig.6

⚠ ADVERTENCIA



Peligro de choque eléctrico

Use únicamente un cable de extensión que esté en la lista de UL, tenga calibre 14, sea de 3 hilos, esté aprobado para uso en el exterior, tenga la indicación W-A y que no sea más largo de 50 pies.

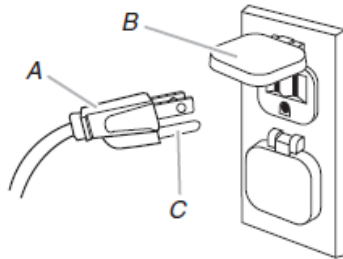
Conecte a un contacto de pared de conexión a tierra de 3 terminales.

No quite la terminal de conexión a tierra.

No use un adaptador.

No seguir estas instrucciones puede ocasionar la muerte, incendio o choque eléctrico.

7. Conecte a un contacto de pared de conexión a tierra de 3 terminales.



- A. Enchufe de 3 terminales con conexión a tierra
 B. Contacto polarizado GFI para exteriores de 3 terminales
 C. Terminal a tierra

Fig 7

8. Ensamblaje terminado como se muestra en la figura



Fig.8

INSTRUCCIONES DE FUNCIONAMIENTO

INSTRUCCIONES PARA EL FUNCIONAMIENTO DEL ROSTIZADOR

IMPORTANTE: Es posible que el asador esté equipado con quemadores de rostizador. Las instrucciones a continuación incluyen el funcionamiento para el asador equipado con quemadores de rostizador e instrucciones para el asador sin quemadores de rostizador. Cerciórese de seguir las instrucciones adecuadas para su asador.



Después de instalar el espetón, deslice uno de los trinchas para carnes sobre la varilla (con las puntas mirando hacia la carne). Centre el producto a ser cocido sobre la varilla y empuje con firmeza los trinchas para carne juntos. Ajuste las tuercas mariposa. Tal vez también sea necesario envolver el alimento con hilo de carnicero para asegurar las partes sueltas. Nunca use hilo de nailon ni de plástico.

Una vez que el alimento esté asegurado, inserte el extremo puntiagudo de la varilla del rostizador dentro del ensamblaje del motor y coloque el collar del eje en el otro extremo en la ranura que está en el lado derecho del asador. Gire el interruptor de encendido hacia la posición de "ON" (Encendido) para encender el motor del rostizador. **Saque el rostizador cuando no esté en uso.**

USO DEL ROSTIZADOR CON SU QUEMADOR

Cuando el rostizador se haya instalado y esté funcionando, sólo deberá usarse el quemador del mismo para la cocción. Los quemadores principales en el asador deberán estar en la posición de "OFF" (Apagado) cuando el quemador del rostizador esté en uso.

IMPORTANTE

1. Verifique los espacios libres con las rejillas de cocción antes de encender el asador, ya que éstas se pondrán calientes. Si la carne toca las rejillas de cocción durante cualquier momento de la rotación, deberán sacarse las rejillas de cocción. **NOTA:** Si se sacan las rejillas de cocción, cerciórese de que el alimento no esté tocando el (los) quemador(es).
2. Coloque una bandeja llana de goteo debajo del alimento para atrapar los goteos y hacer más fácil la limpieza.
3. Gire el interruptor de encendido hacia la posición de "ON" (Encendido) para hacer comenzar el motor del rostizador. Para comenzar, tenga el quemador del rostizador en el ajuste más bajo.
4. Verifique la velocidad con que gira la varilla del rostizador. Si la varilla no gira a una velocidad constante, vuelva a colocar el alimento sobre los trinchas para evitar la rotación desequilibrada del motor. Una varilla de rostizador que esté desequilibrada puede dañar el motor.
5. Revise frecuentemente el alimento y regule la temperatura del quemador según lo que observe. Puede necesitará experimentar un poco ya que cada asador es diferente en las características de calentamiento y cocción.

USO DEL ROSTIZADOR SIN SU QUEMADOR

1. No use los quemadores que están ubicados directamente debajo del alimento sobre el espetón, ya que el usarlos podría ocasionar llamaradas y quemar el alimento.
2. Revise frecuentemente el alimento y regule la temperatura según lo que observe. Puede necesitará experimentar un poco ya que cada asador es diferente en las características de calentamiento y cocción.

CUIDADO Y MANTENIMIENTO

1. Los trinchas para carne y el espetón deberán lavarse en agua tibia jabonosa después de cada uso. No sumerja el motor, el cable ni el enchufe en agua.
2. Guarde el juego del rostizador adentro y lejos del alcance de los niños cuando no lo use.

SOLUCIÓN DE PROBLEMAS

PROBLEMAS

Faltan piezas o el motor no funciona.

El espetón se flexiona cuando está girando

Es normal que el espetón se flexione cuando se estén cocinando cortes grandes de carne.

QUÉ HACER

Llame al servicio al cliente al 1-877-373-2301

La varilla no está girando a una velocidad constante.

Vuelva a colocar la carne sobre la varilla para ajustar la distribución del peso.

GARANTÍA LIMITADA

Nexgrill garantiza solamente al consumidor-comprador original que este producto (Modelos N° 720-0826) estará libre de defectos en los materiales y la mano de obra después del ensamblaje correcto y bajo uso normal y razonable en el hogar, durante los períodos indicados a continuación, a partir de la fecha de compra. El fabricante se reserva el derecho de exigir evidencia fotográfica del daño o la devolución de las piezas defectuosas con los gastos por envío y/o flete prepagados por el consumidor, para su revisión e inspección.

TODAS LAS PIEZAS: Garantía LIMITADA de 1 año

**No cubre desportilladuras, rayones, corrosión en la superficie agrietada ni óxido.*

Una vez que el consumidor provea la prueba de compra como se indica en la presente, el Fabricante reparará o reemplazará las piezas que hayan probado ser defectuosas durante el período cubierto por la garantía. Las piezas necesarias para completar la reparación o el reemplazo se le proveerán gratuitamente, excepto por los costos de envío, siempre y cuando el comprador esté dentro del período de la garantía a partir de la fecha de compra original. El comprador-consumidor original será responsable por todos los cargos por envío de las piezas reemplazadas bajo los términos de esta garantía limitada. Esta garantía limitada es aplicable solamente en los Estados Unidos, está disponible solamente para el dueño original del producto y no es transferible. El fabricante requiere una prueba razonable de la fecha de compra. Por lo tanto, usted deberá conservar su recibo de compra y/o la factura. Si la unidad fue recibida como regalo, solicite a la persona que le hizo el regalo que envíe el recibo en su nombre a la dirección que aparece debajo. Las piezas defectuosas o faltantes que estén cubiertas por esta garantía limitada no serán reemplazadas sin el registro o la prueba de compra. Esta garantía limitada se aplica SOLAMENTE a la funcionalidad del producto y no cubre problemas estéticos tales como rayones, abolladuras, corrosión o decoloración ocasionada por el calor, los limpiadores abrasivos y químicos o cualquier herramienta usada en el ensamblaje o la instalación del aparato, óxido de la superficie o decoloración de las superficies de acero inoxidable. El óxido, la corrosión o las desportilladuras de la pintura en polvo de la superficie en las piezas de metal que no afecten la integridad estructural del producto no se considera un defecto en la mano de obra ni en los materiales, y por lo tanto no están cubiertos bajo esta garantía. Bajo esta garantía limitada, usted no recibirá un reembolso por el costo de cualquier inconveniencia, alimento, herida personal o daño a la propiedad. Si no hay disponible una pieza original de repuesto, se le enviará una pieza de repuesto equivalente. Usted será responsable por todos los cargos por envío de las piezas reemplazadas bajo los términos de esta garantía limitada.

EL FABRICANTE NO PAGARÁ POR LOS SIGUIENTES ARTÍCULOS:

- Visitas de servicio a su hogar.
- Reparaciones cuando su producto se use de un modo diferente al doméstico o residencial normal de una familia.
- Daños causados por accidente, alteración, uso indebido, falta de mantenimiento/limpieza, abuso, incendio, inundación, actos fortuitos, instalación incorrecta, instalación que no esté de acuerdo con los códigos eléctricos o de plomería, o el empleo de productos no aprobados por el fabricante.
- Cualquier pérdida de comida debida a la falla del producto.
- Costos de piezas de repuesto o gastos de reparación para unidades que se empleen fuera de los Estados Unidos o Canadá.
- Recogida y entrega de su producto.
- Cargos por envío o cargos por procesamiento de fotos enviadas como documentación.

- Reparaciones de piezas o sistemas como resultado de modificaciones no autorizadas que se hayan efectuado en el producto.
- La remoción y/o reinstalación del producto.
- Costos por envío, común o acelerado, para las piezas de repuesto bajo garantía o sin garantía.

EXCLUSIÓN DE GARANTÍAS IMPLÍCITAS; LIMITACIÓN DE RECURSOS

La reparación o el reemplazo de las piezas defectuosas será su único recurso bajo los términos de esta garantía limitada. El Fabricante no se hará responsable de cualquier daño consecuente o incidental que surja del incumplimiento de esta garantía limitada o de cualquier garantía limitada implícita que sea aplicable, ni por fallas o daños ocasionados por actos fortuitos, el cuidado y mantenimiento inadecuados, incendios ocasionados por grasa, accidentes, alteraciones, reemplazo de piezas por parte de alguien que no sea el Fabricante, uso indebido, transporte, uso comercial, abuso, medioambientes hostiles (inclemencias del tiempo, catástrofes naturales, manipulación por parte de animales), instalación incorrecta o instalación que no esté de acuerdo con los códigos locales o las instrucciones impresas por el fabricante.

ESTA GARANTÍA LIMITADA SERÁ LA ÚNICA GARANTÍA EXPRESA OTORGADA POR EL FABRICANTE. NO EXISTIRÁ NINGUNA OTRA GARANTÍA POR PARTE DEL FABRICANTE CON RESPECTO AL DESEMPEÑO SEGÚN LA ESPECIFICACIÓN O LA DESCRIPCIÓN DEL PRODUCTO, EN DONDE SEA QUE APAREZCA, EXCEPTO EN LA MEDIDA EN QUE SE HA INDICADO EN ESTA GARANTÍA LIMITADA. TODA PROTECCIÓN POR GARANTÍAS IMPLÍCITAS QUE SURJA BAJO LAS LEYES DE CUALQUIER ESTADO, INCLUIDAS LAS GARANTÍAS IMPLÍCITAS DE COMERCIABILIDAD O DE CAPACIDAD PARA UN PROPÓSITO O USO EN PARTICULAR, ESTARÁ LIMITADA EN SU DURACIÓN A LA DURACIÓN DE ESTA GARANTÍA LIMITADA.

Ni los distribuidores, ni el establecimiento minorista que venda este producto, tendrán ninguna autoridad para hacer garantías adicionales o para prometer recursos adicionales a los establecidos anteriormente o en contra de los mismos. En todo caso, la máxima responsabilidad del Fabricante no excederá del precio documentado por la compra del producto pagado por el consumidor original. Esta garantía se aplica solamente para las unidades compradas a un minorista o revendedor autorizado. NOTA: Algunos estados no permiten la exclusión o limitación de daños incidentales o consecuentes, de modo que algunas de las limitaciones o exclusiones indicadas anteriormente pueden no aplicarse en su caso; esta garantía limitada le otorga derechos legales específicos según se indica en la presente. Es posible que usted tenga también otros derechos que varían de un estado a otro.

Si usted desea que se lleve a cabo una acción por cualquier obligación bajo esta garantía limitada, deberá escribir a:

Nexgrill Customer Relations
5270 Edison Avenue.,
Chino, CA 91710

Toda la información relativa a devoluciones, pedidos de piezas, preguntas generales y asistencia con problemas de funcionamiento requerida por parte del consumidor, podrá obtenerse llamando al 1-877-373-2301.

IMPORTANTES CONSIGNES DE SÉCURITÉ

Votre sécurité et celle des autres est très importante.

Nous donnons de nombreux messages de sécurité importants dans ce manuel et sur votre appareil ménager. Assurez-vous de toujours lire tous les messages de sécurité et de vous y conformer.



Voici le symbole d'alerte de sécurité.

Ce symbole d'alerte de sécurité vous signale les dangers potentiels de décès et de blessures graves à vous et à d'autres.

Tous les messages de sécurité suivront le symbole d'alerte de sécurité et le mot "DANGER" ou "AVERTISSEMENT". Ces mots signifient :

⚠ DANGER

Risque possible de décès ou de blessure grave si vous ne suivez pas immédiatement les instructions.

⚠ AVERTISSEMENT

Risque possible de décès ou de blessure grave si vous ne suivez pas les instructions.

Tous les messages de sécurité vous diront quel est le danger potentiel et vous disent comment réduire le risque de blessure et ce qui peut se produire en cas de non-respect des instructions.

IMPORTANTES CONSIGNES DE SÉCURITÉ

Afin d'éviter tout risque d'électrocution, ne raccorder qu'à une prise de courant à contact de mise à la terre.

Lisez les importantes consignes de sécurité ci-dessous avant d'utiliser le moteur du tournebroche.

- Lisez toutes les instructions avant de monter, d'installer et d'utiliser le tournebroche.
- Ne touchez pas de surface chaude avec les mains nues.
- Pour éviter les risques d'électrocution, ne mettez pas le câble électrique, la prise ou le moteur dans l'eau ou dans tout autre liquide.
- Lorsqu'un tel appareil est utilisé par un enfant ou à proximité d'un enfant, ce doit être sous la supervision d'un adulte.
- Débranchez la prise du tournebroche lorsque vous ne vous en servez pas.
- Laissez le tournebroche refroidir avant de le nettoyer ou de le démonter.
- Ne vous servez pas d'un appareil dont le câble électrique ou la prise est abîmée ni d'un appareil endommagé, de quelque manière que ce soit.
- Le fabricant de l'appareil recommande de ne pas utiliser d'autres accessoires car cela pourrait causer des blessures.
- Ne mettez pas le câble électrique en contact avec une surface chaude et ne le laissez pas pendre au bord d'une table ou d'un comptoir.
- Ne le mettez pas sur un brûleur ou près d'un brûleur à gaz ou électrique chaud ni dans un four chaud.
- Il faut faire très attention lors de l'assemblage au bout pointu de la tige de la broche et aux fourchettes à viande car les extrémités sont pointues.
- Branchez toujours d'abord la prise sur l'appareil puis la prise du câble d'alimentation dans la prise murale. Si la prise ne se branche pas correctement dans la prise murale, appelez un électricien qualifié. NE PAS retirer la broche de terre ou de l'utiliser avec un adaptateur avec 2 pointes.
- N'utilisez pas l'appareil pour un usage autre que celui pour lequel il a été conçu.
- Il ne faut pas utiliser de briquettes de charbon de bois ou de combustible avec cet appareil.
- Ne l'exposez pas à la pluie.
- Pour être sûr d'être toujours protégé contre les risques d'électrocution, branchez-le sur une prise de courant à contact de mise à la terre.
- L'appareil est livré avec un câble d'alimentation court pour éviter de s'emmêler ou de trébucher sur un câble plus long.
- On peut utiliser des câbles d'alimentation plus longs ou des cordons prolongateurs en prenant soin de les utiliser correctement.
- Si l'on utilise un câble d'alimentation plus long ou un cordon prolongateur, les caractéristiques électriques marquées doivent être d'un niveau au moins égal à celles de l'appareil et le câble doit être placé de telle sorte qu'il n'offre pas de risques d'être tiré ou de faire trébucher quelqu'un.
- Pour réduire les risques d'électrocution, le cordon prolongateur doit rester au sec et ne doit pas reposer sur le sol.
- Rangez le tournebroche à l'intérieur, hors de portée des enfants, lorsque vous ne l'utilisez pas.

CONSERVEZ CES INSTRUCTIONS

Spécifications Électriques

⚠ AVERTISSEMENT



Risque de choc électrique

Utiliser uniquement un cordon d'extension à 3 fils de calibre 14 AWG approuvé par UL pour utilisation à l'extérieur, marqué W-A, d'une longueur maximale de 50 pi.

Brancher sur une prise à 3 alvéoles reliée à la terre.

Ne pas enlever la broche de liaison à la terre.

Ne pas utiliser un adaptateur.

Le non-respect de ces instructions peut causer un décès, un incendie ou un choc électrique.

Si les codes le permettent et si un câble de mise à la terre séparé est utilisé, il est recommandé de faire vérifier par un électricien qualifié que la mise à la terre est correcte.

Vérifiez auprès d'un électricien qualifié si vous n'êtes pas sûr(e) que le gril soit correctement mis à la terre.

Il faut disposer d'une source de courant alternatif uniquement de 120-volt, 60-Hz, 15-ampère, avec fusible.

Il est recommandé d'utiliser un circuit séparé uniquement pour ce gril.

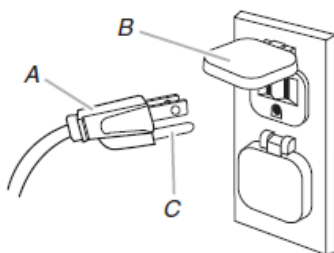
- Pour éviter les risques d'électrocution, ne mettez pas le câble électrique, la prise ou le moteur dans l'eau ou dans tout autre liquide.
- Débranchez la prise du tournebroche lorsque vous ne vous en servez pas et avant de le nettoyer. Laissez-le refroidir avant d'en enlever ou d'y replacer des éléments.
- N'utilisez jamais d'appareil de cuisine à gaz d'extérieur avec un câble ou une prise défectueuse, ou après que l'appareil n'ait pas fonctionné proprement ou ait été endommagé de quelque manière que ce soit. Adressez-vous au fabricant pour le faire réparer.
- Ne laissez pas le câble électrique en contact avec une surface chaude et ne le laissez pas pendre au bord d'une table ou d'un comptoir.
- N'utilisez pas un appareil de cuisson d'extérieur pour un usage autre que celui pour lequel il a été conçu.
- Lors du branchement, branchez toujours la prise sur l'appareil de cuisson extérieur d'abord, puis la prise du câble sur la prise murale.
- Utilisez uniquement un circuit protégé par un disjoncteur de fuite à la terre (GFI) avec cet appareil de cuisson à gaz d'extérieur.
- N'enlevez pas la broche de mise à la terre et n'utilisez pas avec un adaptateur à 2 broches.
- N'utilisez que des cordons prolongateurs munis d'une prise à 3 broches de mise à la terre appropriée au courant nominal requis par l'équipement et approuvée pour un usage à l'extérieur marquée W-A.

Méthode recommandée de mise à la terre

Le gril d'extérieur, une fois installé, doit être correctement relié à la terre conformément aux codes locaux en vigueur ou, en l'absence de tels codes, avec le National Electrical Code, ANSI/NFPA 70 ou le Code canadien de l'électricité, CSA C22.1.

On peut obtenir des exemplaires des normes mentionnées ci-dessus aux adresses suivantes :

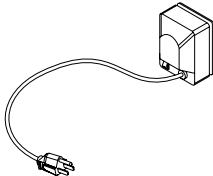
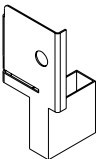
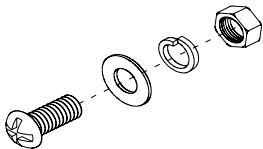
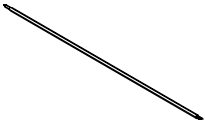
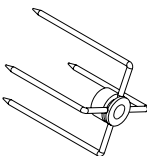
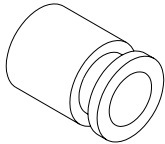
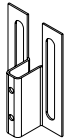
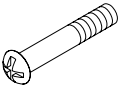
CSA International
8501 East Pleasant Valley Rd.
Cleveland, Ohio 44131-5575
National Fire Protection Association
One Batterymarch Park
Quincy, Massachusetts 02269



A. Prise à 3 broches reliée à la terre
B. Prise d'extérieur polarisée à 3 alvéoles
reliée à la terre et à disjoncteur différentiel
C. Broche de liaison à la terre

CONTENU DE LA TROUSSE DE TOURNEBROCHE

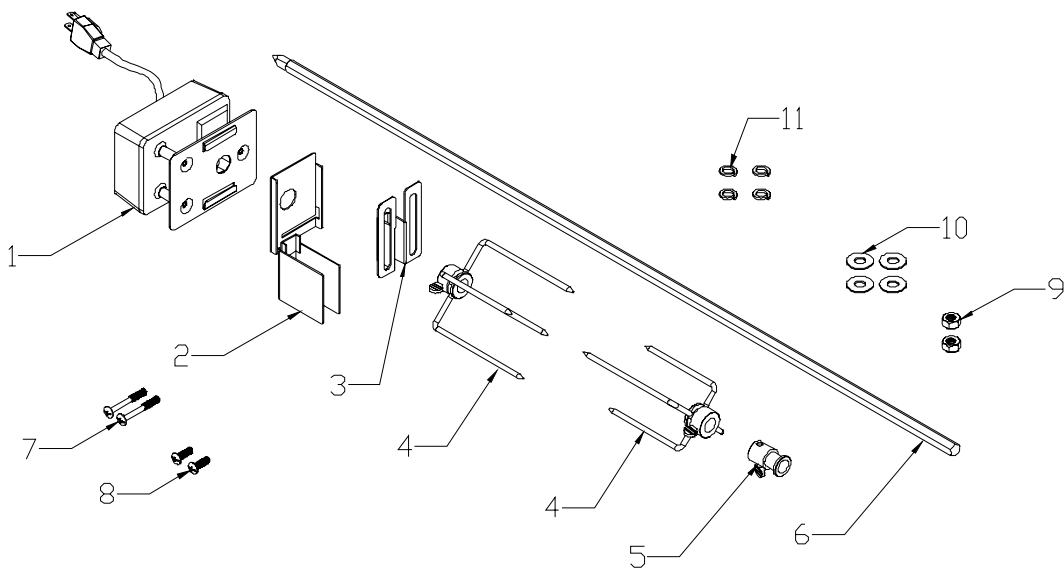
Modèle n°720-0826 (S'adapte à la plupart des barbecues de 27 à 32 pouces)

| | | |
|---|--|---|
| <p>A Moteur</p>  <p>1pc (720-0826)</p> | <p>B Support moteur</p>  <p>1pc (720-0826)</p> | <p>C Vis de 1/4-po. avec rondelle plate/rondelle frein/écrou</p>  <p>2pc (720-0826)</p> |
| <p>D Tige de la broche</p>  <p>1pc (720-0826)</p> | <p>E Cracher fourchette</p>  <p>2pc (720-0826)</p> | <p>F Embase de butée</p>  <p>1pc (720-0826)</p> |
| <p>G Support universel</p>  <p>1pc (720-0826)</p> | <p>H Boulon de support de 2-po.</p>  <p>2pc (720-0826)</p> | |

DES PIÈCES DE RECHANGE

| REF. | DESCRIPTION | COUVERTURE DE LA GARANTE | QTE |
|------|---------------------------|--------------------------|------|
| 1 | Moteur | 1 an | 1pc |
| 2 | Support moteur | 1 an | 1pc |
| 3 | Support universel | 1 an | 1pc |
| 4 | Cracher fourchette | 1 an | 2pcs |
| 5 | Embase de butée | 1 an | 1pc |
| 6 | Tige de la broche | 1 an | 1pc |
| 7 | Boulon de support de 2-po | 1 an | 2pcs |
| 8 | Vis de 1/4-po | 1 an | 2pcs |
| 9 | Écrou de 1/4-po | 1 an | 4pcs |
| 10 | Rondelle plate de 1/4-po | 1 an | 4pcs |
| 11 | Rondelle frein de 1/4-po | 1 an | 4pcs |

720-0826



MONTAGE DU TOURNEBROCHE

Grils Kitchen-Aid :

Temps approximatif requis pour l'assemblage : Environ 10 minutes

Outils nécessaires : Tournevis cruciforme (non fourni)

1. Pour joindre le support universel (G) et le support moteur (B), alignez les trous prévus à cet effet dans les deux supports et fixez à l'aide de deux boulons de 2-Po. (H) tel qu'indiqué à la Fig. 1.



Fig.1

2. Alignez les trous du support universel (G) avec les trous prévus à cet effet sur le côté gauche du gril. Fixez le support universel à l'aide de deux vis de ¼ po. avec rondelle plate/rondelle frein/écrou (C) tel qu'indiqué à la Fig. 2

Remarque: Il faudra peut-être régler le support universel une fois le moteur fixé et la tige de broche insérée.



Fig.2

3. Faites glisser le moteur du tournebroche (A) par dessus le support moteur (B) tel qu'indiqué à la Fig. 3 .



Fig.3

4. Placez les fourchettes à viande (E) sur la tige de broche (D) tel qu'indiqué à la Fig. 4.

Remarque: Les fourchettes du tournebroche sont très pointues.



Fig.4

5. Placez la tige de broche (D) dans le moteur (A), en vous assurant que la tige est alignée correctement avec le moteur, tel qu'indiqué à la Fig. 5.



Fig.5

6. Faites glisser l'embase de butée (F) à l'autre bout de la tige de broche et placez-la dans l'encoche du côté droit du gril. La vis à serrage à main de l'arbre devrait être à l'intérieur du foyer tel qu'indiqué à la Fig. 6.



Fig.6

⚠ AVERTISSEMENT



Risque de choc électrique

Utiliser uniquement un cordon d'extension à 3 fils de calibre 14 AWG approuvé par UL pour utilisation à l'extérieur, marqué W-A, d'une longueur maximale de 50 pi.

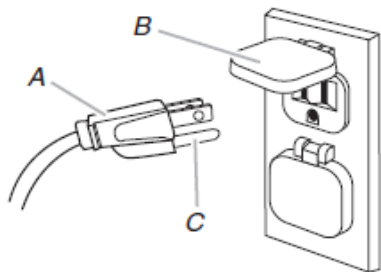
Brancher sur une prise à 3 alvéoles reliée à la terre.

Ne pas enlever la broche de liaison à la terre.

Ne pas utiliser un adaptateur.

Le non-respect de ces instructions peut causer un décès, un incendie ou un choc électrique.

7. Branchez sur une prise à 3 broches de mise à la terre.



- A. Prise à 3 broches reliée à la terre
- B. Prise d'extérieur polarisée à 3 alvéoles reliée à la terre et à disjoncteur différentiel
- C. Broche de liaison à la terre

Fig .7

8. On peut voir l'assemblage complet à la Fig.8.



Fig .8

MODE D'EMPLOI

MODE D'EMPLOI DU TOURNEBROCHE

IMPORTANT: Votre gril est peut-être équipé de brûleurs pour tournebroche. Le mode d'emploi ci-dessous inclut l'utilisation avec un gril équipé de brûleur de tournebroche et avec un gril sans brûleur de tournebroche. Assurez-vous que vous suivez bien les instructions appropriées pour votre gril.



Utilisation du tournebroche (voyez aussi le manuel d'instructions du gril)

Après avoir installé la tige du tournebroche, faites glisser l'une des fourchettes à viande sur la tige (avec les broches dirigées vers la viande.) Centrez le produit à faire griller sur la tige, puis poussez fermement les fourchettes l'une vers l'autre. Serrez les écrous à oreilles. Il s'avèrera peut-être nécessaire de mettre de la ficelle de boucher autour de la viande pour en rassembler les parties qui s'en détachent. N'utilisez jamais de ficelle de nylon ou de plastique.

Une fois les aliments bien fixés, insérez le bout pointu de la tige du tournebroche dans l'ensemble moteur et laissez reposer l'embase de butée à l'autre bout, dans l'encoche, sur le côté droit du gril. Mettez l'interrupteur à « MARCHE » pour démarrer le moteur du tournebroche. **Enlevez le tournebroche lorsqu'il n'est pas utilisé.**

UTILISATION DU TOURNEBROCHE AVEC BRÛLEUR À TOURNEBROCHE

Lorsque le tournebroche est monté et fonctionne, seul le brûleur à tournebroche doit être utilisé pour la cuisson. Les brûleurs principaux sur le gril devraient être à la position « ARRÊT » lorsque le brûleur à tournebroche est en marche.

IMPORTANT:

1. Vérifiez qu'il y a suffisamment d'espace par rapport aux grilles de cuisson avant d'allumer le gril car les grilles de cuisson vont chauffer. Si la viande touche les grilles de cuisson à n'importe quel stage de la rotation, il faut les enlever. **REMARQUE :** Si les grilles de cuisson sont enlevées, assurez-vous que la viande ne touche pas le(s) brûleur(s).
2. Mettez une lèchefrite peu profonde sous la nourriture pour recueillir les graisses et rendre le nettoyage plus facile.
3. Tournez l'interrupteur à la position « MARCHE » pour démarrer le moteur du tournebroche. Réglez le brûleur à tournebroche au niveau le plus bas pour commencer.
4. Vérifiez la vitesse de rotation de la tige de broche. Si elle ne tourne pas à une vitesse constante, remplacez la viande sur les fourchettes pour éviter une rotation déséquilibrée du moteur. Une rotation déséquilibrée de la tige peut endommager le moteur.
5. Surveillez souvent la nourriture et réglez la température du brûleur sur la base de vos observations. Peut ceci demandera quelques expérimentations car chaque gril est différent dans sa façon de chauffer et de cuire.

UTILISATION DU TOURNEBROCHE SANS BRÛLEUR À TOURNEBROCHE

1. N'utilisez pas de brûleurs situés directement sous l'aliment qui est sur la tige de broche car ces brûleurs pourraient créer des flammes et brûler l'aliment.
- Surveillez souvent la nourriture et réglez la température sur la base de vos observations. Peut ceci demandera quelques expérimentations car chaque gril est différent dans sa façon de chauffer et de cuire.

SOIN ET ENTRETIEN

1. Les fourchettes à viande et la tige de broche doivent être lavées dans de l'eau chaude et savonneuse après chaque utilisation. Ne mettez ni le moteur, ni le câble, ni la prise dans l'eau.
2. Rangez la trousse de tournebroche à l'intérieur, hors de portée des enfants, lorsqu'elle n'est pas utilisée.

DÉPANNAGE

PROBLÈMES

Il y a des pièces qui manquent ou le moteur ne fonctionne pas.

La tige de broche s'infléchit quand elle tourne.

La tige ne tourne pas à vitesse constante.

SOLUTIONS

Appelez le service à la clientèle au: 1-877-373-2301

Il est normal que la tige s'infléchisse lorsque l'on fait cuire de gros morceaux de viande.

Remplacez la viande sur la tige pour obtenir une meilleure distribution du poids.

GARANTIE LIMITÉE

Nexgrill garantit à l'acheteur/consommateur initial uniquement que ce produit (Modèles n° 720-0826) ne présentera aucun défaut de fabrication ou matériau défectueux s'il a été correctement assemblé et s'il est utilisé dans des conditions normales et raisonnables, en résidence privée, pendant les périodes indiquées ci-dessous, à partir de la date d'achat. Le fabricant se réserve le droit de demander une preuve photographique des dommages ou le renvoi par la poste de la pièce défectueuse pour qu'elle puisse être inspectée et examinée, avec frais d'expédition pré-payés par le consommateur.

TOUTES LES PIÈCES : 1 an de garantie LIMITÉE

**Ne couvre pas l'écaillage, les égratignures, la corrosion des surfaces fissurées ou la rouille.*

Le fabricant réparera ou remplacera les pièces qui auront été prouvées défectueuses pendant la période de garantie applicable sur présentation de la preuve de l'achat par le consommateur, tel que prévu dans ce document. Les pièces nécessaires à ces réparations ou remplacement seront sans frais pour le consommateur à l'exception des frais d'expédition tant que la période de garantie depuis la date originale d'achat ne sera pas écoulée. Le consommateur/acheteur initial sera responsable de tous les frais d'expédition des pièces remplacées conformément aux termes de cette garantie limitée. La garantie limitée est applicable uniquement aux États-Unis et n'est accordée qu'à l'acheteur initial; elle n'est pas transférable. Le fabricant demande une preuve raisonnable de la date de votre achat. Par conséquent vous devrez conserver votre reçu de caisse ou facture. Si l'appareil a été offert en cadeau, veuillez demander à la personne qui l'a offert d'envoyer, en votre nom, le reçu à l'adresse ci-dessous. Les pièces défectueuses ou manquantes, objet de cette garantie limitée ne seront pas remplacées sans enregistrement ou preuve d'achat. Cette garantie limitée s'applique à la fonctionnalité du produit UNIQUEMENT et ne couvre pas les problèmes de cosmétique comme les égratignures, les bosses, la corrosion ou l'altération de la couleur causée par la chaleur, les produits de nettoyage chimiques ou abrasifs, les outils quels qu'ils soient utilisés pour l'assemblage ou l'installation de l'appareil, la rouille à la surface ou l'altération de la couleur des surfaces en acier inoxydable. La rouille de surface, la corrosion ou l'écaillage de la peinture en poudre sur les parties métalliques qui n'affectent pas l'intégrité structurelle du produit ne sont pas considérés comme des défauts de fabrication ou comme des matériaux défectueux et ne sont pas couverts par cette garantie. Cette garantie limitée ne vous remboursera pas le coût du désagrément occasionné, de la nourriture perdue, des blessures ou des dégâts matériels. Si aucune pièce de remplacement n'est disponible, une pièce comparable vous sera envoyée. Vous serez responsable de tous les frais d'expédition des pièces remplacées conformément aux termes de cette garantie.

ÉLÉMENTS POUR LESQUELS LE FABRICANT NE PAIERA PAS :

- Les demandes de service à domicile.
- Les réparations lorsque le produit a été utilisé à des fins autres qu'un usage normal en propriété familiale privée ou résidentielle.
- Les dégâts résultant d'un accident, d'une modification, d'un mauvais usage, d'un manque d'entretien/nettoyage, d'un usage abusif, d'un incendie, d'une inondation et autres cas fortuits, d'une installation incorrecte ou d'une installation non-conforme aux codes en vigueur concernant l'électricité et la plomberie, ou de l'utilisation de produits non-approuvés par le fabricant.
- Toute perte d'aliment due à la défaillance du produit.
- Le remplacement des pièces ou les réparations lorsque l'appareil est utilisé à l'extérieur des États-Unis et du Canada.
- La collecte et la livraison du produit.
- Les frais d'expédition ou de traitement des photos envoyées comme documentation.
- Les pièces ou réparations résultant de modifications non autorisées faites au produit.
- L'enlèvement ou la réinstallation du produit.
- Les frais d'expédition normaux ou express pour les réparations sous garantie ou non et les pièces de rechange.

AVIS DE NON RESPONSABILITÉ DE GARANTIES TACITES: LIMITATION DES RECOURS

La réparation ou le remplacement des pièces défectueuses est votre seul recours conformément aux termes de cette garantie limitée. Le fabricant ne pourra être tenu pour responsable de tout dommage indirect ou accessoire résultant d'une infraction à cette garantie limitée, à toute autre garantie tacite applicable ou pour toute défaillance ou dommages résultant d'événements fortuits, d'un entretien et de soins incorrects, de feu dû à la graisse, d'accident, de modification, de remplacement de pièces par toute autre personne que le fabricant, de mauvais usage, de transport, d'usage commercial, d'usage abusif, d'environnements hostiles (mauvais temps, cas de force majeure, interférence par des animaux), d'une installation incorrecte ou non conforme aux codes en vigueur ou aux instructions du manuel du fabricant.

CETTE GARANTIE LIMITÉE EST LA SEULE GARANTIE EXPRESSÉMENT DONNÉE PAR LE FABRICANT. AUCUNE CARACTÉRISTIQUE OU DESCRIPTION DE PERFORMANCE DU PRODUIT OÙ QU'ELLE SE TROUVE N'EST GARANTIE PAR LE FABRICANT SAUF DANS LES LIMITES PRÉVUES PAR CETTE GARANTIE LIMITÉE. TOUTE PROTECTION PAR GARANTIE TACITE RÉSULTANT DES LOIS D'UN ÉTAT QUEL QU'IL SOIT, Y COMPRIS LA GARANTIE TACITE DE QUALITÉ MARCHANDE OU D'ADAPTABILITÉ À UN USAGE OU À UN OBJECTIF PARTICULIER, EST LIMITÉE DANS SA DURÉE À LA DURÉE DE CETTE GARANTIE LIMITÉE.

Ni les concessionnaires, ni les détaillants qui vendent le produit ne sont autorisés de quelque manière que ce soit à donner des garanties supplémentaires ou à promettre des recours qui ne correspondent pas ou qui vont au-delà de ceux qui sont mentionnés plus haut. La responsabilité maximale du fabricant ne pourra en aucun cas excéder le prix d'achat documenté du produit, payé par l'acheteur initial. Cette garantie s'applique uniquement aux produits achetés chez un détaillant ou revendeur agréé.

REMARQUE : Certains États ne permettent pas d'exclusion ou de limitation des dommages indirects ou accessoires, donc certaines des exclusions et limitations mentionnées plus haut pourraient ne pas s'appliquer à vous; cette garantie limitée vous donne des droits légaux spécifiques tel que prévu dans ce document. Vous pourriez également avoir d'autres droits qui varient d'un État à l'autre.

Si vous désirez vous prévaloir de toute obligation prévue par cette garantie limitée, vous devrez écrire à :

Nexgrill Customer Relations

5270 Edison Avenue.,
Chino, CA 91710

Pour toute assistance concernant les réexpéditions au consommateur, les commandes de pièces détachées, les questions d'ordre général et les dépannages, veuillez appeler le : 1-877-373-2301.

(R)/TM (c) 2012 KitchenAid. All rights reserved.

Manufactured under license by Nexgrill Industries, Inc., Chino, CA. Warranty provided by manufacturer.

(R)/TM (c)2012 KitchenAid. Tous droits réservés.

Fabriqué sous licence par Nexgrill Industries, Inc., Chino, CA. Garantie fournie par le fabricant.

(R)/TM (c)2012 KitchenAid. Todos los derechos reservados.

Fabricado bajo licencia por Nexgrill Industries, Inc., Chino, CA. Garantía provista por el fabricante.