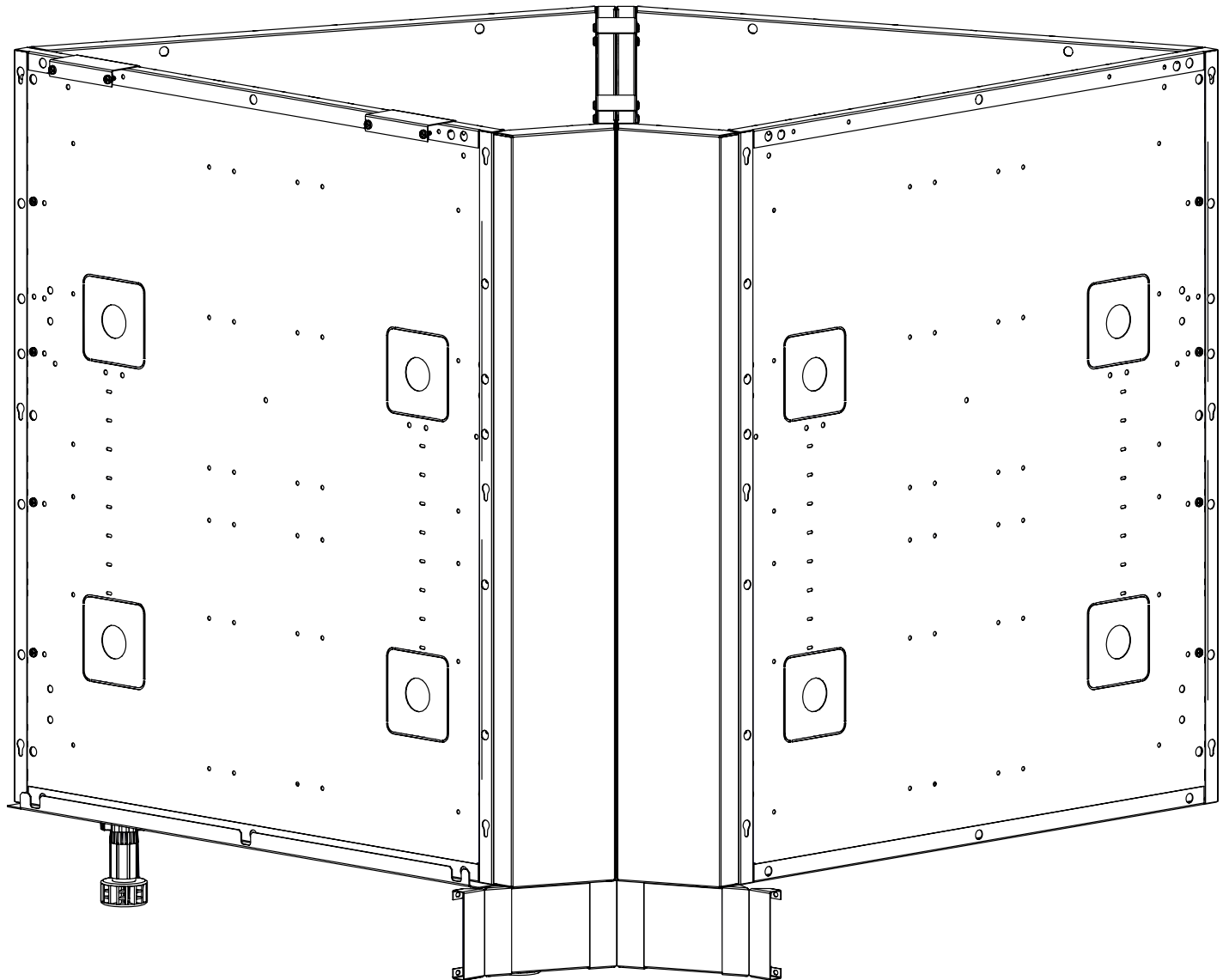


Broil King®

ASSEMBLY MANUAL & PARTS LIST - MANUEL DE MONTAGE & LISTE DE PIÈCES - MANUAL DE ARMADO Y LISTA DE PARTES



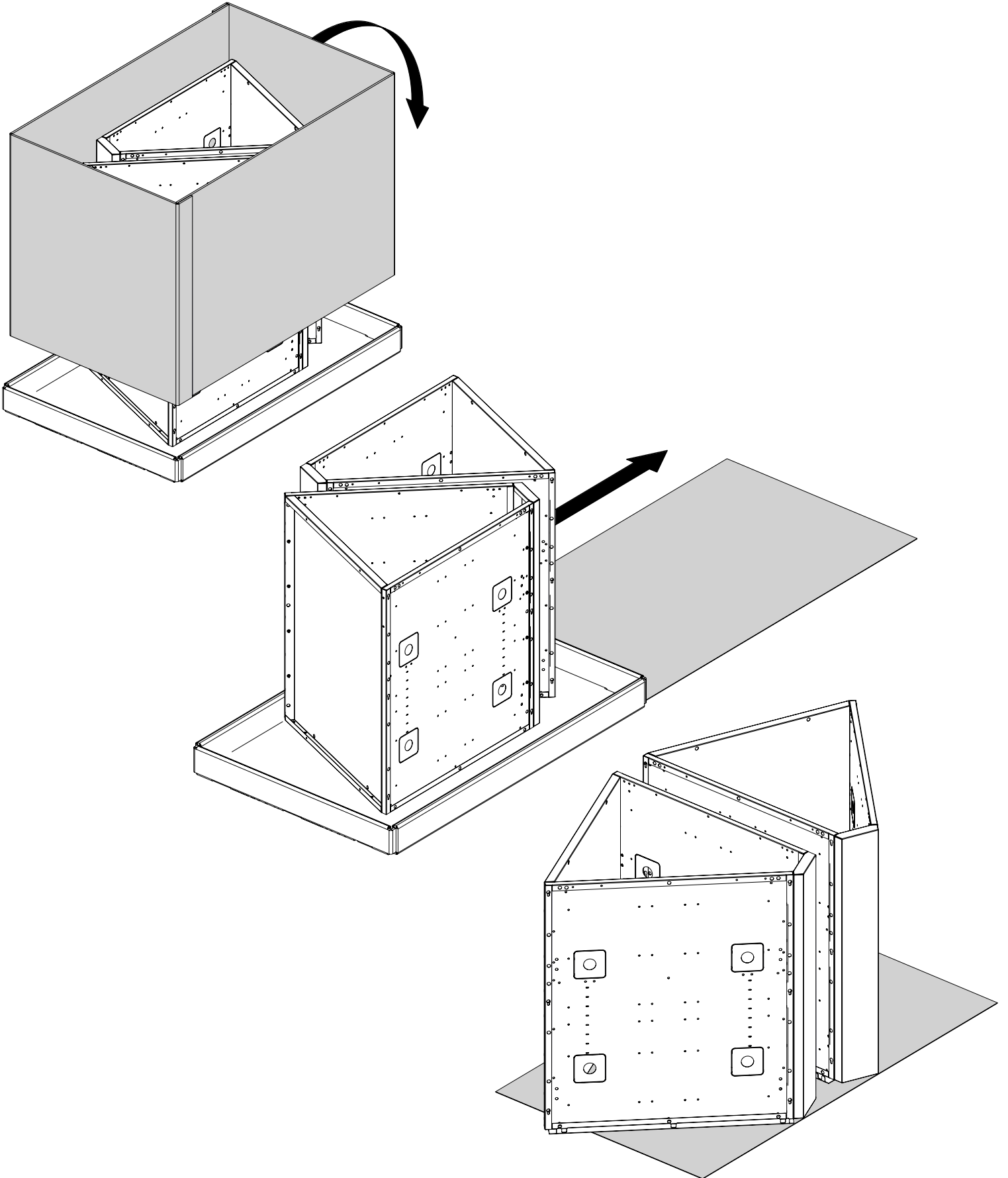
Broil King
803900

RETAIN FOR FUTURE REFERENCE - VEUILLEZ CONSERVER POUR REFERENCE ULTERIEURE - CONSERVAR PARA FUTURAS CONSULTAS

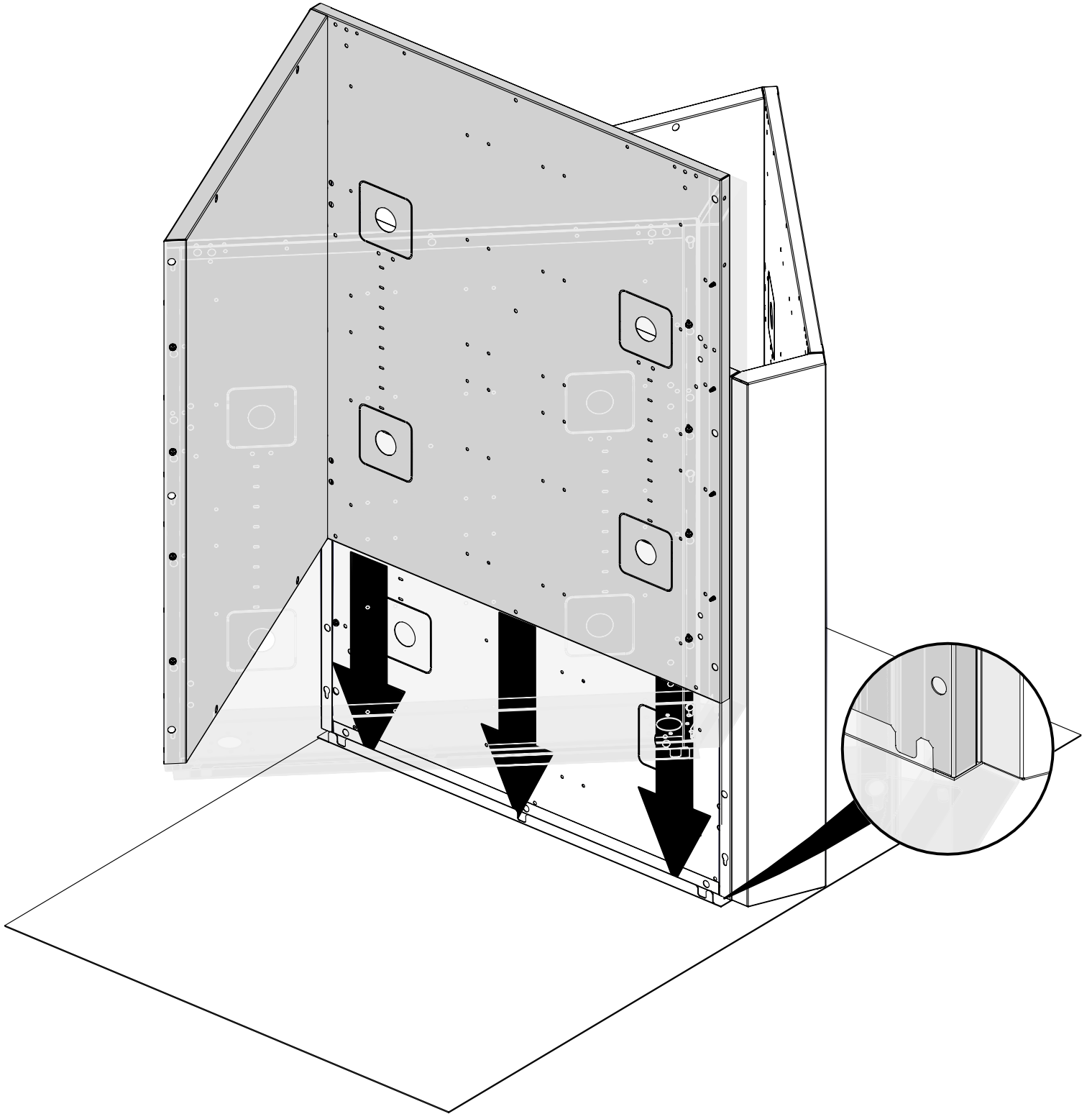
Onward
SINCE 1906
MANUFACTURING COMPANY
585 KUMPF DRIVE LIMITED
WATERLOO, ONTARIO, CANADA
N2V 1K3

70084-E13 REV A 06/21

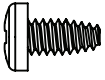
1

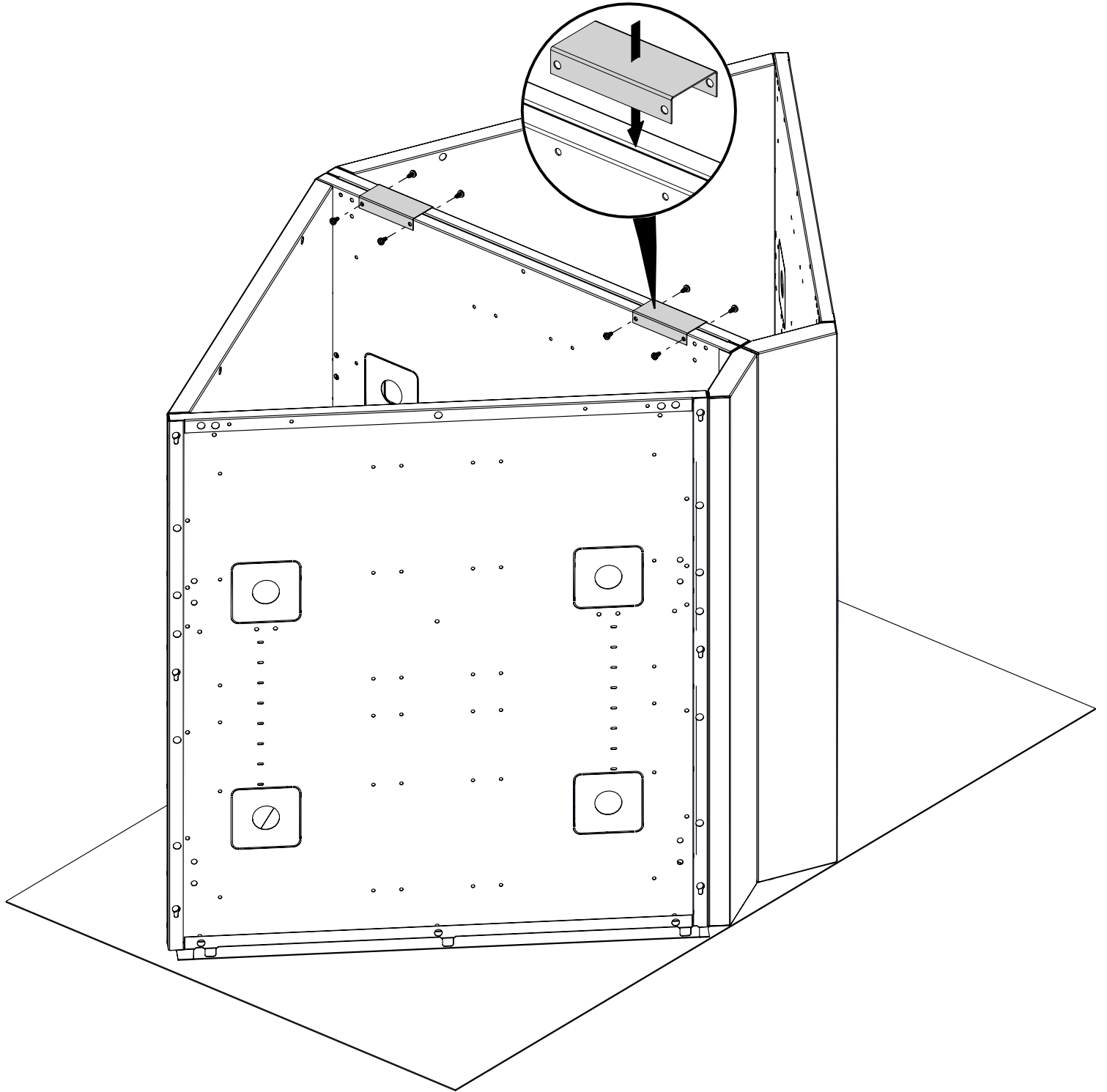


2

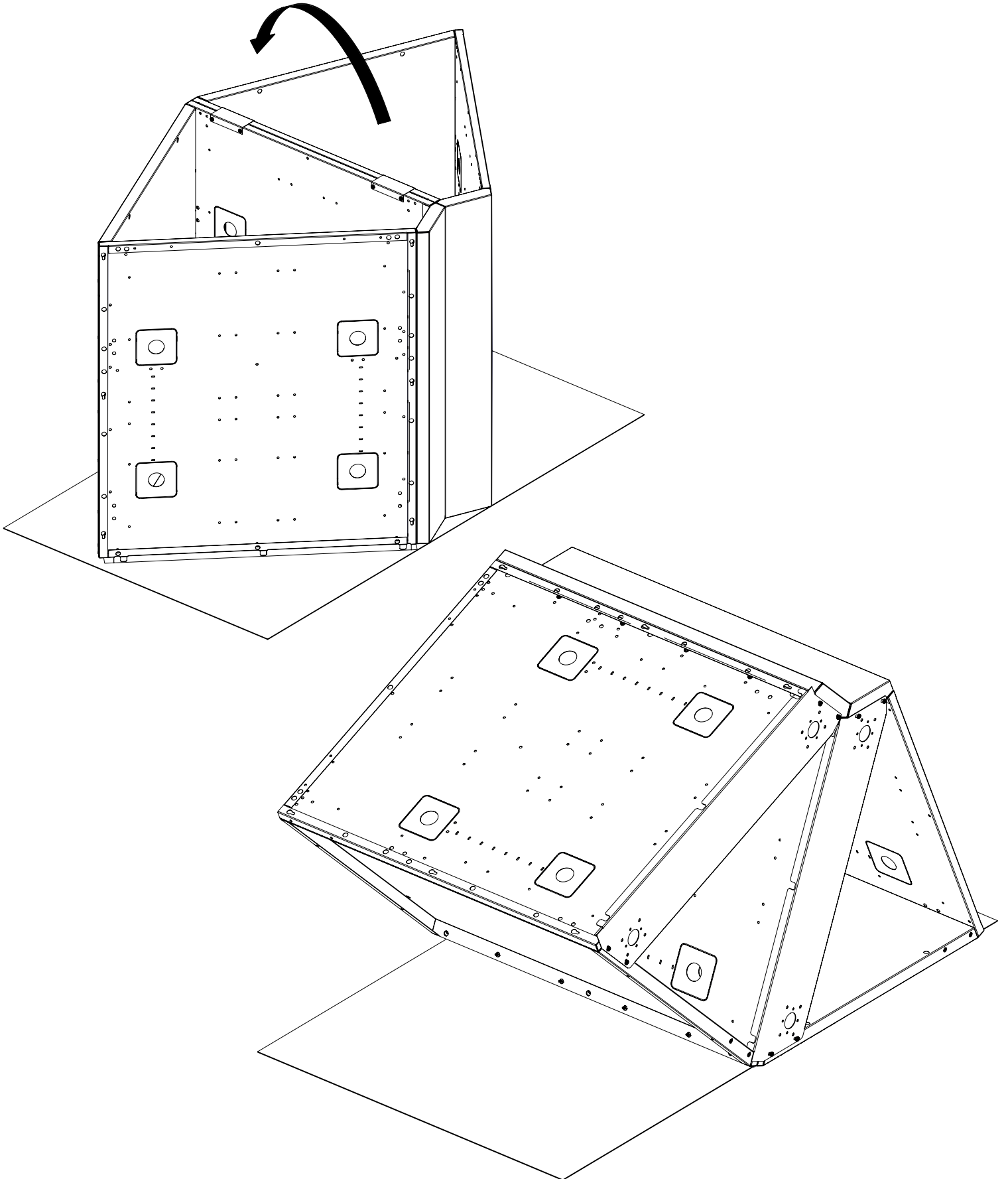


3

(8) 

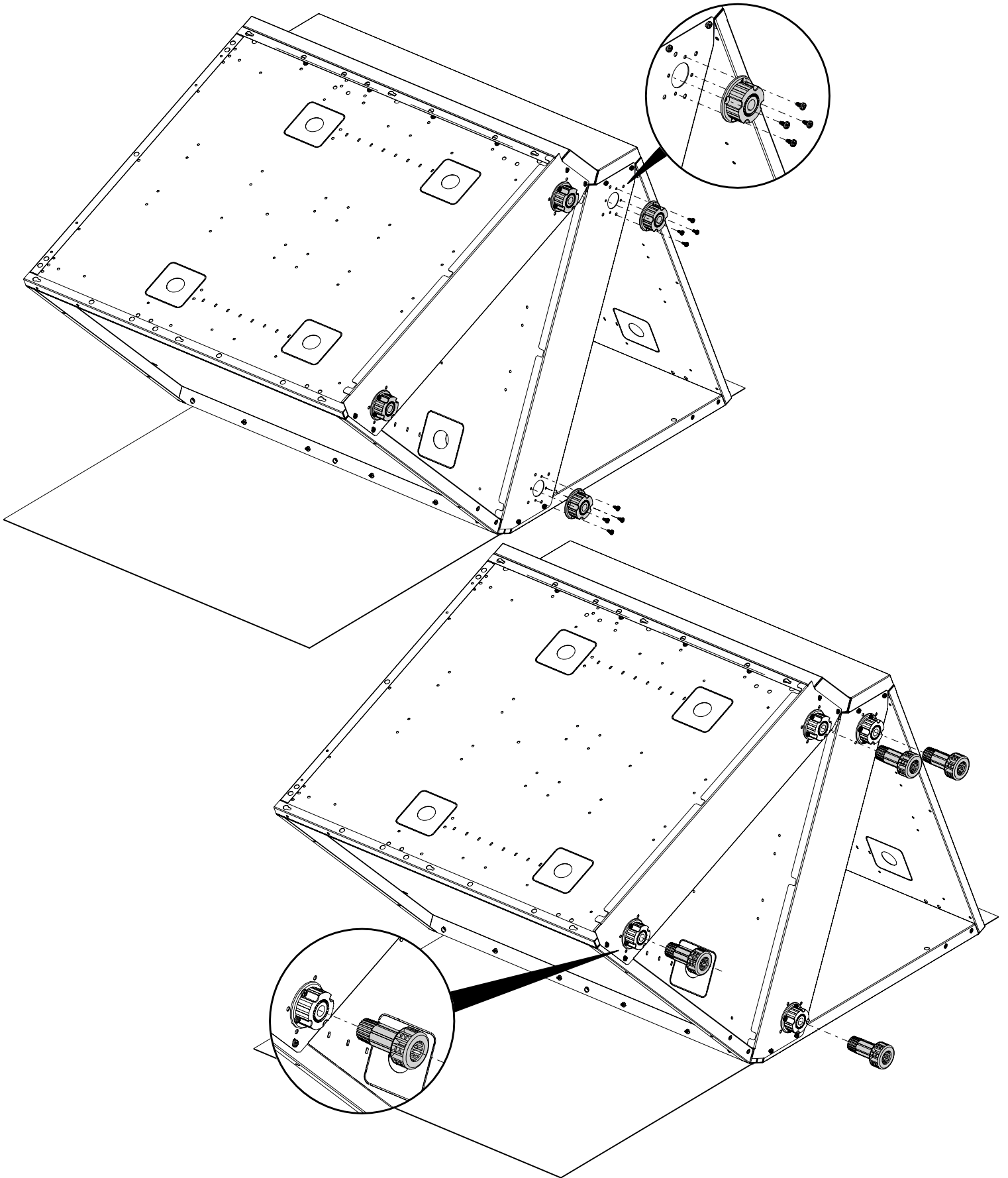
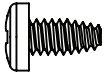


4

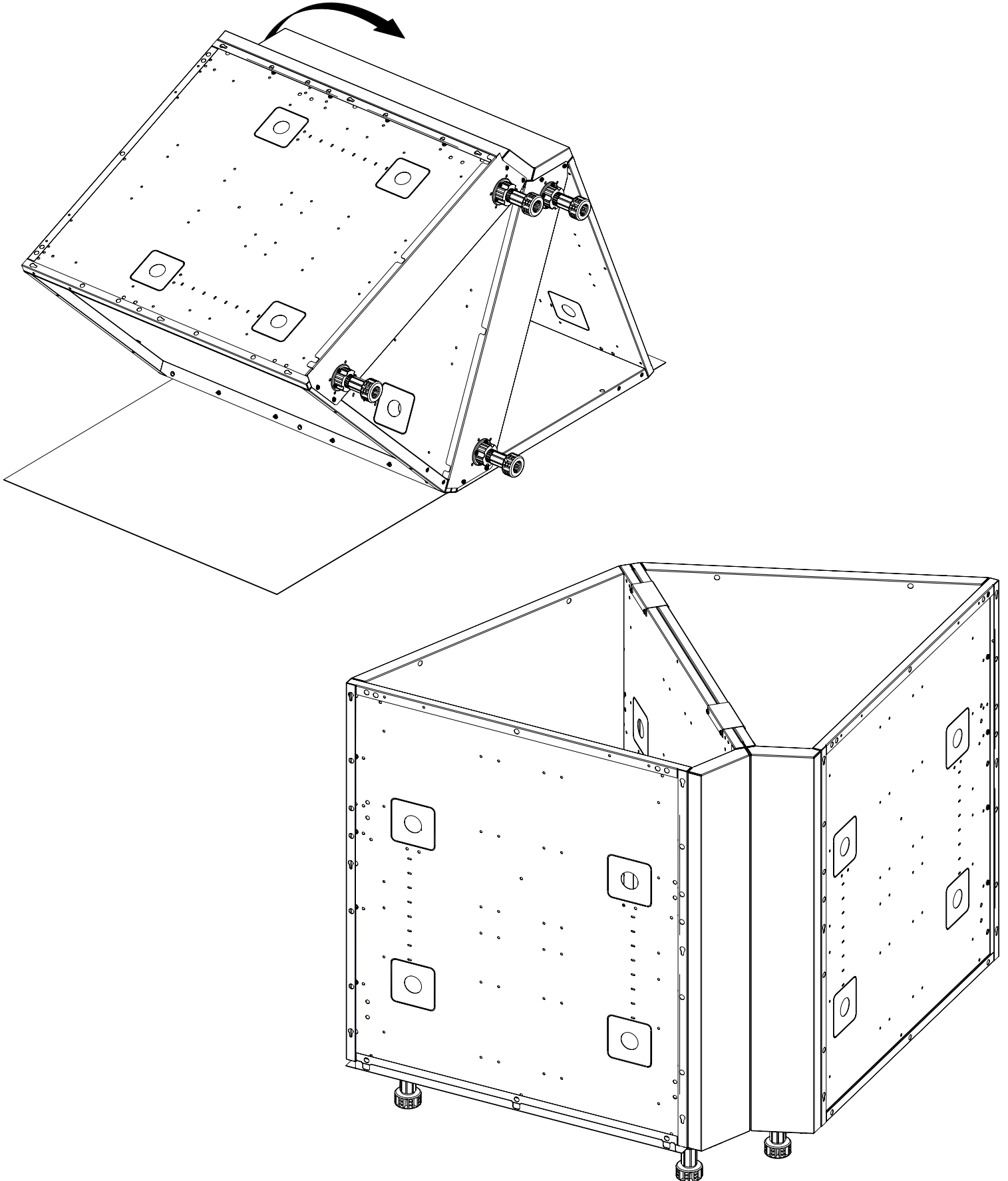


5

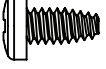
(16)

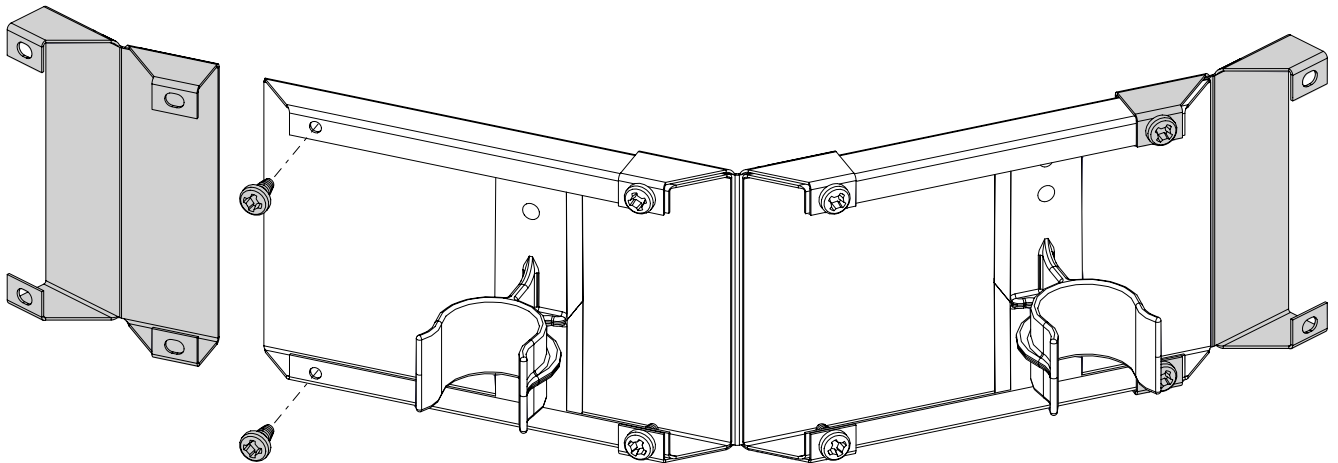
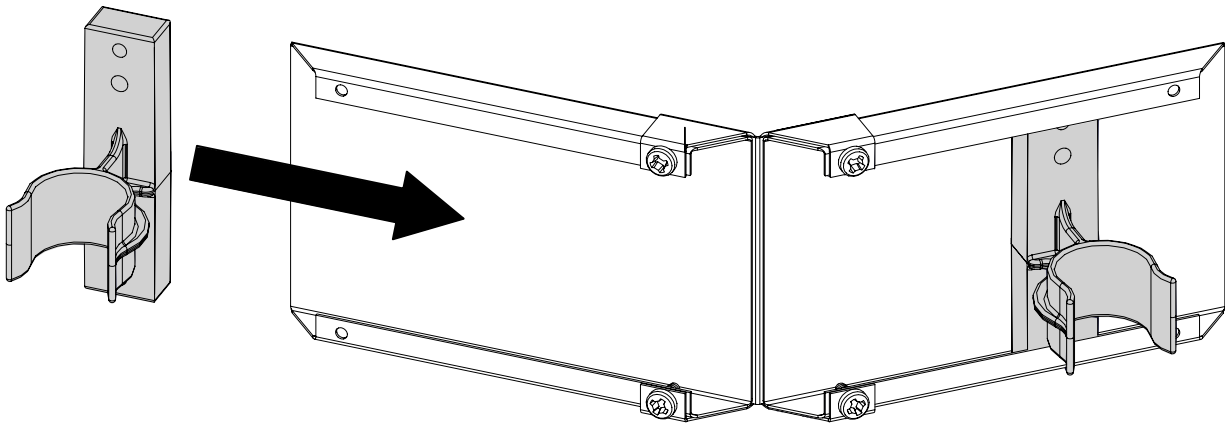
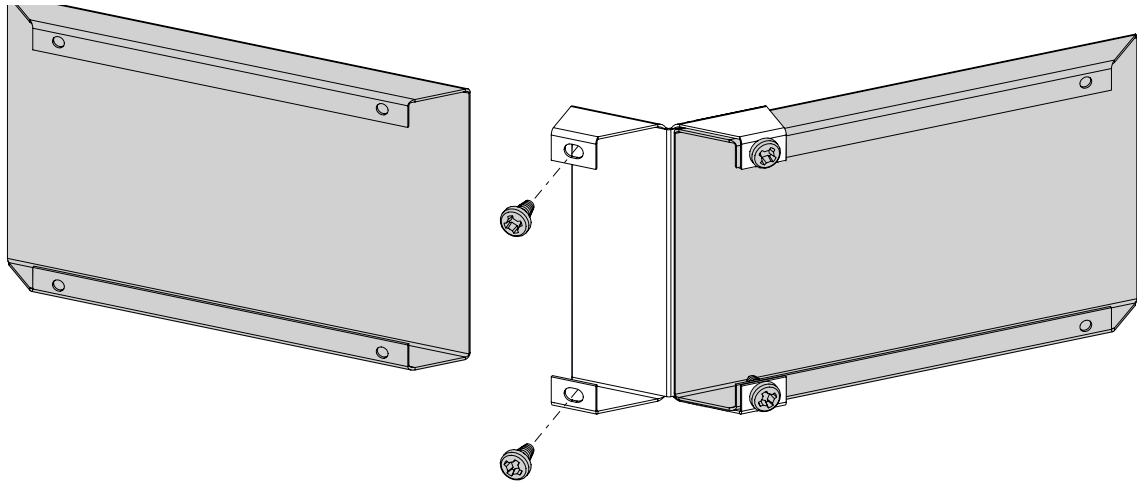
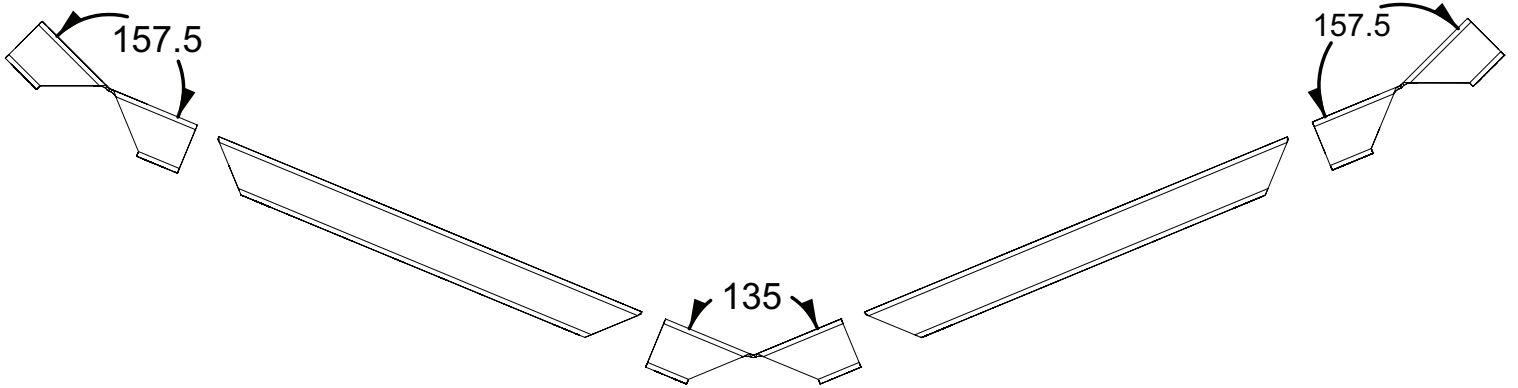


6

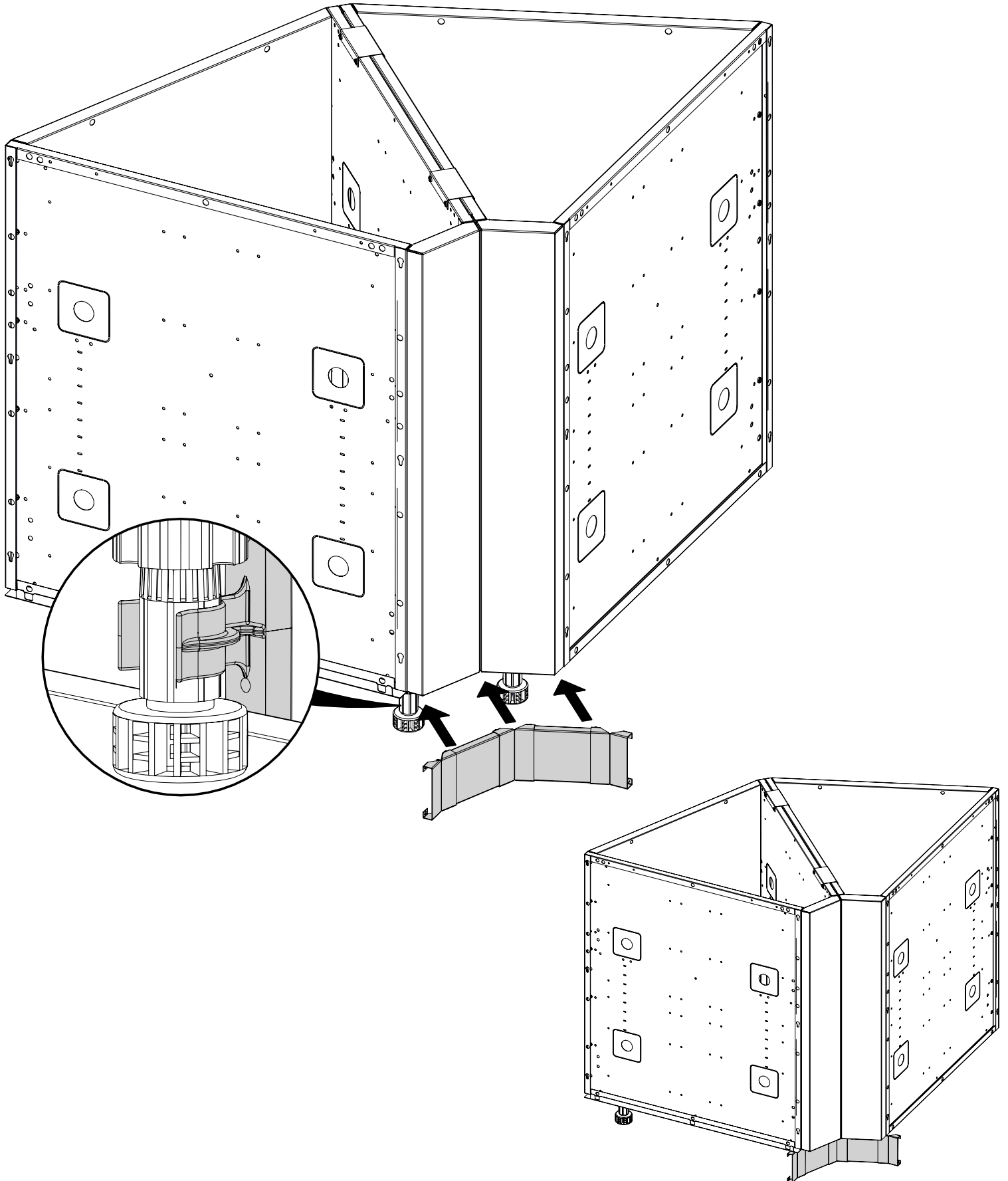


7

(8) 

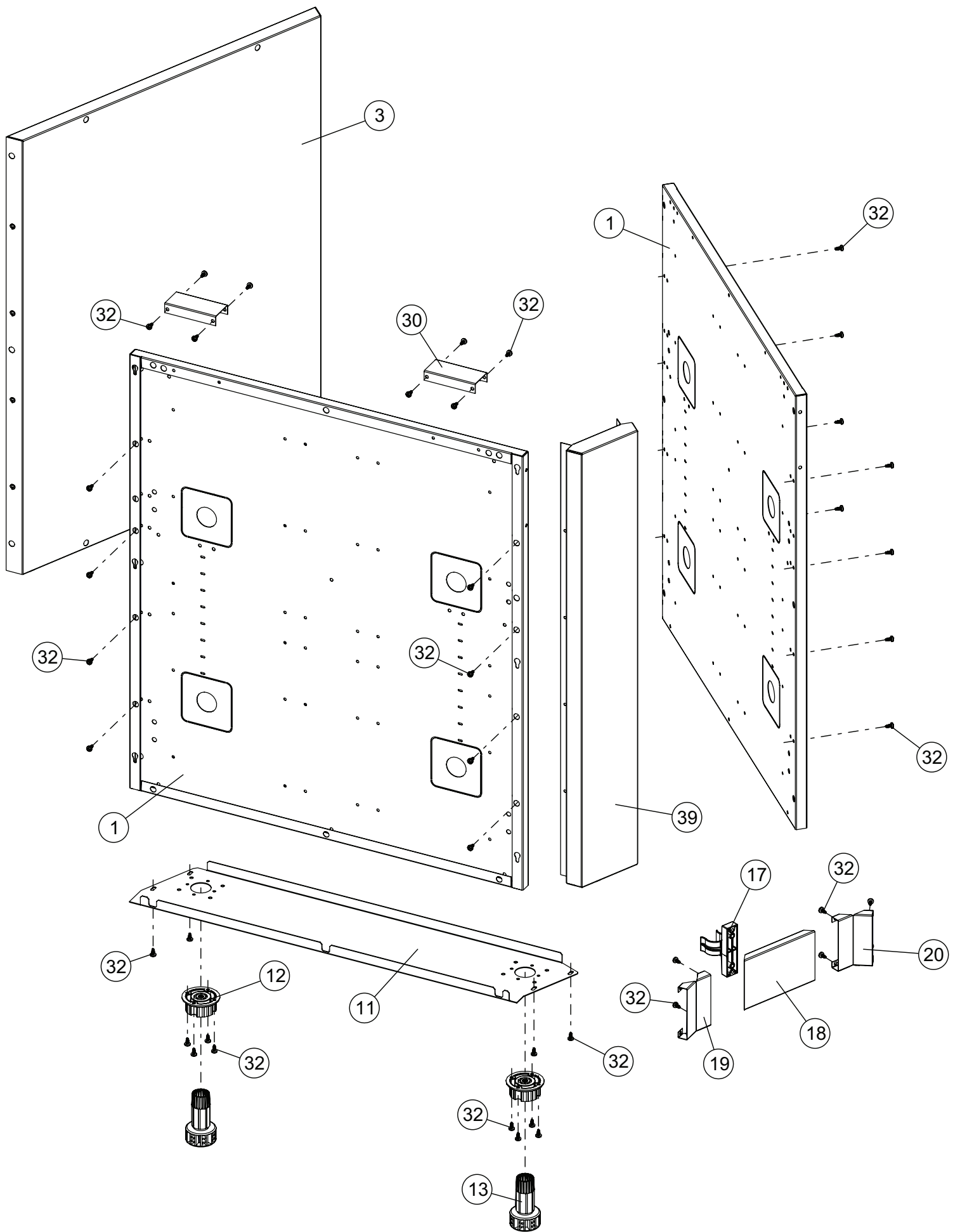


8



PARTS LIST / LISTE DES PIECES / LISTA DE PARTES

<u>KEY #</u>	<u>ITEM #</u>	<u>DESCRIPTION</u>	<u>DESCRIPTION</u>	<u>DESCRIPTION</u>	<u>803900</u>
1	71289-183	SIDE PANEL	PANNEAU LATERALE	PANEL LATERAL	4
3	77387-103	REAR PANEL	PANNEAU - ARRIERE	PANEL - POSTERIOR	2
11	71631-103	CASTOR BRACKET	SUPPORT DE ROULLETTE	SOPORTE - PARA RUEDITA	2
12	71039-078	LEVELER BRACKET	TÊTE DE NIVELEUR À VISSER	CABEZA PARA NIVELADOR	4
13	71099-078	LEVELER LEG	NIVELEUR DE CAISSON	NIVELADOR	4
17	71039-108	KICK PLATE LEG CLIP	ATTACHE POUR COUP-DE-PIED	GRAPA PARA NIVELADOR	2
18	71507-003	KICK PLATE	PLAQUE COUP-DE-PIED	RODAPIÉS	2
19	71530-133	KICK PLATE BRACKET	SUPPORT POUR PLAQUE COUP-DE-PIED	BASE PARA GRAPA	4
20	71530-123	KICK PLATE BRACKET	SUPPORT POUR PLAQUE COUP-DE-PIED	BASE PARA GRAPA	1
30	76039-103	CABINET CLAMP	PINCE DE CABINET	ALICATES PARA GABINETE	4
32	Y-29304S	SCREW #10-24 X 3/8	VIS #10-24 X 3/8	TOURNILLO #10-24 X 3/8	80
39	71289-103	FRONT PANEL	PANNEAU AVANT	PANEL FRONTAL	2

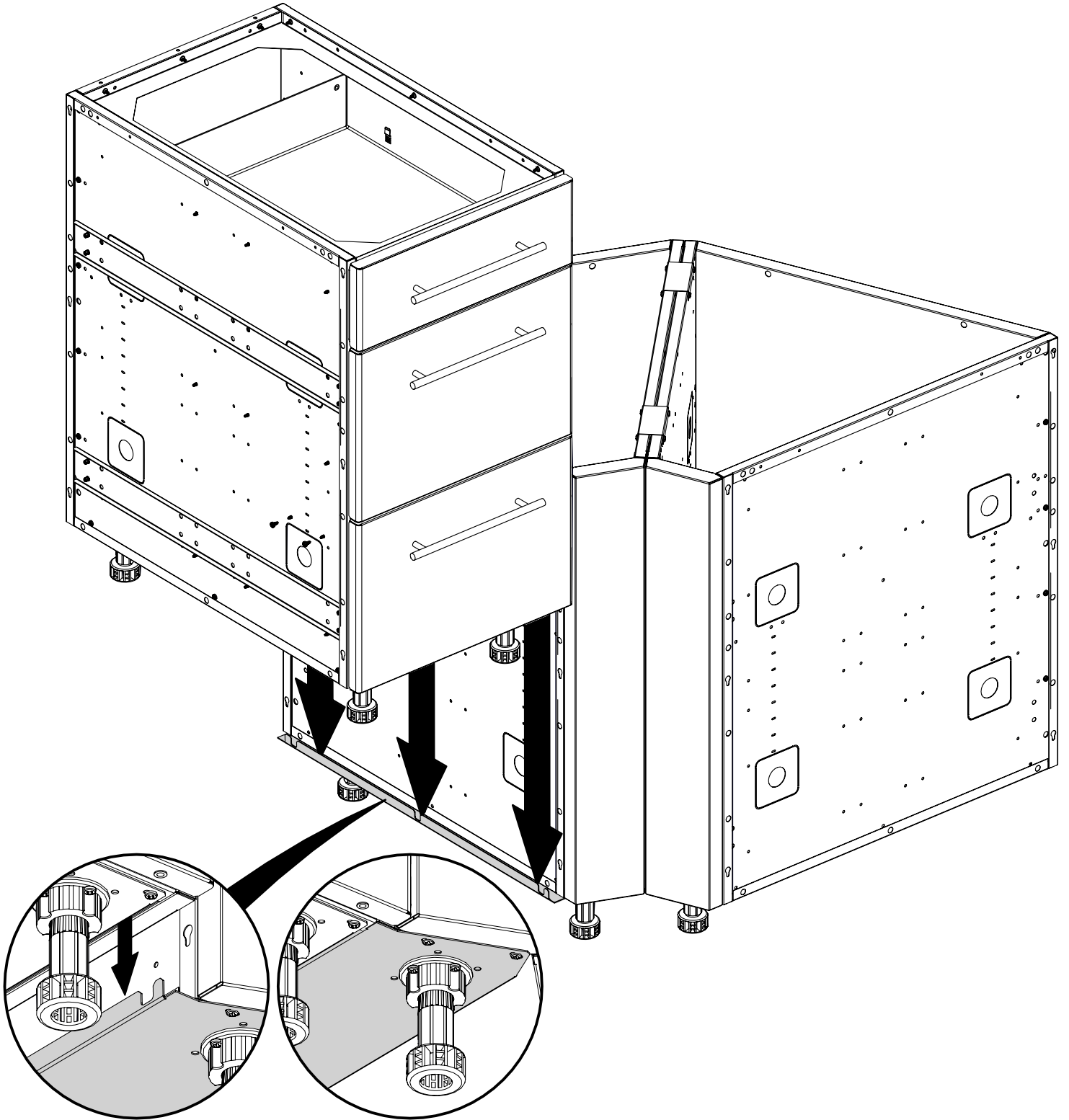


Broil King®

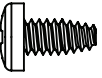


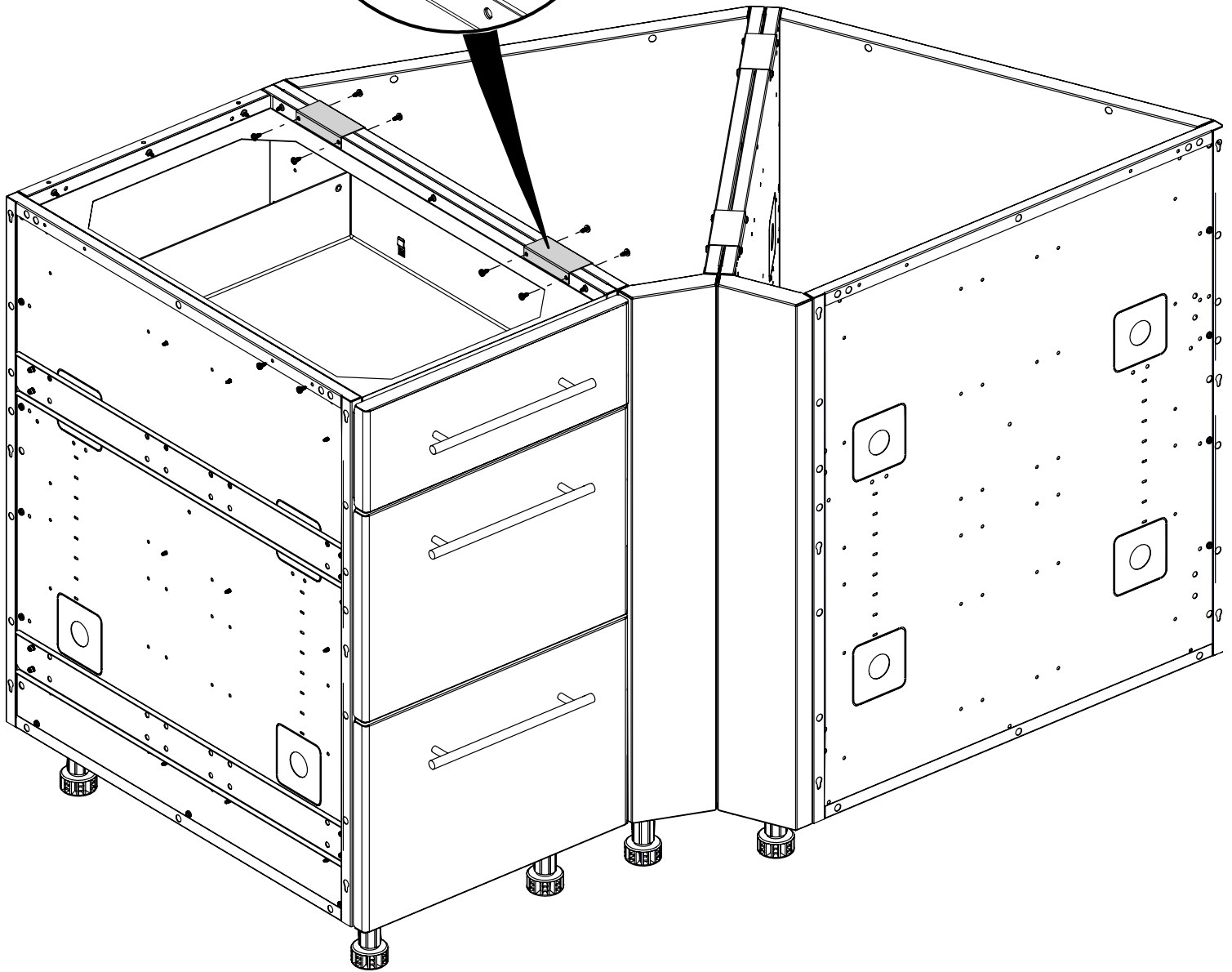
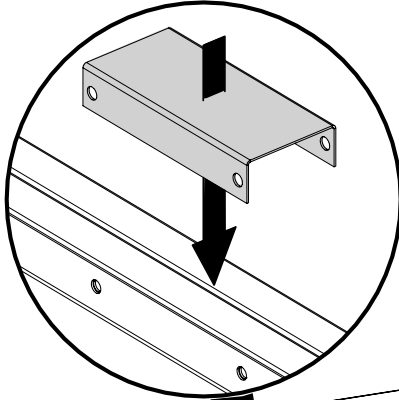
Onward
MANUFACTURING COMPANY LIMITED
SINCE 1906
585 KUMPF DRIVE
WATERLOO, ONTARIO, CANADA
N2V 1K3

1

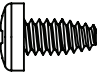


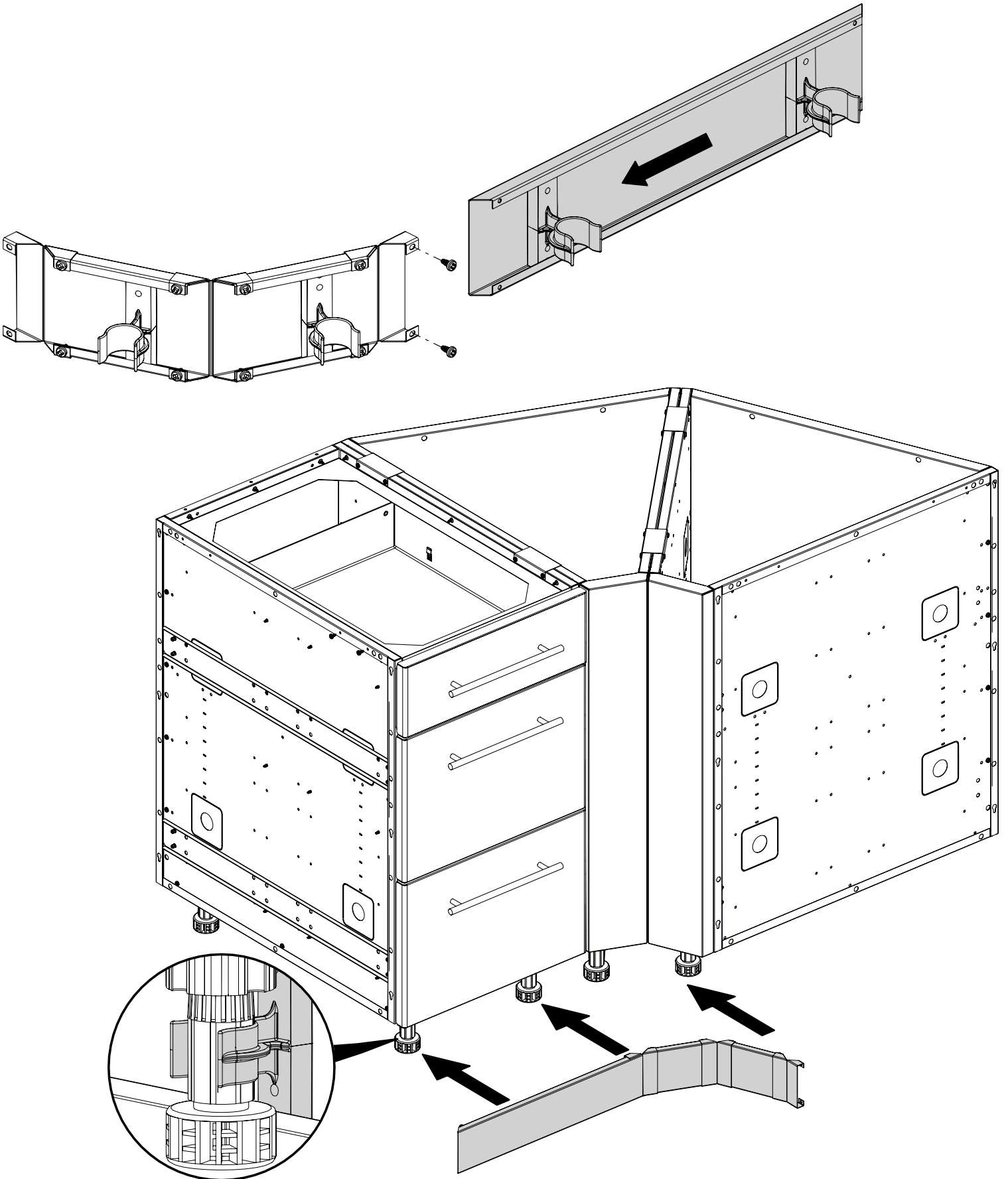
2

(8) 



3

(2) 



4

