



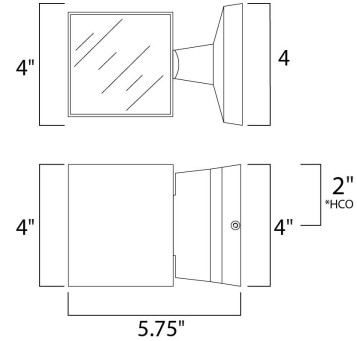
Lighting Your Life Since 1970

Product Specifications - 86107AL

Job Name:	Job Type:
Quantity:	Comments:



86107AL
Lightray 2-Light LED Wall Sconce



Finish

Brushed Aluminum

Glass/Shade

Product Category

Outdoor Wall Mount

Lamping

Number of Bulbs	2
Light Type	LED
Bulb Type	LED
Max Bulb Wattage	4.5
Max Fixture Wattage	9
Rated Life	
Rated Lumens	±630
Color Temp	±3,000 K
Bulb(s)	Included
Light Up/Down	BOTH
Beam Spread	N/A
CRI	80
Photo Cell Included	N/A
Ballast/Driver/Transformer	No
Dimmable	Standard/Lutron® CL or Leviton® LED Recommended

Measurements

Width	4.00"
Height	4.00"
Length	N/A
Extension	6"
Back Plate Width	4.00"
Back Plate Height	4.00"
HCO	2.00"
Min Overall Height	0.00"
Max Overall Height	N/A
Hanging Weight	1.10 lbs
Height Adjustable	N/A
Slope	N/A
Chain Length	N/A
Wire Length	N/A
Canopy Width	N/A
Canopy Height	N/A
Canopy Length	N/A

Shipping

Carton Weight	1.32 lbs
Carton Width	7"
Carton Height	8"
Carton Length	7"
Carton Cubic Feet	0.20
Master Pack	10
Master Pack Weight	13.20 lbs
Master Pack Width	13.98"
Master Pack Height	9.25"
Master Pack Length	33.46"
Master Cubic Feet	2.50
UPS Shippable	Yes

Certification

Safety Rating	Wet
Energy Star	No
CA Title 24	No
CA Title 20	No
ADA	No
Dark Sky	N/A

Other

UPC Code	783209109650
Shades Included	N/A
Crystals Included	N/A
Diffuser Included	N/A
Conversion Kit	N/A
Material	N/A

Equivalents

Incandescent Watts	N/A
Fluorescent Watts	N/A

Maxim Lighting International and all designs, logos and images © 2015 Maxim Lighting International. All Rights Reserved. Maxim Lighting International reserves the right, at any time, to make changes in the design and/or construction of the product including the discontinuation of product without prior notice. Color may vary from what is pictured above due to limitations inherent to photographic processes.

Always consult a qualified, licensed electrician before installation of any product weighing 35 pounds or more. We recommend that a qualified, licensed electrician do the installation. Always install to a mechanically sound structure.