



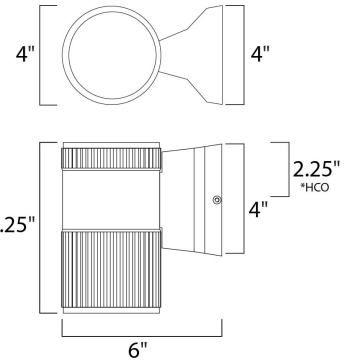
Lighting Your Life Since 1970

Product Specifications - 86122AL

Job Name:	Job Type:
Quantity:	Comments:



86122AL
Lightray 1-Light LED Wall Sconce



*height from center of outlet to the top of the fixture

Finish

Brushed Aluminum

Glass/Shade

Product Category
Outdoor Wall Mount

Lamping

Number of Bulbs	1
Light Type	LED
Bulb Type	LED
Max Bulb Wattage	10
Max Fixture Wattage	10
Rated Life	
Rated Lumens	±700
Color Temp	±3,000 K
Bulb(s)	Included
Light Up/Down	N/A
Beam Spread	N/A
CRI	80
Photo Cell Included	N/A
Ballast/Driver/Transformer	Yes
	Standard/Lutron® CL or Leviton® LED Recommended
Dimmable	

Measurements

Width	4.00"
Height	6.25"
Length	N/A
Extension	6"
Back Plate Width	4.00"
Back Plate Height	4.00"
HCO	2.25"
Min Overall Height	0.00"
Max Overall Height	N/A
Hanging Weight	2.43 lbs
Height Adjustable	N/A
Slope	N/A
Chain Length	N/A
Wire Length	N/A
Canopy Width	N/A
Canopy Height	N/A
Canopy Length	N/A

Shipping

Carton Weight	2.87 lbs
Carton Width	7"
Carton Height	9"
Carton Length	8"
Carton Cubic Feet	0.27
Master Pack	10
Master Pack Weight	28.67 lbs
Master Pack Width	17.52"
Master Pack Height	9.65"
Master Pack Length	33.46"
Master Cubic Feet	3.27
UPS Shippable	Yes

Certification

Safety Rating	Wet
Energy Star	No
CA Title 24	No
CA Title 20	No
ADA	No
Dark Sky	Yes

Other

UPC Code	783209109070
Shades Included	N/A
Crystals Included	N/A
Diffuser Included	N/A
Conversion Kit	N/A
Material	N/A

Equivalents

Incandescent Watts	N/A
Fluorescent Watts	N/A

Maxim Lighting International and all designs, logos and images © 2015 Maxim Lighting International. All Rights Reserved. Maxim Lighting International reserves the right, at any time, to make changes in the design and/or construction of the product including the discontinuation of product without prior notice. Color may vary from what is pictured above due to limitations inherent to photographic processes.

Always consult a qualified, licensed electrician before installation of any product weighing 35 pounds or more. We recommend that a qualified, licensed electrician do the installation. Always install to a mechanically sound structure.