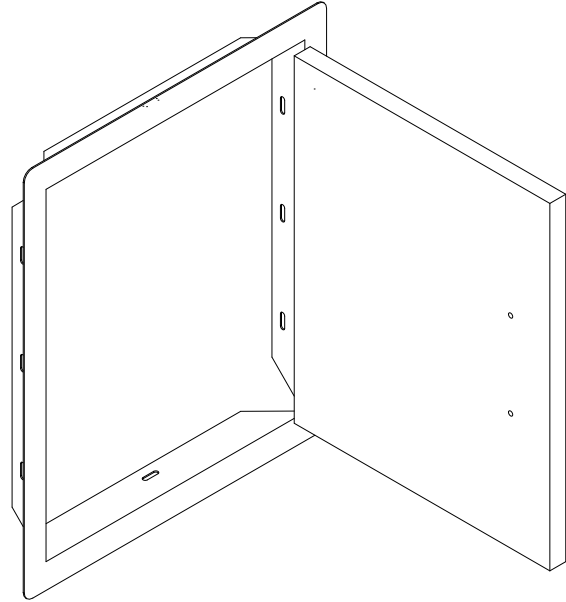
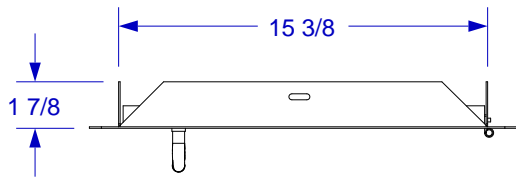




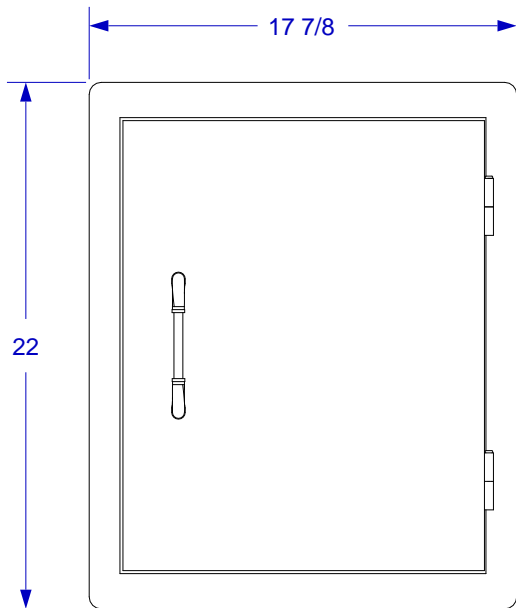
VERTICAL DOOR SPEC SHEET



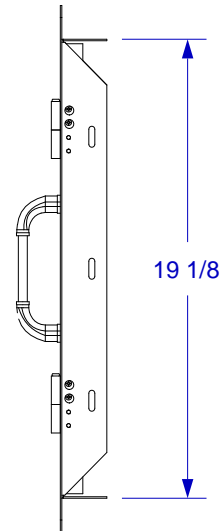
ISOMETRIC VIEW



TOP VIEW



FRONT VIEW



RIGHT SIDE VIEW

NOTES:

1. CUTOUT DIMENSIONS: 15 3/4" W X 19 1/2" H X 2" D
2. SCALE: 1 1/2" = 1'-0"
3. REVISION: 10/2014