



## INDY

900972FMW-NWA

INDY 72" FAN

DETAILS	
FAN FINISH:	Matte White
BLADE COUNT:	3
SLOPE DEGREE:	20

DIMENSIONS	
WIDTH:	72"
HEIGHT:	13.3"
TOP TO OUTLET:	0

LIGHT SOURCE	
VOLTAGE:	120v

MOUNTING	
CANOPY:	6" Dia.
LEAD WIRE:	1 X 76"

The raw, edgy style of Indy is the perfect complement for all modern industrial design-inspired rooms. Available in Brushed Nickel, Matte Black, Matte White or Metallic Matte Bronze finish options, Indy features sleek composite blades. Indy is so versatile; it can be used for both indoor and outdoor spaces. Blades are included with every fan.

### PRODUCT DETAILS:

- This item includes a 6" down rod. Other various lengths of down rods are available and sold separately to customize the installation height.
- Suitable for use in wet (interior direct splash and outdoor direct rain or sprinkler) locations as defined by NEC and CEC. Meets United States UL Underwriters Laboratories.
- This item may be hung on a sloped ceiling
- Fan Control included, Wall Control - 4 Speed Non-Reversing
- Motor carries a lifetime warranty
- Blades, controls, switches, capacitors and hardware carry a 1 year warranty
- Bold lines and a clean, minimalist style creates a modern look
- Fans should be installed at a minimum of 7 feet from the floor

# HINKLEY

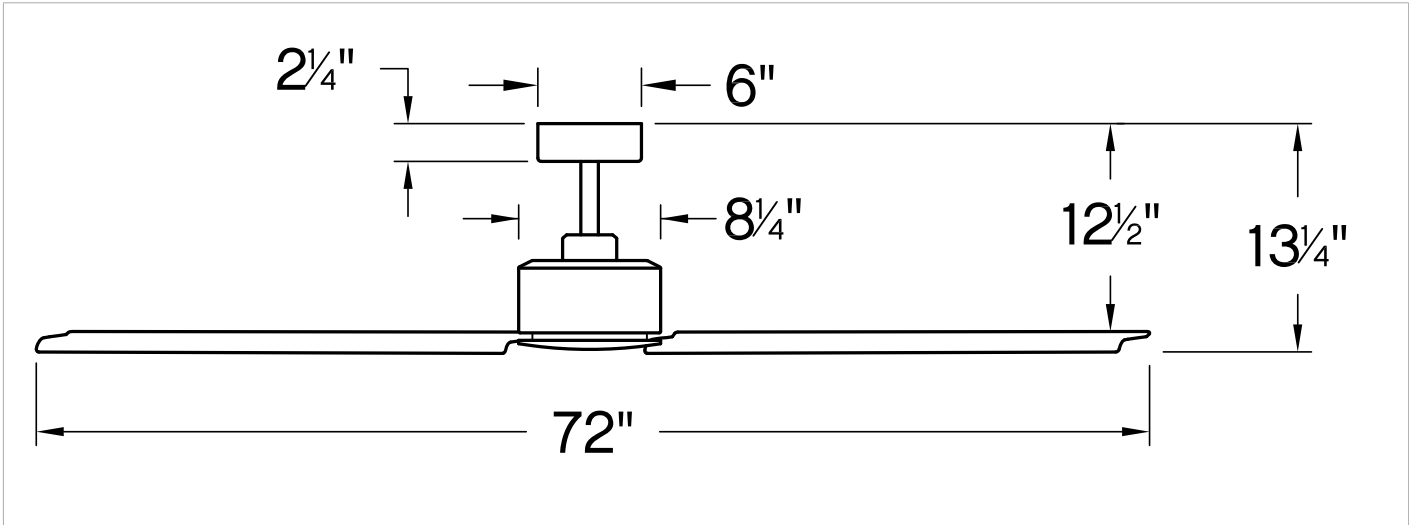
HINKLEY  
33000 Pin Oak Parkway  
Avon Lake, OH 44012

PHONE: (440) 653-5500  
Toll Free: 1 (800) 446-5539

[hinkley.com](http://hinkley.com)

# INDY 72" FAN

900972FMW-NWA



PERFORMANCE SPECIFICATIONS	STANDARD	
	HIGH SPEED	AVERAGE SPEED
Airflow	6425	4465
EnergyUse	62.6	39
EnergyCost	18	11
Efficiency	103	115
AMPS	0.52	0.37
RPMS	83	72

**AVERAGE PERFORMANCE AND ENERGY INFORMATION**

## ENERGYGUIDE

Estimated Yearly Energy Cost

# \$11

Cost Range of Similar Models (19" – 84")

\$3 | | | \$34

- Based on 12 cents per kWh and 6.4 hours use per day
- Your cost depends on rates and use
- Energy Use: 39 Watts

Airflow

# 4,465

Cubic Feet Per Minute

- The higher the airflow, the more air the fan will move
- Airflow Efficiency: 115 Cubic Feet Per Minute Per Watt

All estimates based on typical use, excluding lights [ftc.gov/energy](http://ftc.gov/energy)

Airflow Shown Is a Weighted Average of High and Low Cubic Feet per Minute Based on Downrod

# HINKLEY

HINKLEY  
33000 Pin Oak Parkway  
Avon Lake, OH 44012

PHONE: (440) 653-5500  
Toll Free: 1 (800) 446-5539

[hinkley.com](http://hinkley.com)