



OASIS

901652FMB-NWA

OASIS 52" FAN

DETAILS	
FAN FINISH:	Matte Black
BLADE COUNT:	5
SLOPE DEGREE:	26

DIMENSIONS	
WIDTH:	52"
HEIGHT:	14.3"
TOP TO OUTLET:	0

LIGHT SOURCE	
VOLTAGE:	120v

MOUNTING	
CANOPY:	6.25" Dia.
LEAD WIRE:	1 X 76"

Part of the Regency Series, Oasis offers a simple yet classic all-you-need design, available in Appliance White, Brushed Nickel, Chalk White, Graphite, Matte Black or Metallic Matte Bronze finish options. Oasis is so versatile; it can be used for both indoor and outdoor spaces and the housing and components are constructed of composite materials to offer maximum durability in harsh climates. Blades are included with every fan.

PRODUCT DETAILS:

- This item includes a 4.5" down rod. Other various lengths of down rods are available and sold separately to customize the installation height.
- Suitable for use in wet (interior direct splash and outdoor direct rain or sprinkler) locations as defined by NEC and CEC. Meets United States UL Underwriters Laboratories.
- This item may be hung on a sloped ceiling
- Pull chain manual reverse, accessory controls available
- Additional blade options are available
- Add a functional light kit to customize the look of the fan
- The Regency Series features a range of traditional ceiling fans designed to enhance a wide variety of spaces with ease.
- Fan housing and components are constructed of composite materials to offer maximum durability in harsh climates

HINKLEY

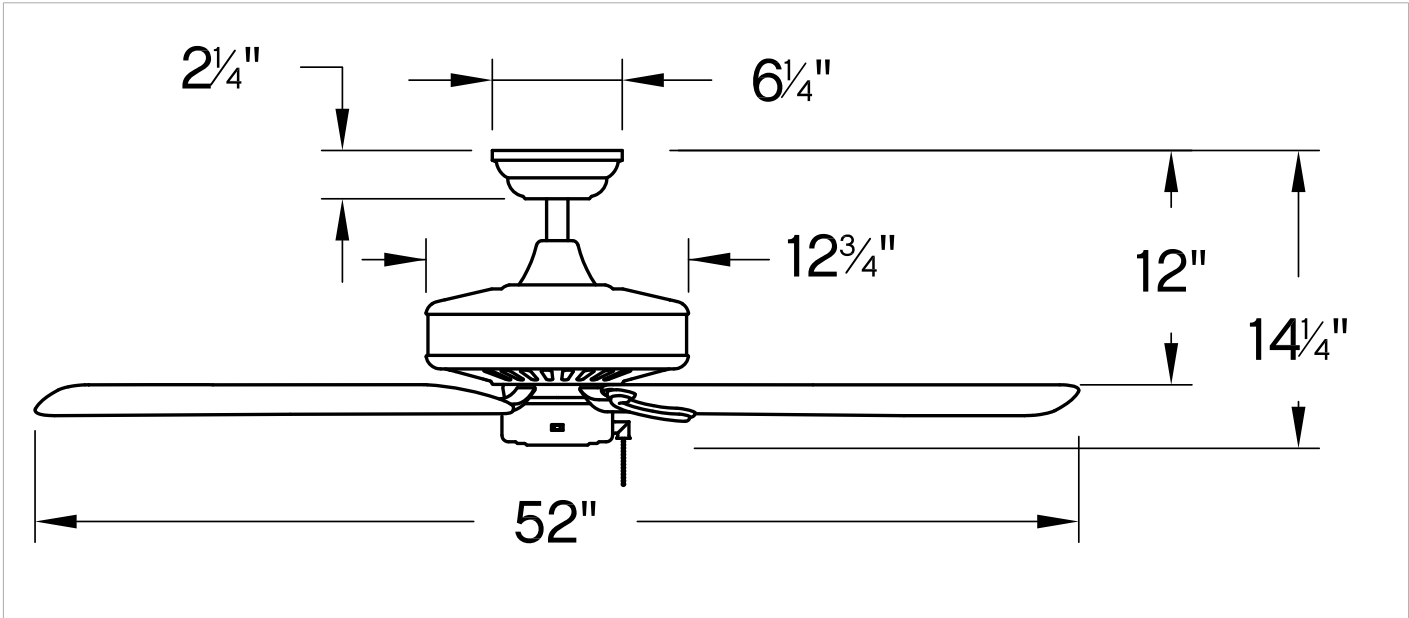
HINKLEY
33000 Pin Oak Parkway
Avon Lake, OH 44012

PHONE: (440) 653-5500
Toll Free: 1 (800) 446-5539

hinkley.com

OASIS 52" FAN

901652FMB-NWA



PERFORMANCE SPECIFICATIONS	STANDARD	
	HIGH SPEED	AVERAGE SPEED
Airflow	5455	3867
EnergyUse	58.8	36
EnergyCost	16	10
Efficiency	93	106
AMPS	0.49	0.35
RPMS	161	111

AVERAGE PERFORMANCE AND ENERGY INFORMATION

ENERGYGUIDE

Estimated
Yearly Energy Cost
\$10

\$3
\$34

Cost Range of Similar Models (19" – 84")

- Based on 12 cents per kWh and 6.4 hours use per day
- Your cost depends on rates and use
- Energy Use: 36 Watts

Airflow
3,867
Cubic Feet Per Minute

- The higher the airflow, the more air the fan will move
- Airflow Efficiency: 106 Cubic Feet Per Minute Per Watt

All estimates based on typical use, excluding lights ftc.gov/energy

Airflow Shown is a Weighted Average of High and Low Cubic Feet per Minute Based on Downrod

HINKLEY

HINKLEY
33000 Pin Oak Parkway
Avon Lake, OH 44012

PHONE: (440) 653-5500
Toll Free: 1 (800) 446-5539

hinkley.com