

VANTAGE

902466FMB-LWD

VANTAGE 66" LED FAN

DETAILS	
FAN FINISH:	Matte Black
GLASS:	Etched Opal
BLADE COUNT:	8
SLOPE DEGREE:	20

DIMENSIONS	
WIDTH:	66"
HEIGHT:	16.8"
TOP TO OUTLET:	0

LIGHT SOURCE	
VOLTAGE:	120v

MOUNTING	
CANOPY:	6" Dia.
LEAD WIRE:	1 X 76"



Create a major aesthetic statement with Vantage's modern industrial design featuring gently curved blades. Available in a variety of finish options, it can be applied to a range of spaces. Vantage is equipped with integrated LED and DC motor technology to deliver excellent energy efficiency. Vantage is so versatile, it can be used for both indoor and outdoor spaces. Blades are included with every fan.

PRODUCT DETAILS:

- This item includes a 6" down rod. Other various lengths of down rods are available and sold separately to customize the installation height.
- Suitable for use in wet (interior direct splash and outdoor direct rain or sprinkler) locations as defined by NEC and CEC. Meets United States UL Underwriters Laboratories.
- Meets California Energy Commission 2013 & 2016 Title regulations/JA8
- This item may be hung on a sloped ceiling
- This item includes a light kit cover
- Fan Control included, HIRO Control - 6 Speed Reversing
- LED components carry a 5-year limited warranty
- Motor carries a lifetime warranty

HINKLEY

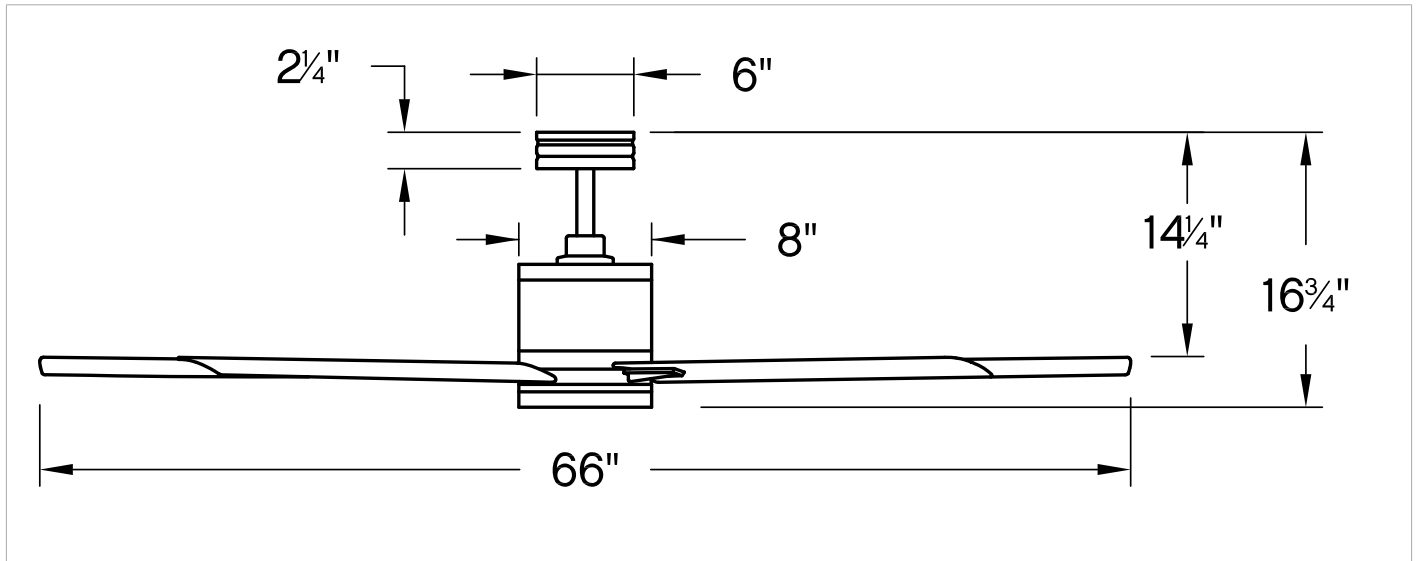
HINKLEY
33000 Pin Oak Parkway
Avon Lake, OH 44012

PHONE: (440) 653-5500
Toll Free: 1 (800) 446-5539

hinkley.com

VANTAGE 66" LED FAN

902466FMB-LWD



PERFORMANCE SPECIFICATIONS	STANDARD	
	HIGH SPEED	AVERAGE SPEED
Airflow	9087	6575
EnergyUse	29.2	18
EnergyCost	8	5
Efficiency	312	356
AMPS	0.41	0.24
RPMS	108	77

AVERAGE PERFORMANCE AND ENERGY INFORMATION

ENERGYGUIDE

Estimated Yearly Energy Cost

\$5

Cost Range of Similar Models (19" – 84")

\$3 | | | \$34

- Based on 12 cents per kWh and 6.4 hours use per day
- Your cost depends on rates and use
- Energy Use: 18 Watts

Airflow

6,575

Cubic Feet Per Minute

- The higher the airflow, the more air the fan will move
- Airflow Efficiency: 356 Cubic Feet Per Minute Per Watt

All estimates based on typical use, excluding lights ftc.gov/energy

Airflow Shown is a Weighted Average of High and Low Cubic Feet per Minute Based on Downrod

HINKLEY

HINKLEY
33000 Pin Oak Parkway
Avon Lake, OH 44012

PHONE: (440) 653-5500
Toll Free: 1 (800) 446-5539

hinkley.com