

SCULPT

903660FMB-LDD

SCULPT 60" LED FAN

DETAILS	
FAN FINISH:	Matte Black
GLASS:	Etched Opal
BLADE COUNT:	3
SLOPE DEGREE:	20

DIMENSIONS	
WIDTH:	60"
HEIGHT:	15"
TOP TO OUTLET:	0

LIGHT SOURCE	
VOLTAGE:	120v

MOUNTING	
CANOPY:	6" Dia.
LEAD WIRE:	1 x 76"



Sculpt defines modern elegance. Its Solid Wood blades are complemented by a clean etched opal glass, seamlessly adding the adequate amount of contemporary character. Sculpt features solid wood blades and is available in Matte Black with Walnut blades or Graphite with Driftwood blades. Sculpt is DAMP rated, making it perfect for both interior and outdoor settings.

PRODUCT DETAILS:

- This item includes a 6" down rod. Other various lengths of down rods are available and sold separately to customize the installation height.
- Suitable for use in damp locations as defined by NEC and CEC. Meets United States UL Underwriters Laboratories & CSA Canadian Standards Association Product Safety Standards
- Meets California Energy Commission 2013 & 2016 Title regulations/JA8
- This item may be hung on a sloped ceiling
- Fan Control included, HIRO Control - 6 Speed Reversing
- LED components carry a 5-year limited warranty
- Motor carries a lifetime warranty
- Blades, controls, switches, capacitors and hardware carry a 1 year warranty

HINKLEY

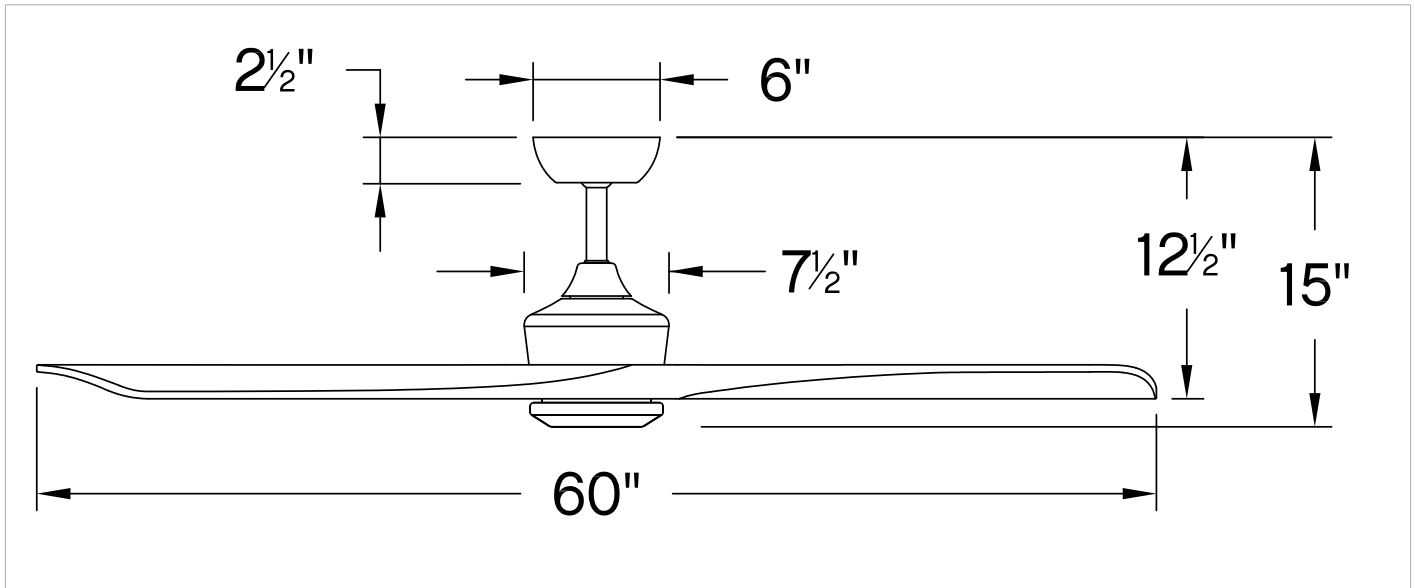
HINKLEY
33000 Pin Oak Parkway
Avon Lake, OH 44012

PHONE: (440) 653-5500
Toll Free: 1 (800) 446-5539

hinkley.com

SCULPT 60" LED FAN

903660FMB-LDD



PERFORMANCE SPECIFICATIONS	STANDARD	
	HIGH SPEED	AVERAGE SPEED
Airflow	8752	6079
EnergyUse	32.4	20
EnergyCost	9	6
Efficiency	270	298
AMPS	0.5	0.29
RPMS	185	119

AVERAGE PERFORMANCE AND ENERGY INFORMATION

ENERGYGUIDE

Estimated Yearly Energy Cost

\$6

\$3
\$34

Cost Range of Similar Models (19" – 84")

- Based on 12 cents per kWh and 6.4 hours use per day
- Your cost depends on rates and use
- Energy Use: 20 Watts

All estimates based on typical use, excluding lights

Airflow

6,079

Cubic Feet Per Minute

- The higher the airflow, the more air the fan will move
- Airflow Efficiency: 115 Cubic Feet Per Minute Per Watt

ftc.gov/energy

Airflow Shown is a Weighted Average of High and Low Cubic Feet per Minute Based on Downrod

HINKLEY

HINKLEY
33000 Pin Oak Parkway
Avon Lake, OH 44012

PHONE: (440) 653-5500
Toll Free: 1 (800) 446-5539

hinkley.com