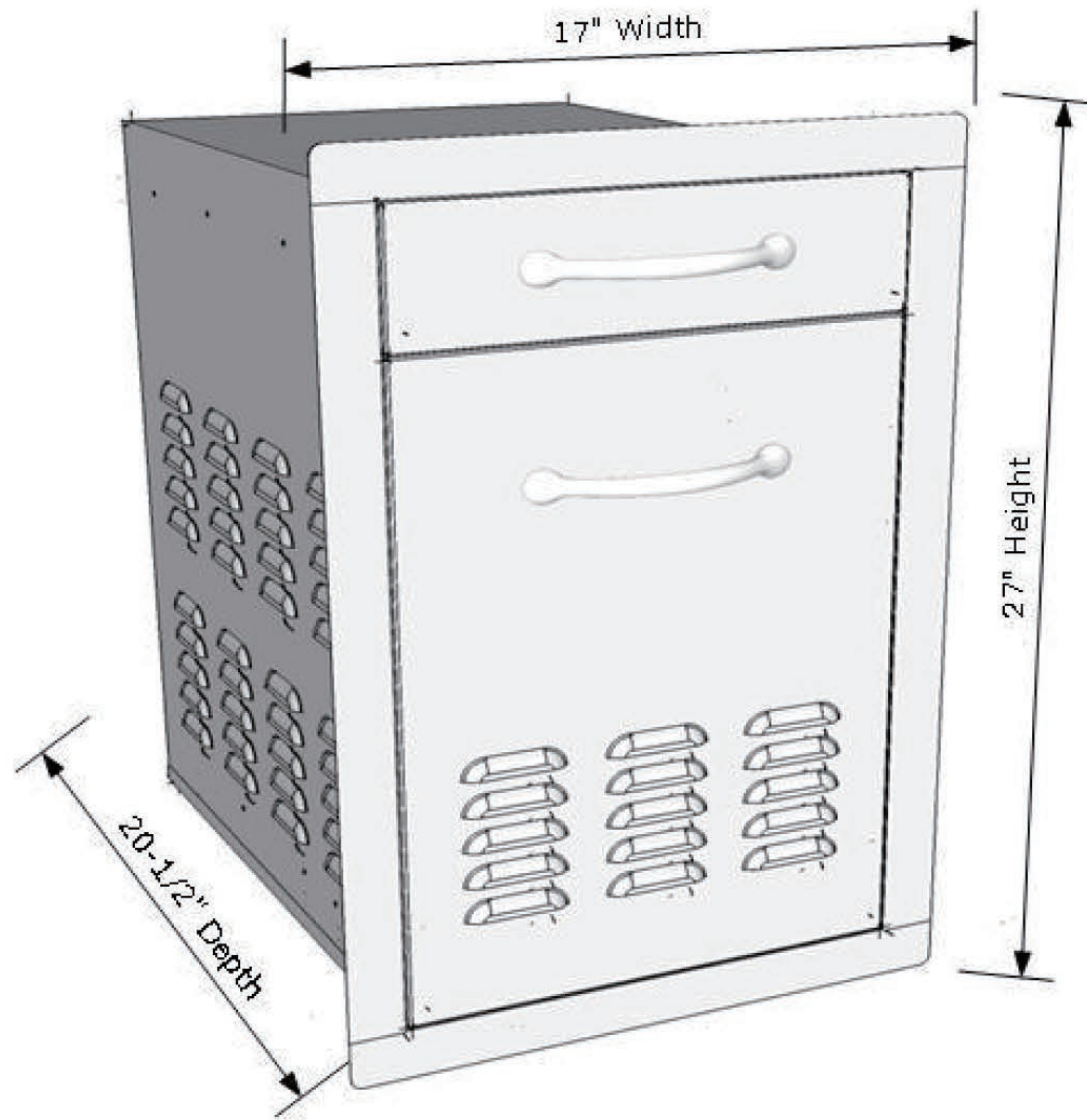
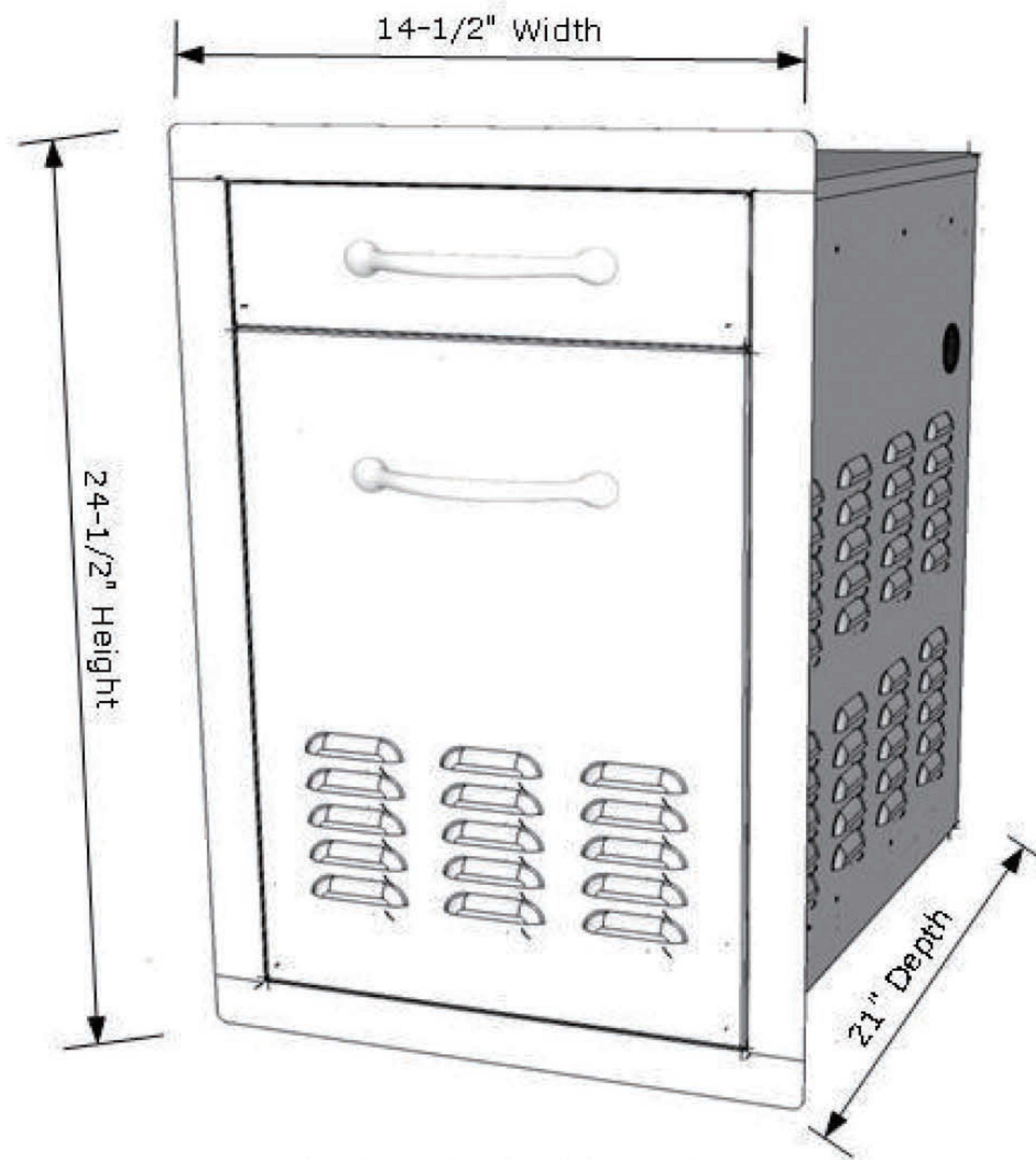


**PRODUCT SIZE**



**CUT-OUT SIZE**



Sunstone Metal Products  
 16004 Central Commerce Dr  
 Pflugerville TX 78665  
 Tel: 888.934.9449  
 Bus: 512.487.5116  
 Fax: 512.487.7016

**PRODUCT**  
 17" Tank Tray Drawer Combo  
 Item No. A-LPCD17

**DESCRIPTION**  
 17" Tank Tray Drawer Combo  
 w/Trash Ring

**SPECIFICATIONS**

17"W x 20-1/5" D x 27" H (Product Size)  
 14-1/2" W x 21" D 24-1/2" H (Cut-out )  
 47 LBS ( Weight )

**Material Specifications:**

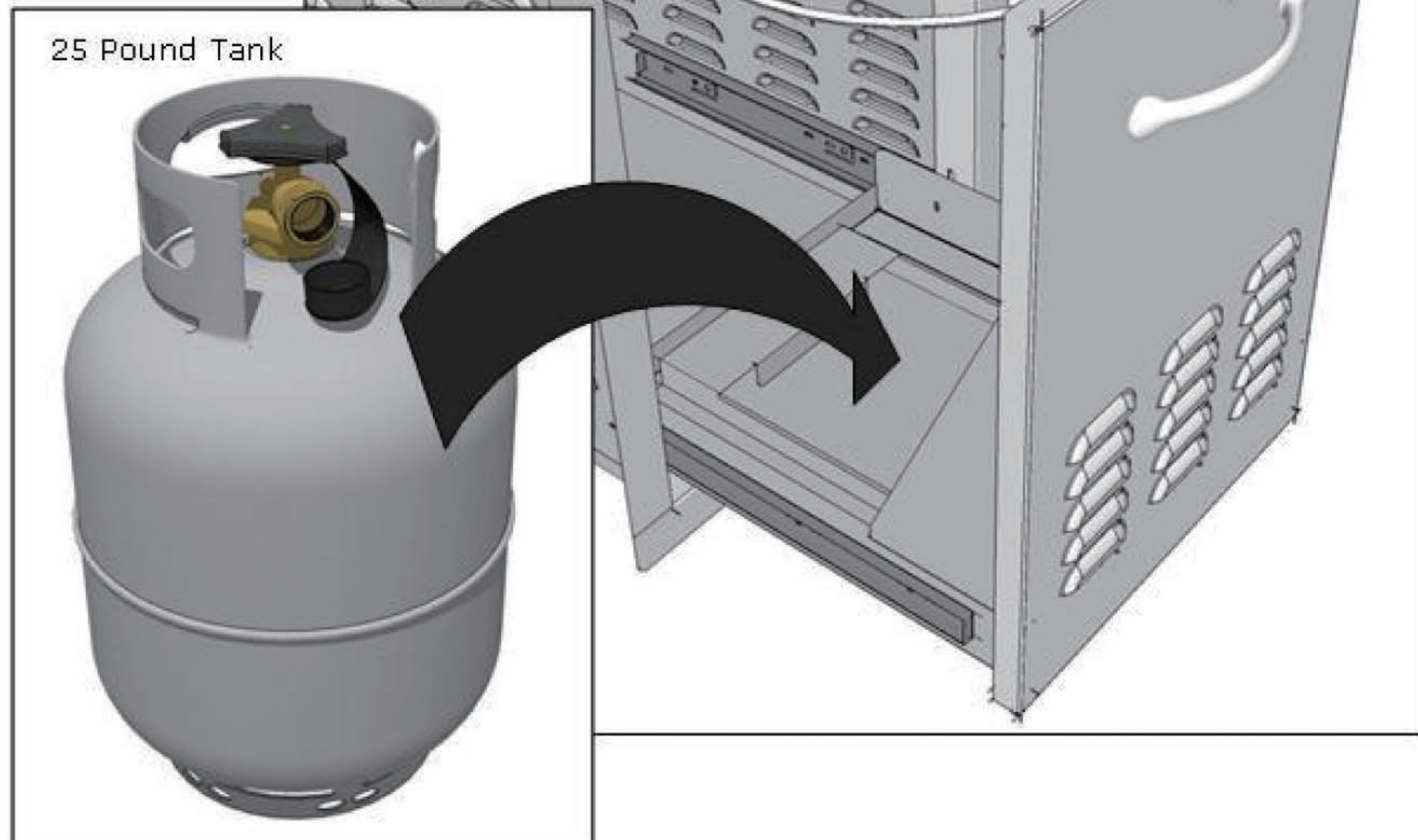
304 Stainless Steel 16 Gauge for  
 Frame 18 Gauge for Door 18 Gauge 20  
 gauge 201 SS for Drawer Box  
 Handles are made of Zinc Alloy  
 Chrome Plated.

ADJUSTABLE TRASH BAG RING

Propane Pull-Out Tray with  
optional Trash Bag ring

Top Utility Drawer

25 Pound Tank



4" Height Drawer

