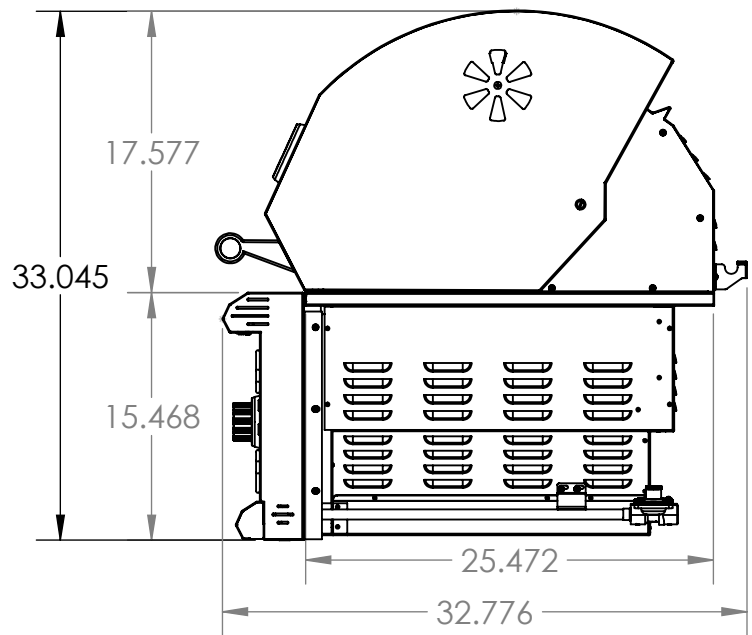
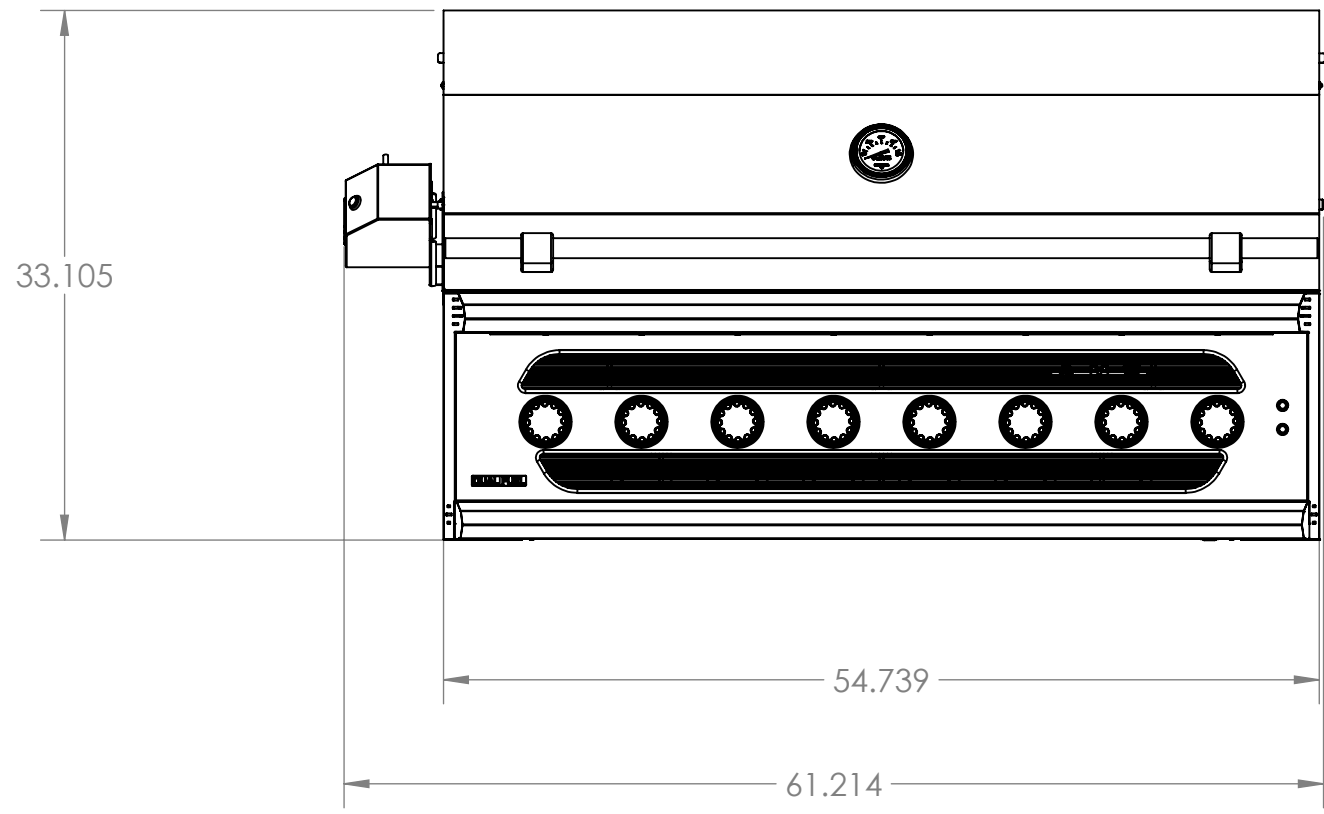
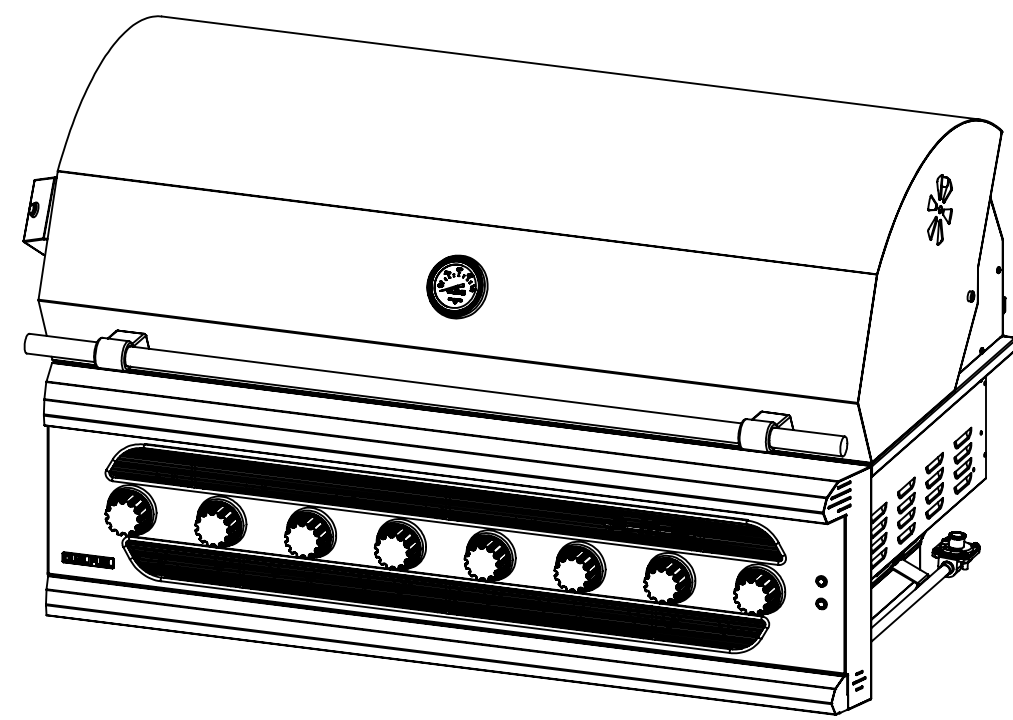
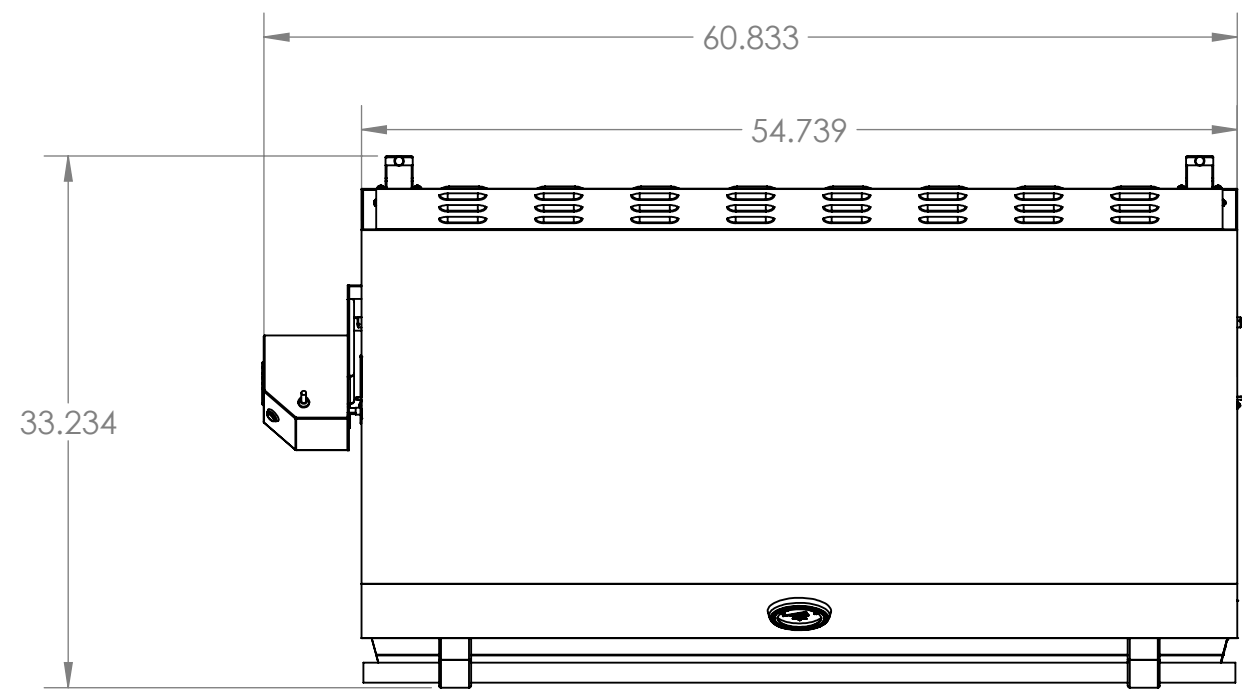


4

3

2

1



B

B

A

A

4

3

2

1

UNLESS OTHERWISE SPECIFIED:

DIMENSIONS ARE IN INCHES
 TOLERANCES:
 FRACTIONAL ±
 ANGULAR: MACH ± BEND ±
 TWO PLACE DECIMAL ±
 THREE PLACE DECIMAL ±

	NAME	DATE
DRAWN	HORTA	8/23/17
CHECKED		
ENG APPR.		
MFG APPR.		
Q.A.		

AMD DIRECT, INC. 17322 Gothard St.
 Huntington Beach, CA 92647

TITLE:
AMG54. BBQ

PROPRIETARY AND CONFIDENTIAL
 THE INFORMATION CONTAINED IN THIS DRAWING IS THE SOLE PROPERTY OF AMD DIRECT, INC. ANY REPRODUCTION IN PART OR AS A WHOLE WITHOUT THE WRITTEN PERMISSION OF AMD DIRECT, INC. IS PROHIBITED.

INTERPRET GEOMETRIC TOLERANCING PER:
 MATERIAL
 FINISH
 DO NOT SCALE DRAWING

COMMENTS:

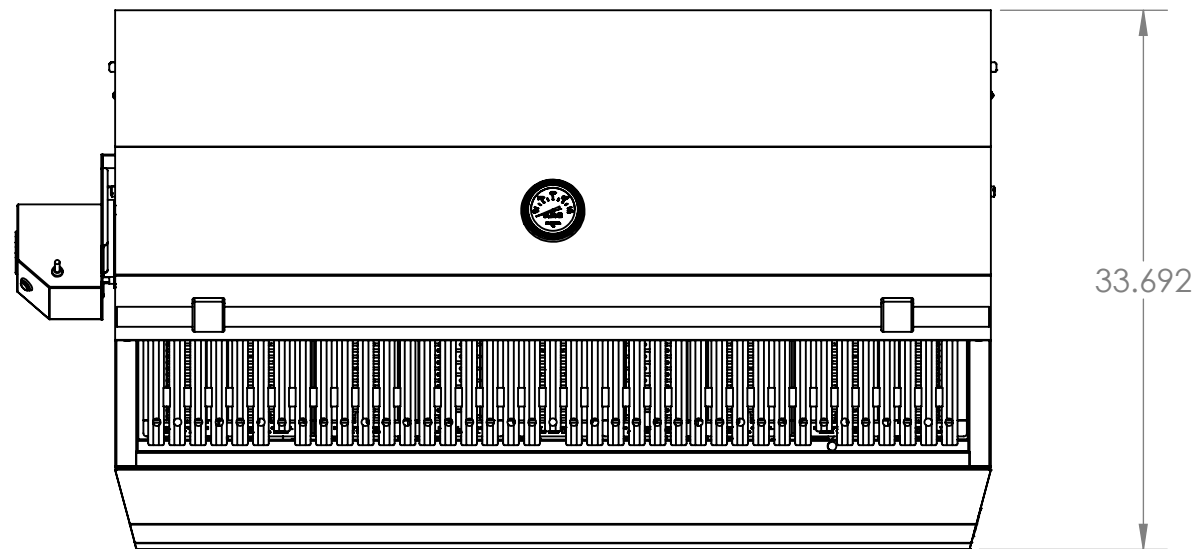
SIZE	DWG. NO.	REV
B	20010_B1_C	C
SCALE: 1:12	WEIGHT:	SHEET 1 OF 1

4

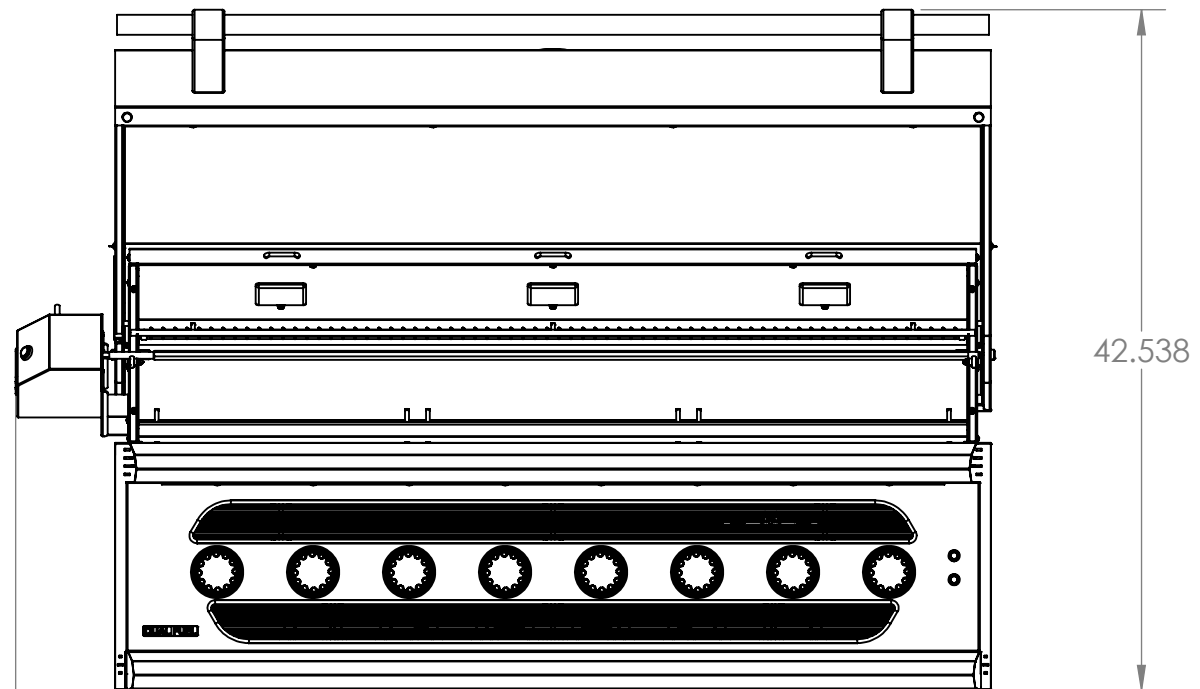
3

2

1



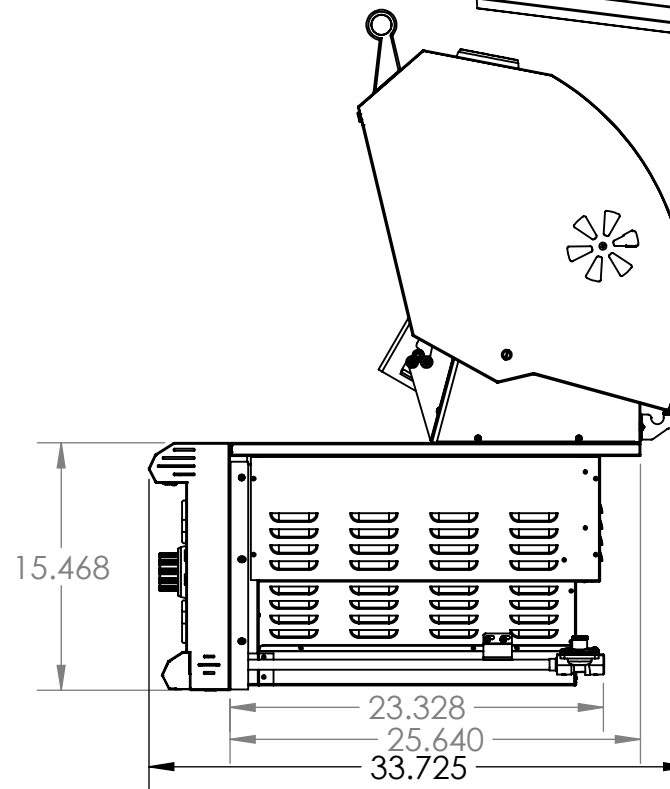
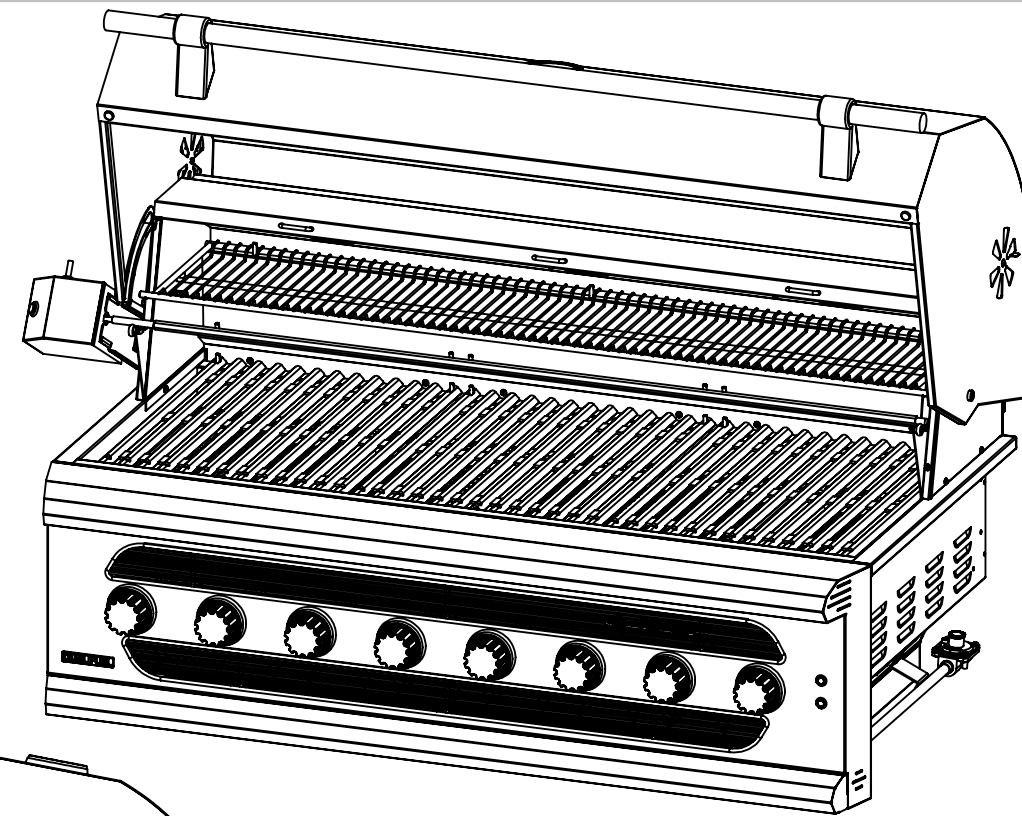
33.692



42.538

54.728

60.959



15.468

23.328

25.640

33.725

UNLESS OTHERWISE SPECIFIED:

DIMENSIONS ARE IN INCHES
 TOLERANCES:
 FRACTIONAL ±
 ANGULAR: MACH ± BEND ±
 TWO PLACE DECIMAL ±
 THREE PLACE DECIMAL ±

	NAME	DATE
DRAWN	HORTA	8/7/17
CHECKED		
ENG APPR.		
MFG APPR.		
Q.A.		
COMMENTS:		

AMD DIRECT, INC. 17322 Gothard St.
 Huntington Beach,
 CA 92647

TITLE:
AMG54. BBQ

PROPRIETARY AND CONFIDENTIAL
 THE INFORMATION CONTAINED IN THIS
 DRAWING IS THE SOLE PROPERTY OF
 AMD DIRECT, INC. ANY
 REPRODUCTION IN PART OR AS A WHOLE
 WITHOUT THE WRITTEN PERMISSION OF
 AMD DIRECT, INC. IS PROHIBITED.

INTERPRET GEOMETRIC
 TOLERANCING PER:
 MATERIAL
 #20 GA. AISI 304
 FINISH

DO NOT SCALE DRAWING

SIZE	DWG. NO.	REV
B	20010_B1	
SCALE: 1;12	WEIGHT:	SHEET 1 OF 1

4

3

2

1

B

B

A

A