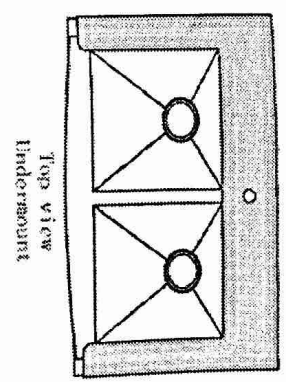
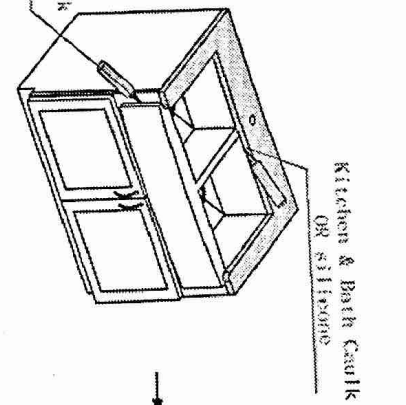
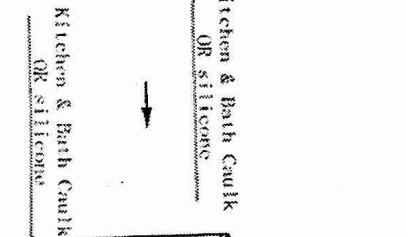
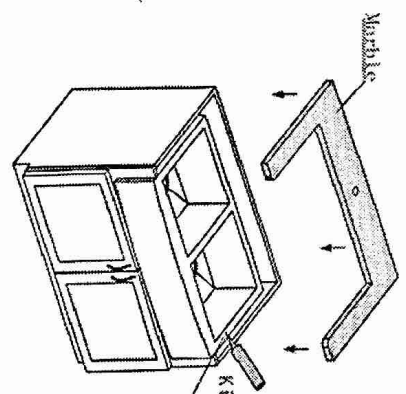
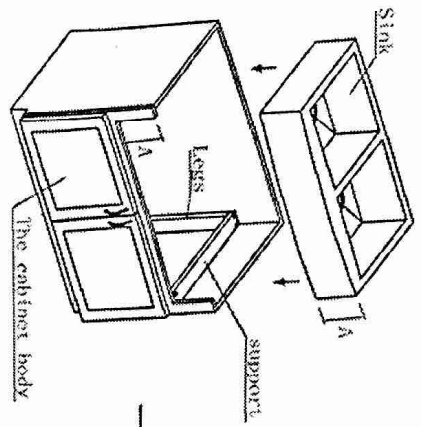
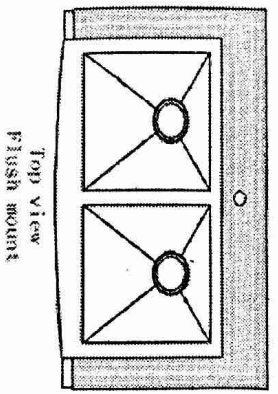
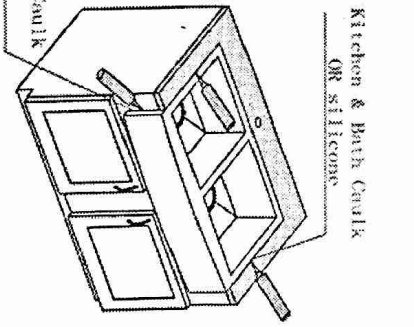
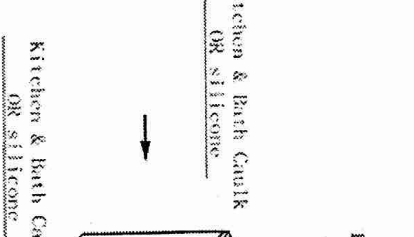
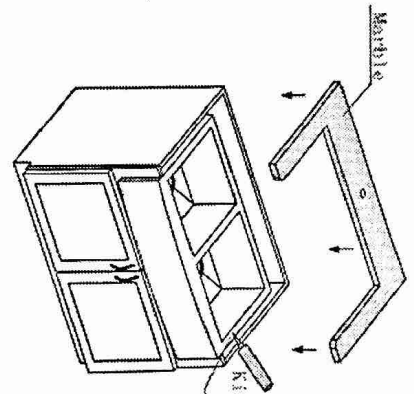
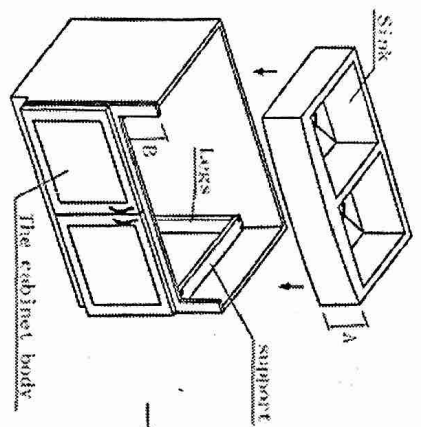


Dimension A = Sink Apron height

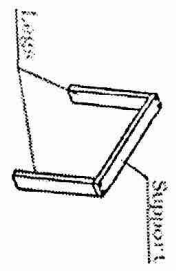


**UNDER-MOUNT INSTALLATION**

Dimension B = Sink Apron height MINUS Stone thickness



**FLUSH-MOUNT INSTALLATION**



INSTALL SUPPORT with LEGS inside the cabinet to set the outside walls of the sink upon. The support must be made using materials of adequate strength to carry the weight of the fully loaded sink. The legs and support must be fastened to the cabinet. FRONT APRON SINKS USUALLY REQUIRE A CUSTOM MADE BASE CABINET. THE OPENING FOR THE SINK ABOVE THE CABINET DOORS MUST ACCOMMODATE THE HEIGHT OF THE FRONT APRON!!! See dimensions "A" OR "B" of the installation guide