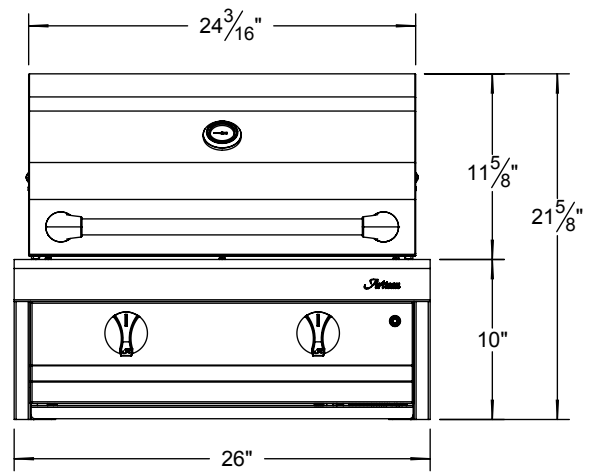
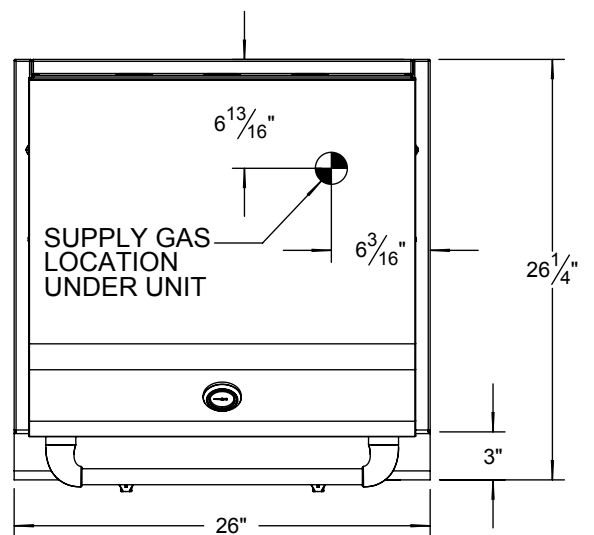
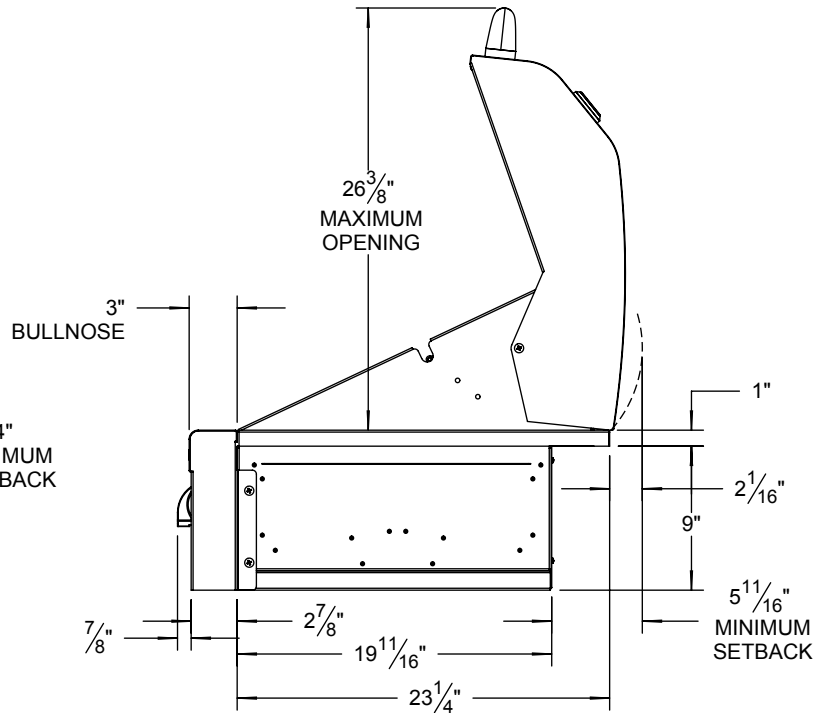
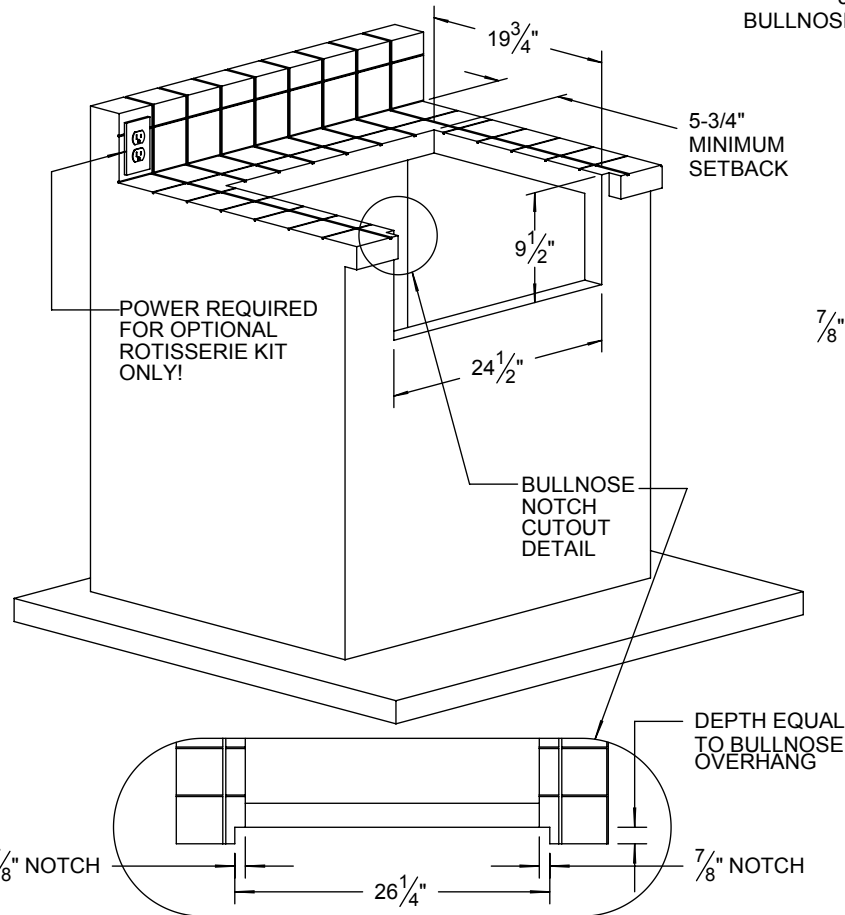


ART-26 UNIT

TYPICAL ART-26 INSTALLATION



COUNTERTOP CUTOUT REQUIREMENTS



SPECIFICATIONS:

- BTUH = 40,000
- FUEL NG @ 5: W.C. / LP @ 10" W.C.
- ELECTRICAL POWER: NONE
- GAS CONNECTION: 1/2" NPT (NG) OR 3/8" ODF (LP)

NOTE:

COUNTER MUST HAVE THE PROPER GAS SUPPLY AND ELECTRICAL POWER FOR YOUR ARTISAN BBQ.