



Ash Vacuum Operator's Manual



[Read and understand this manual before use.](#)

[Keep this manual for future reference.](#)

WARNING: FOR YOUR OWN SAFETY, READ AND UNDERSTAND OPERATOR'S MANUAL. DO NOT RUN UNATTENDED. DO NOT PICK UP HOT ASHES, COALS, TOXIC, FLAMMABLE OR OTHER HAZARDOUS MATERIALS. DO NOT USE AROUND EXPLOSIVE LIQUIDS OR VAPORS.



Intertek
3084514
CONFORMS TO UL
STD. No. 1017
Certified to CSA STD.
C22.2 No.243-10

usstove.com
United States Stove Company
227 Industrial Park Road
South Pittsburg, TN 37380

TABLE OF CONTENTS

SECTION	PAGE
Warranty.....	2
Safety Instructions and Warnings.....	3
Double Insulation Instructions.....	4
Extension Cords.....	4
Getting To Know Your Ash Vacuum.....	5
General Assembly Instructions.....	6
Maintenance and Filter Cleaning.....	7
Machine Labels and Warnings.....	8
Troubleshooting.....	8
Accessories.....	8
Exploded View and Parts List.....	9

WARRANTY

We take pride in producing a high quality, durable product. This product carries a limited two (2) year limited warranty against defects in workmanship and materials from date of purchase under normal household use. If product is to be used for commercial, industrial or rental use, a 90 day limited warranty will apply. Warranty does not apply to defects due to direct or indirect abuse, negligence, misuse, accidents, repairs or alterations and lack of maintenance. Please keep your receipt as proof of purchase. This warranty gives you specific legal rights, and you may have other rights, which vary from state to state or province to province. For product service call Customer Service at 1-800-750-2723.

IMPORTANT! Check that the vacuum cleaner has not been damaged in shipment, and all accessories are included. Read the Operator’s Manual completely before attempting to operate this unit. Save these instructions for your future reference.

SAFETY INSTRUCTIONS & WARNINGS

IMPORTANT SAFETY INSTRUCTIONS

Read and understand all instructions before using this vacuum

Read and understand this manual and all labels on the Ash Vacuum before operating. Safety is a combination of common sense, staying alert and knowing how your vacuum works. Use this Ash Vacuum only as described in this manual. To reduce the risk of personal injury or damage to your Ash Vacuum, use only recommended accessories.

For Household Use Only.

SAVE THIS MANUAL FOR FUTURE REFERENCE.



Do not vacuum up soot.

Only vacuum up ashes of admissible combustibility.

Do not vacuum up hot, burning, or red hot objects (e.g. cigarettes, charcoal, ashes)

The temperature of the vacuuming material must be below 100°F (40°C). If it exceeds 100°F (40°C), there is a risk of fire.

CAUTION: Never use this product for vacuuming liquids. Only use this unit to vacuum dry dust material!

WARNING: TO REDUCE THE RISK OF FIRE, ELECTRIC SHOCK OR INJURY:

- Do not run vac unattended.
- Do not vacuum, or use this Ash Vacuum near flammable liquids, gases, or explosive vapors like gasoline or other fuels, lighter fluids, cleaners, oil-based paints, natural gas, hydrogen, or explosive dusts like coal dust, magnesium dust, grain dust, or gun power. Sparks inside the motor can ignite flammable vapors or dust.
- Do not vacuum anything that is burning or smoking, such as cigarettes, matches, or hot ashes.
- Keep cord away from heated surfaces.
- Do not expose to rain. Store indoors.
- Do not unplug by pulling on cord. To unplug, grasp the plug, not the cord.
- Do not use with damaged cord, plug or other parts.
- If the appliance is not working as it should, has missing parts, has been dropped, damaged, left outdoors, or dropped into water, return it to a service center.
- Do not pull or carry by cord, use cord as handle, close a door on cord, or pull cord around sharp edges or corners.
- Do not run over the cord.
- Do not handle plug or the Ash Vacuum with wet hands.
- To reduce the risk of health hazards from vapors or dusts, do not vacuum toxic materials.
- Do not use or store near hazardous materials.
- Do not use this vacuum with a torn filter or without the filter installed.
- Do not allow to be used as a toy. Close attention is necessary when used by or near children.
- To reduce the risk of injury from accidental starting, unplug power cord before changing or cleaning filter.
- Do not leave the vacuum unattended when plugged in. Unplug from outlet when not in use and before servicing.
- The use of the vacuum can result in foreign objects being blown into the eyes. Always wear safety goggles complying with ANSI Z87.1 (or in Canada CSAZ94.3) when operating vacuum.
- Turn off the Ash Vacuum before unplugging.
- Do not put any object into ventilation openings. Do not vacuum with any ventilation openings blocked; keep free of dust, lint, hair or anything that may reduce air flow.
- Keep hair, loose clothing, fingers, and all parts of body away from openings and moving parts.

ATTENTION: Vacuuming materials, which appear to have cooled down, may still be very hot inside. Hot ash may ignite again with airflow. Wait until the fire is extinguished and the ashes have cooled down before you begin with the cleaning. It is not recommended to quickly extinguish the fire with water. Please make sure that ovens are cold you vacuum to clean ovens. Temperature exceeding 100°F (40°C) may damage the vacuum cleaner and the

components included. Continuously check tubes, ash filter, and vacuum cleaner for excessive temperatures during the vacuum cleaning. If you notice a temperature rise, switch off the vacuum cleaner immediately. Disconnect the vacuum cleaner from the power outlet and remove the filter. Remove the vacuumed material from the ash filter.

CAUTION: In case of excessive temperatures, the tubes, the ash filter, or the vacuum cleaner may be damaged. Completely empty the vacuum cleaner and the ash filter in a safe area after the vacuum cleaning. Let both appliances (vacuum cleaner and ash filter) cool down under supervision.

DOUBLE INSULATION INSTRUCTIONS

This Ash Vacuum is double-insulated, eliminating the need for a separate grounding system. Use only identical replacements parts. Read the instructions for Servicing Double-Insulated Ash Vacuums before servicing. Use this Ash Vacuum as described in this manual.

Observe the following warnings that appear on the motor housing of your Vac.



DOUBLE-INSULATED - GROUNDING NOT REQUIRED - WHEN SERVICING USE ONLY IDENTICAL REPLACEMENT PARTS.

WARNING: TO REDUCE THE RISK OF ELECTRIC SHOCK-DO NOT EXPOSE TO RAIN. STORE INDOORS.

WARNING: FOR YOUR OWN SAFETY, READ AND UNDERSTAND OPERATOR'S MANUAL. DO NOT RUN UNATTENDED. DO NOT PICK UP HOT ASHES, COALS, TOXIC, FLAMMABLE OR OTHER HAZARDOUS MATERIALS. DO NOT USE AROUND EXPLOSIVE LIQUIDS OR VAPORS.

WARNING: SERVICING OF DOUBLE-INSULATED APPLIANCE WITH A DOUBLE-INSULATED VACUUM, TWO SYSTEMS OF INSULATION ARE PROVIDED INSTEAD OF GROUNDING. NO GROUNDING MEANS IS PROVIDED ON A DOUBLE-INSULATED APPLIANCE, NOR SHOULD A MEANS FOR GROUNDING BE ADDED. SERVICING A DOUBLE INSULATED VACUUM REQUIRES EXTREME CARE AND KNOWLEDGE OF THE SYSTEM, AND SHOULD BE DONE ONLY BY QUALIFIED SERVICE PERSONNEL. REPLACEMENT PARTS FOR A DOUBLE-INSULATED VACUUM MUST BE IDENTICAL TO THE PARTS THEY REPLACE. YOUR DOUBLE-INSULATED VACUUM IS MARKED WITH THE WORDS 'DOUBLE INSULATED' AND THE SYMBOL (SQUARE WITHIN A SQUARE) MAY ALSO BE MARKED ON THE APPLIANCE.

- To reduce the risk of electric shock-unplug before cleaning or servicing.
- DO NOT use without filters in place.

CAUTION: TO REDUCE THE RISK OF INJURY FROM MOVING PARTS- UNPLUG BEFORE SERVICING.

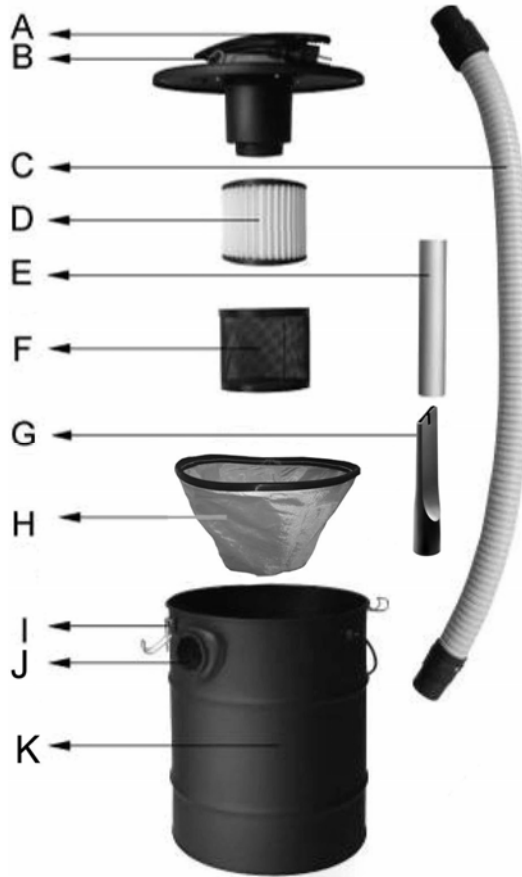
EXTENSION CORDS

When using an extension cord with your Vacuum refer to the following table to determine the required A.W.G. wire size. Before using the Ash Vacuum, make sure the power cord and extension cord are in good working conditions. Make repairs or replacements before using the vacuum cleaner. Only use extension cords that are rated for outdoor use.

	Length of Extension Cord			
	25 Feet 7.5 Meters	50 Feet 15.25 Meters	100 Feet 30.5 Meters	150 Feet 45.7 Meters
110V-120V				
Amps	A.W.G Wire Size			
0-6	18	16	16	14
7-10	18	16	14	12
11-12	16	16	14	12
13-16	14	12	Not recommended	

GETTING TO KNOW YOUR ASH VACUUM

- A. Handle
- B. Power switch
- C. Flexible aluminum hose
- D. Cartridge filter
- E. Metal nozzle
- F. Filter cage
- G. Crevice Tool
- H. Pre-filter
- I. Latches
- I. Vacuum port
- J. Container

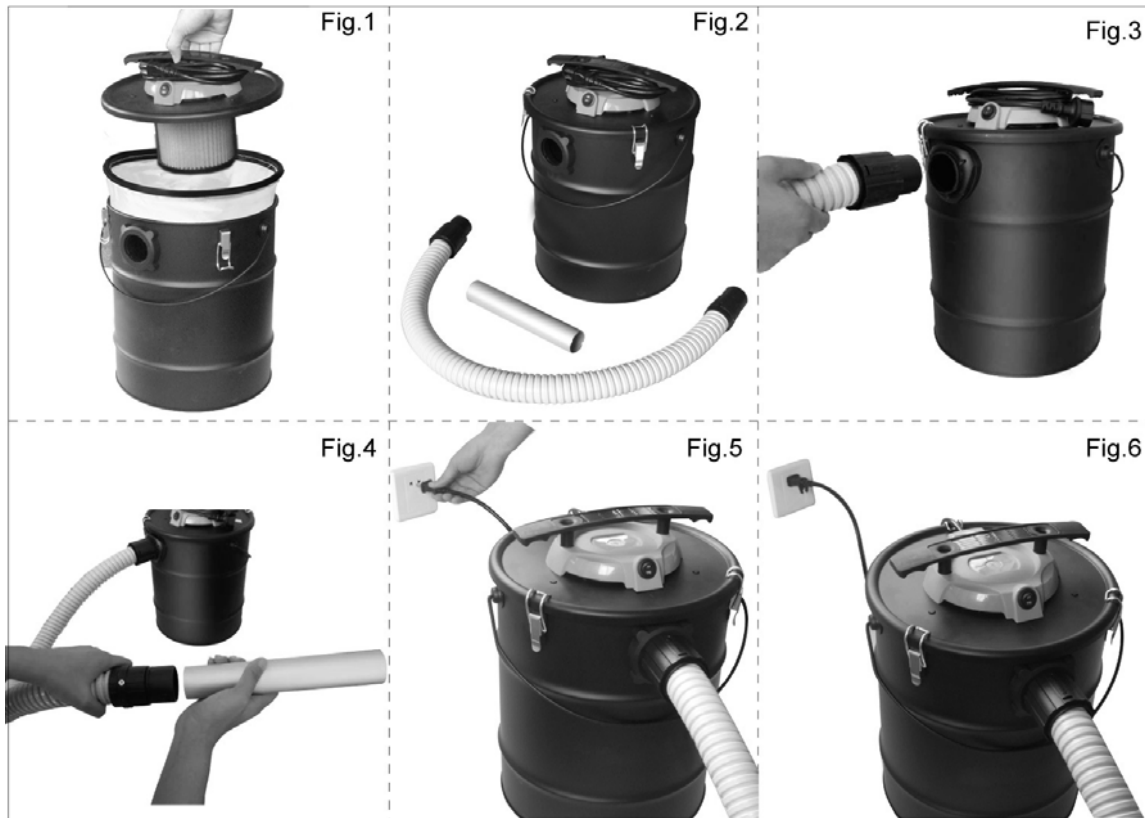


Power cord wrap




Hose Organization

GENERAL ASSEMBLY INSTRUCTIONS



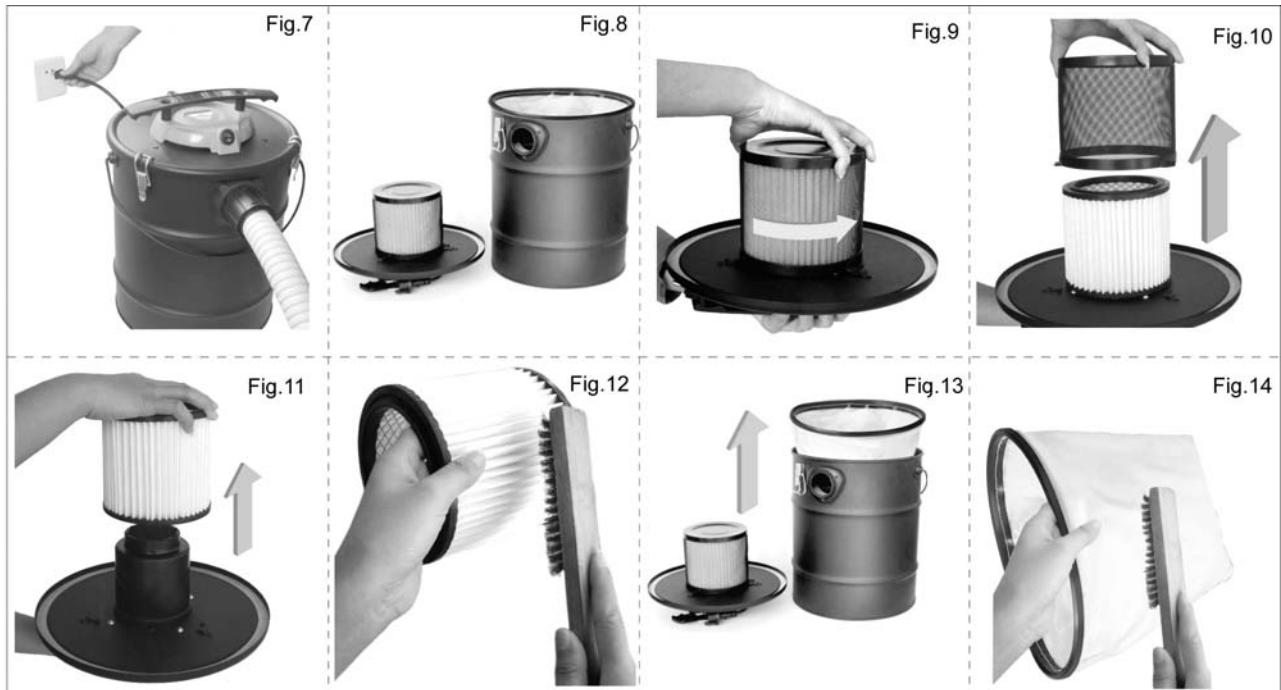
1. Remove the Ash Vacuum out of the package.
2. Unlock the latches and remove the power head lid. (Fig. 1)
3. Remove the contents from inside the container and make sure you have all the parts listed on page 5.
4. Place pre-filter over the tank as previously installed. Replace the power head lid on the container and secure the lid with the latches. (Fig. 2)
5. Insert the locking end of the hose onto the vacuum port. (Fig. 3)
6. Insert the metal intake nozzle into the other end of the hose. (Fig. 4)
7. Connect electric cable and turn the vacuum cleaner power switch on. (Fig. 5 & 6)
8. Run the unit for 30 seconds after you have finished cleaning your stove or fireplace to ensure all materials are safely captured in the container.

POLARIZED PLUG

To reduce the risk of electrical shock, this appliance has a double polarized plug (one with the blade wider than the other). This plug will fit in a polarized outlet only one way. If the plug does not fit fully in the outlet, reverse the plug. If it still does not fit, contact a qualified electrician to install the proper outlet. Do not change the plug in any way. Double insulation  eliminates the need for the three wire grounded power cord and grounded power supply system.

WARNING: BE SURE TO READ, UNDERSTAND, AND APPLY INFORMATION, ENTITLED 'SAFETY INSTRUCTIONS & WARNINGS'. DO NOT VACUUM IN AREAS WITH FLAMMABLE GASES, VAPORS, OR EXPLOSIVE DUSTS IN THE AIR. FLAMMABLE GASES OR VAPORS INCLUDE BUT ARE NOT LIMITED TO; LIGHTER FLUID, SOLVENT TYPE CLEANERS, OIL-BASE PAINTS, GASOLINE, ALCOHOL OR AEROSOL SPRAYS. EXPLOSIVE DUSTS INCLUDE BUT ARE NOT LIMITED TO; COAL, MAGNESIUM, GRAIN OR GUN POWDER. TO REDUCE THE RISK OF HEALTH HAZARDS FROM VAPORS OR DUST, DO NOT VACUUM TOXIC MATERIALS.

MAINTENANCE & FILTER CLEANING

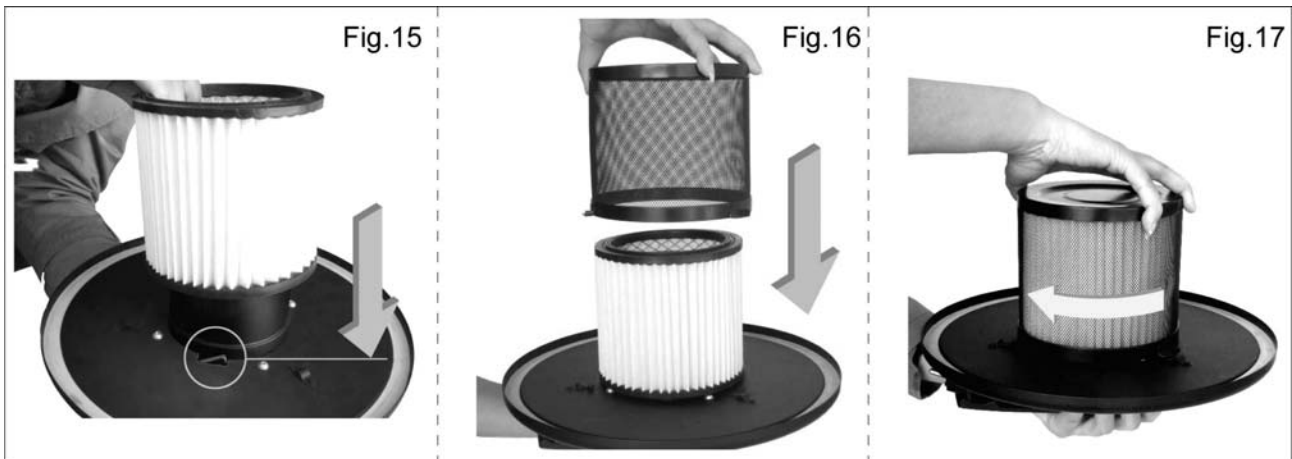


WARNING: ALWAYS DISCONNECT THE PLUG FROM THE POWER OUTLET BEFORE REMOVING THE POWER HEAD FROM CONTAINER.

REMOVING AND CLEANING THE FILTER

1. Verify that the power cord is disconnected from the outlet. (Fig. 7)
2. Remove lid and power head and place in upside down position. (Fig. 8)
3. Unlock and remove the filter cage from the cage lock-clamps by turning cage counter-clockwise. (Fig. 9 & 10)
4. Carefully remove the cartridge filter. (Fig. 11)
5. Clean the cartridge filter by gently tapping or brushing dirt off. (Fig. 12)
6. Carefully remove the pre-filter from over the tank and clean the ash or dirt from the filter by gently tapping or brushing the ash or dirt off. (Fig. 13 & 14)

IMPORTANT! CLEANING SHOULD NOT BE DONE INDOORS IN LIVING AREAS. FOR OPTIMAL PERFORMANCE A NEW FILTER IS RECOMMENDED.



FILTER INSTALLATION

1. Install the cartridge filter do that it is flush with the vacuum power head lid. Make sure that the cartridge filter is pushed in until it stops against the power head and presses the switch down. (Fig.15) Ensure that the cartridge filter is pressed against the switch.
2. Place filter cage over the cartridge filter and align the lock tabs. Turn the cage clockwise to lock into place, do not over tighten. (Fig.16 &17)

MACHINE LABELS AND WARNINGS



Before using, read this manual carefully and make sure you have understood all the warnings, instructions and controls.



To reduce the risk of electrical shock, do not use in rain. Store indoors.

2X Filtration

TROUBLESHOOTING

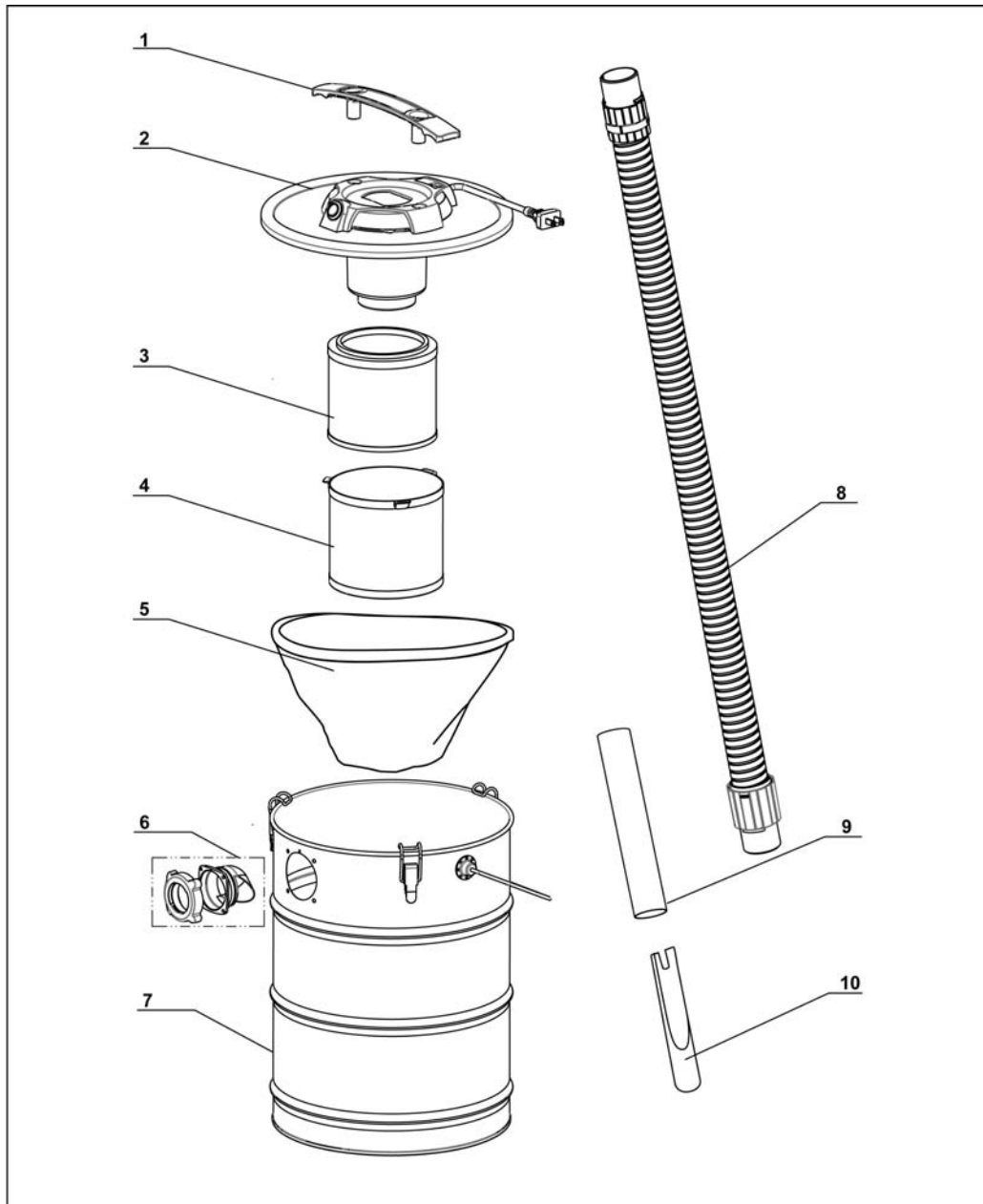
WARNING: TO REDUCE THE RISK OF ELECTRIC SHOCK-UNPLUG BEFORE TROUBLESHOOTING

Symptom	Possible Causes	Corrective Action
Vacuum will not operate.	1) Lack of power.	1) Check power supply – cord, breakers, fuses.
	2) The filter is not installed correctly onto the micro-switch	2) Check the filter assembly and make sure it is against the switch.
	3) Container full.	3) Empty container and clean or replace filters.
Dust comes out from motor cover.	1) The cartridge filter is damaged or installed incorrectly.	1) Replace cartridge filter.
Reduced efficiency and motor/speed vibration.	1) There is a blockage in the hose, or the container inlet. The cartridge filter is clogged by fine dust.	1) Check hose and container inlets for blockage. Take off the filter and clean it. Or install a new cartridge filter.

ACCESSORIES

Only use manufacturer approved accessories and spare parts. The use of original accessories and original spare parts ensures that the appliance can be operated safely and trouble free.

EXPLODED VIEW AND PARTS LIST



Ash Vac Manual Parts List

Key Number	Drawing Number	Description	Quantity	Key Number	Drawing Number	Description	Quantity
1	ZB01S0.10.03	Handle	1	6	ZB01S0.A0.02	Vacuum Port Assembly	1
2	ZB20S0.10.00	Power Head Assembly	1	7	ZB02S0.10.00	Tank	1
3	FV9543.01.01	Cartridge Filter	1	8	FV9521.50.00	Flexible Aluminum Hose	1
4	FV9522.20.00	Filter Cage	1	9	FV9521.00.02	Metal Nozzle	1
5	FV9571.01.00	Ash Vac Pre-Filter	1	10	FV5771.01.02	Crevice Tool	1



Please arrange for the proper disposal of the packaging

The packaging material can be recycled. Please do not place the packaging into ordinary trash for disposal. Please arrange for the proper recycling.

Please arrange for the proper disposal of the old appliance.

Old appliances contain valuable materials that can be recycled. Please arrange for the proper recycling of the old appliances. Batteries, oil and similar substances must not enter the environment. Please dispose of your old appliances using appropriate collection systems.