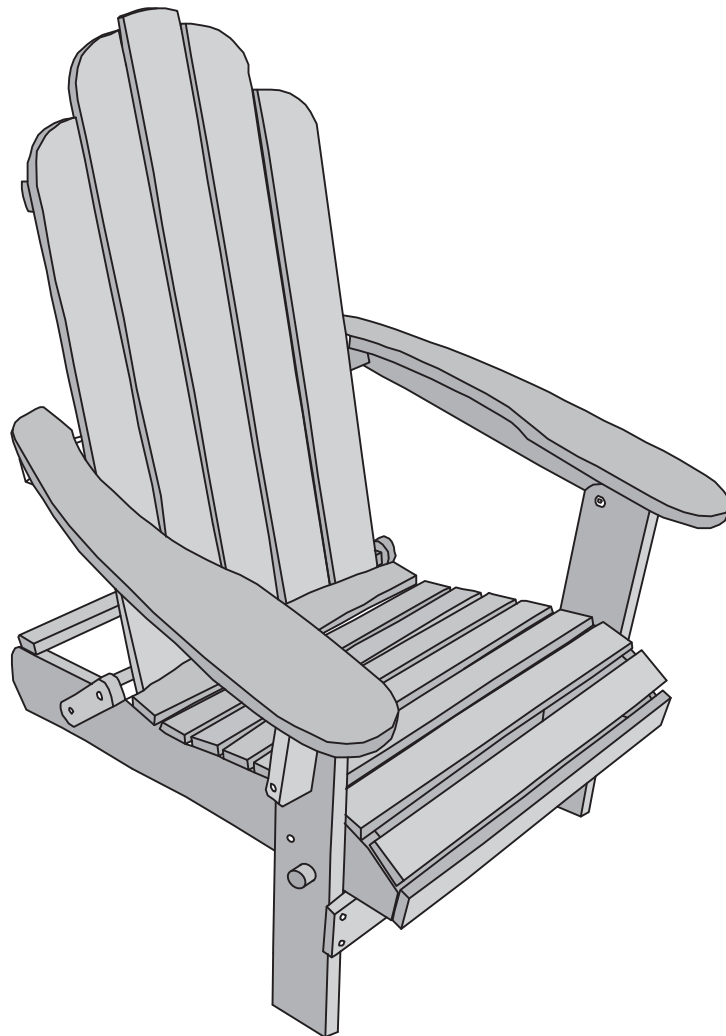


W Walker[®]
Edison
furniture company

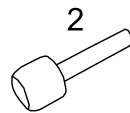
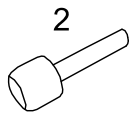
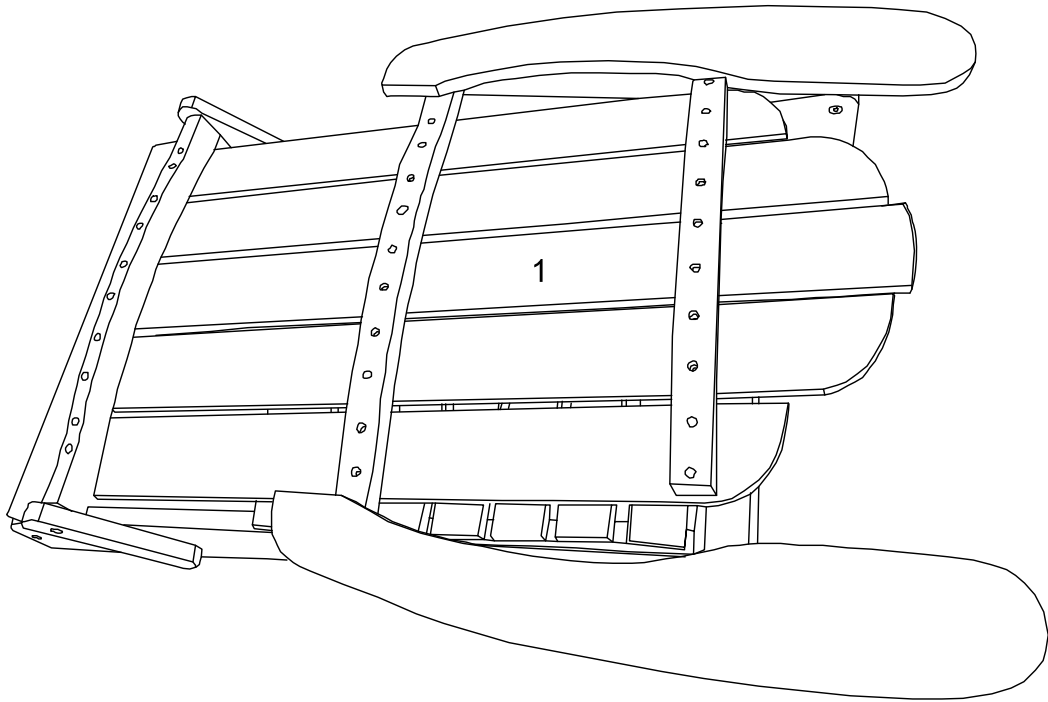
Item # : OWAC
Assembly Instructions



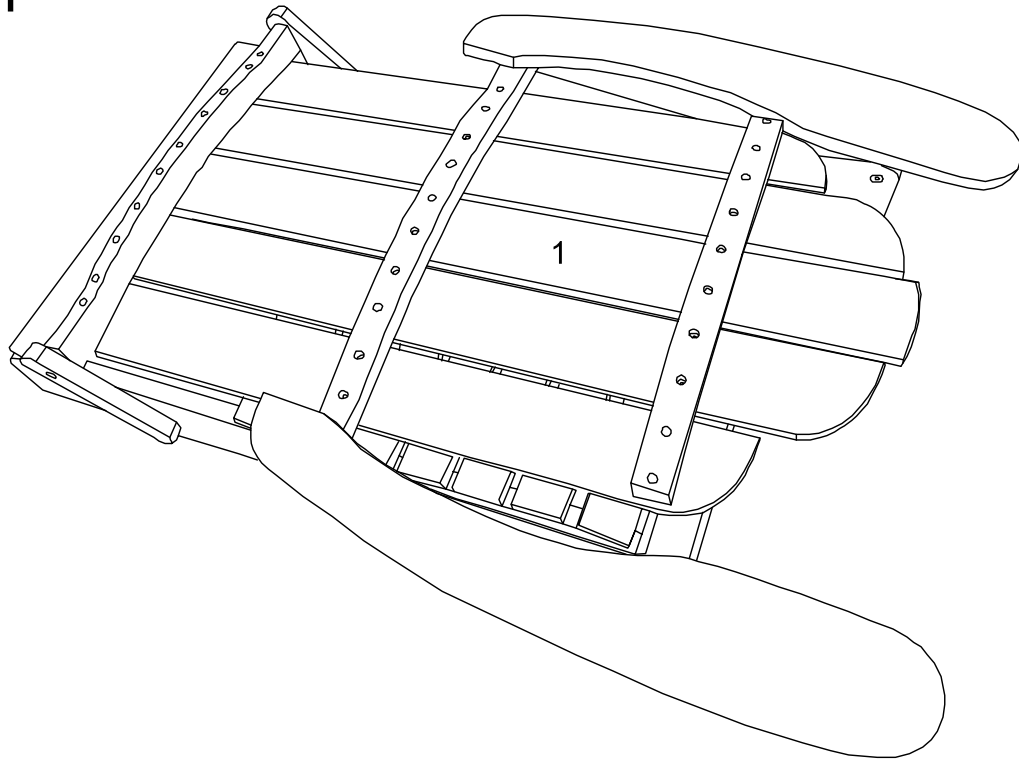
*To request missing, lost or broken parts , or for any other customer service issues,
please visit our website at www.walkeredison.com or call us at 877-207-5906.*

Revised 01/2017

Parts List

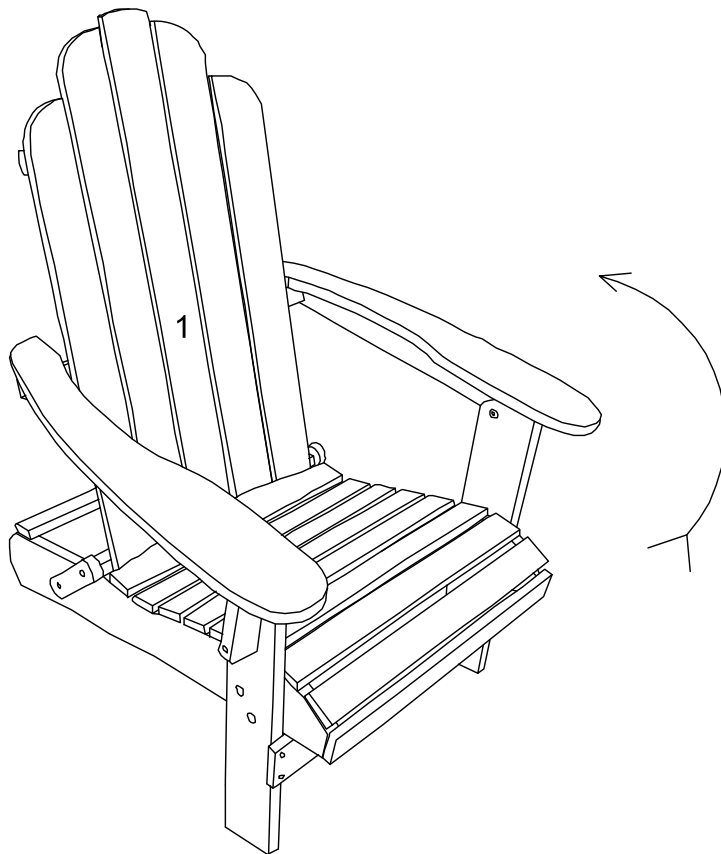


Step 1



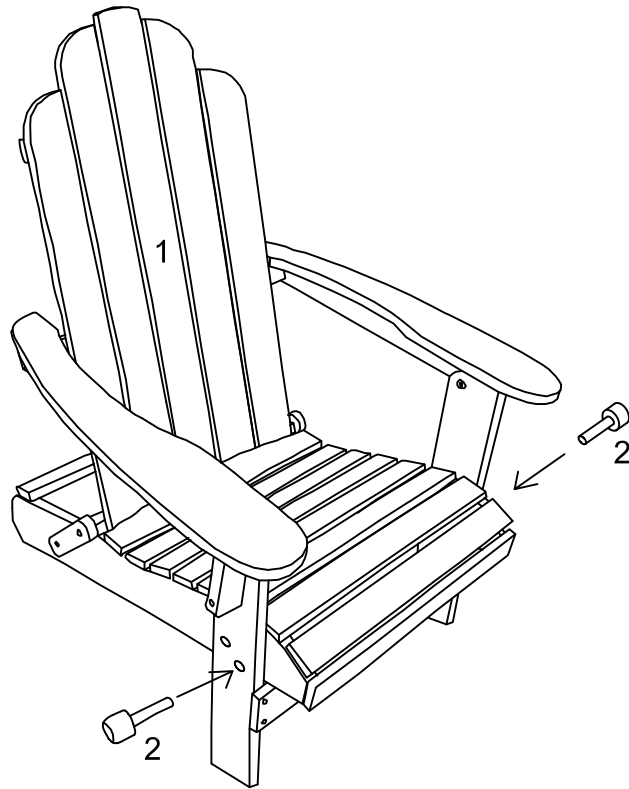
Chair will come already folded. Please carefully take off all the packing materials.

Step 2



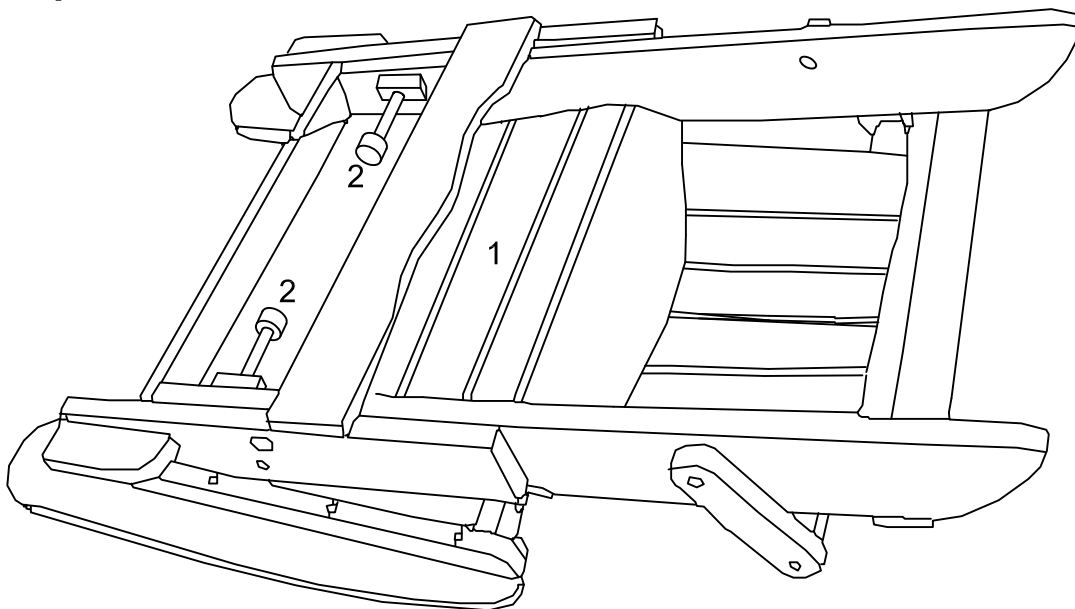
Carefully and slowly pull the chair up in the direction marked, placing your hands on the seat and back area.

Step 3



Once Seat is fully pulled into upright position, place the wooden SAFETY PEG into the required holes.
IMPORTANT! KEEP SAFETY PEGS IN PLACE WHEN CHAIR IS IN USE.

Step 4



Chair can be folded for storage. Remove two pegs from front legs, fold chair closed, insert pegs inside of legs (under seat) to help hold chair in closed position.

Final Assembly