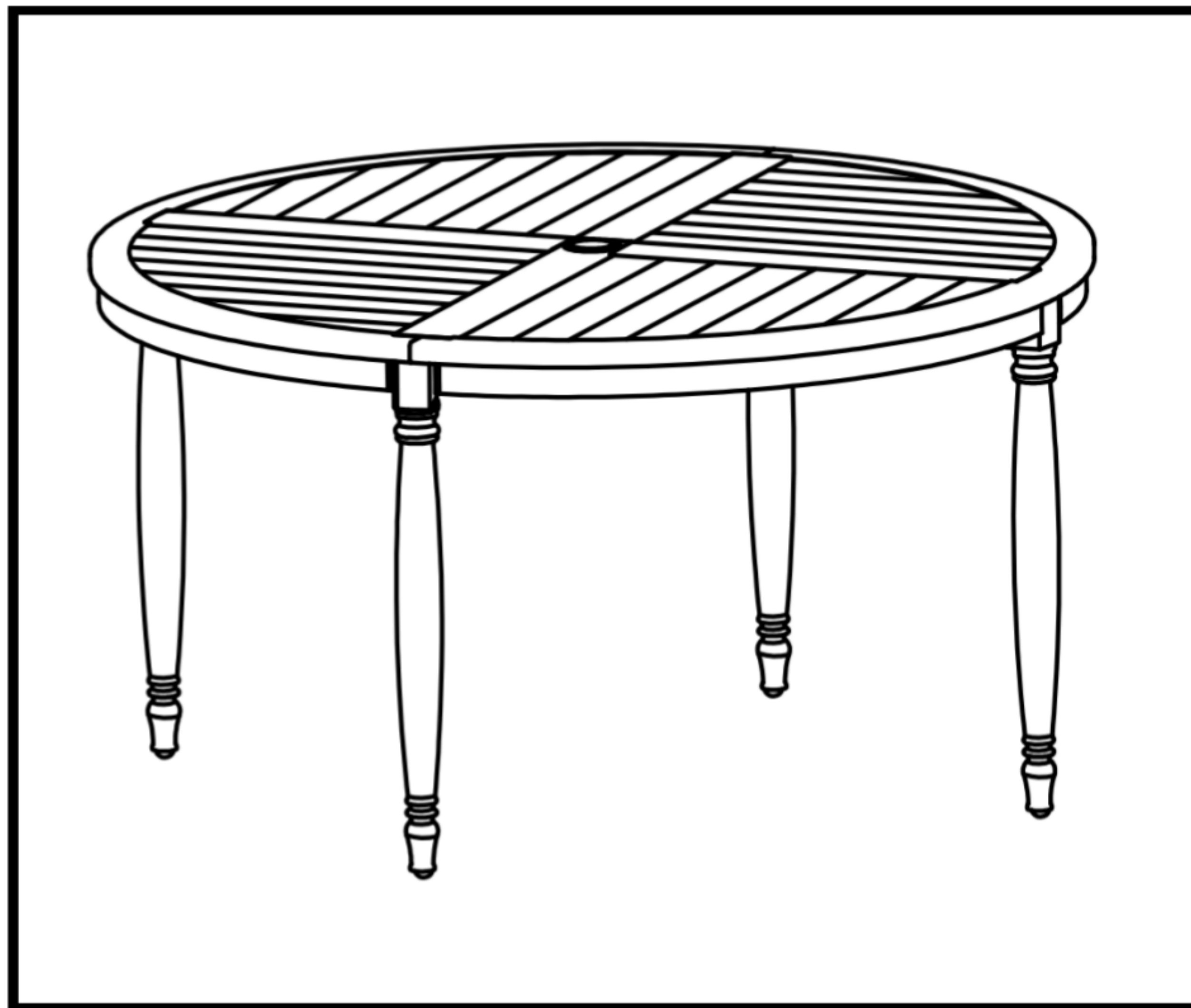




## Arabella Aluminum 48-Inch Round Dining Table W/Slat Top



Customer Service

[CustomerService@ShoppersChoice.com](mailto:CustomerService@ShoppersChoice.com)

Monday-Friday 7-9, Sat. 9-3, Sun. 12-6 CST

Toll Free: 1-877-743-2269

[www.ShoppersChoice.com](http://www.ShoppersChoice.com)

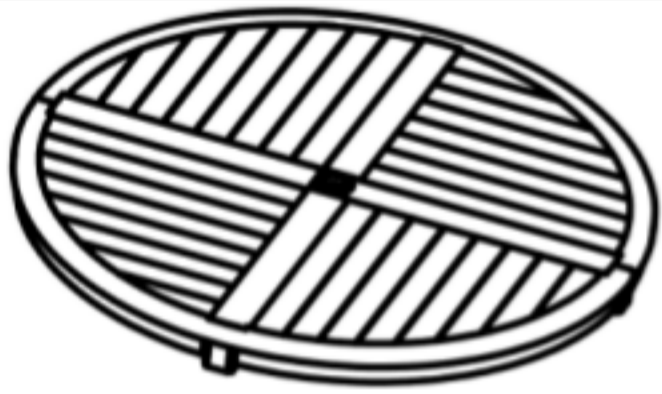


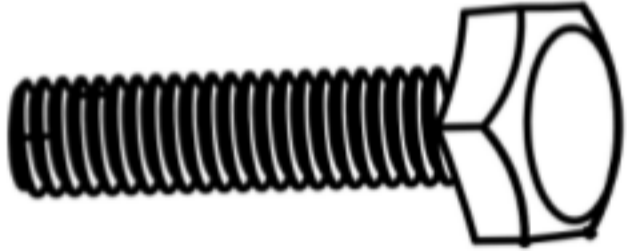


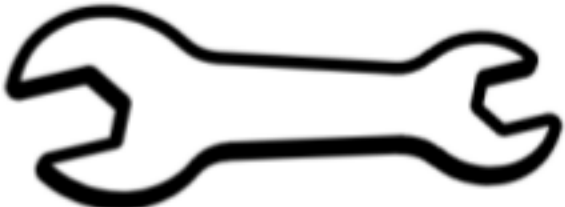
## WARNING

Please read instructions carefully and thoroughly before assembling. Check parts against the parts list to make sure you have all the parts needed for proper assembly. Familiarize yourself with the inventory of parts and the accompanying illustrations to ensure safe and proper assembly.

**DO NOT ATTEMPT TO ASSEMBLE IF PARTS ARE MISSING OR DAMAGED. IMPROPER ASSEMBLY MAY RESULT IN DAMAGE OR SERIOUS INJURY .**

To assemble, place the table on a non-abrasive flat surface to prevent scratching.

## PARTS LIST

<b>PART</b>	<b>DESCRIPTION</b>	<b>PICTURE</b>	<b>QTY</b>
A	<b>Table top</b>		1
B	<b>Table leg</b>		4
C	<b>Bolt cover</b>		12
D	<b>Bolt(M6X25)</b>		12
E	<b>Lock washer</b>		12
F	<b>Flat washer</b>		12
G	<b>Wrench</b>		1

**1** Loosely attach the table legs (B) to the table top (A) with bolts (D) through lock washers (E) and flat washers (F). Check to make sure the table legs (B) are aligned properly. Once aligned, securely tighten the bolts (D) with wrench (G). (Figure 1)

Figure 1

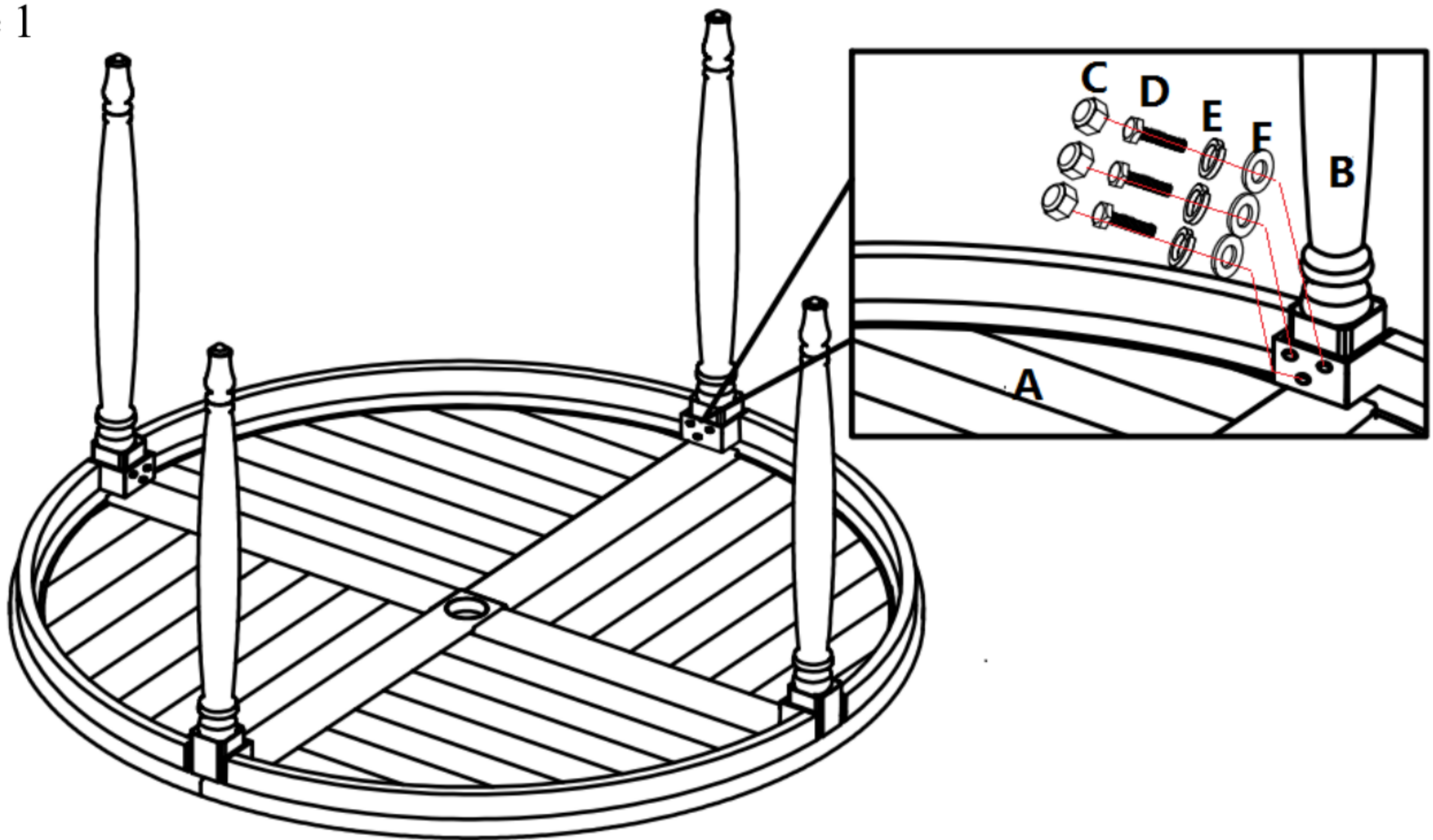


Figure2

**2** With the help of another person, carefully turn the table to the upright position cover all bolts (D) with bolt covers (C).

The table is ready for your enjoyment.  
(Figure2)

