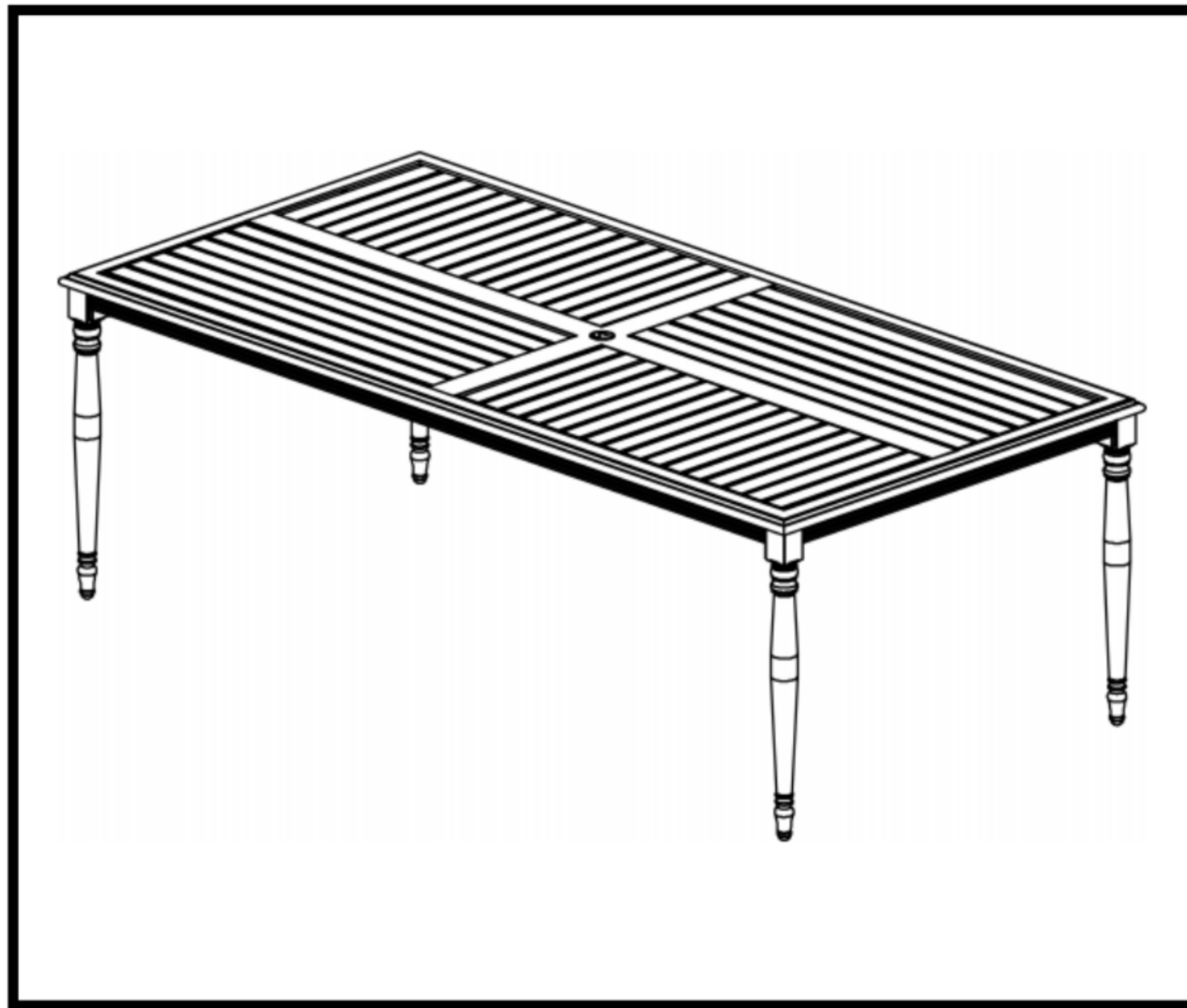




**Arabella Aluminum 78×42 Inch
Rectangular Dining Table W/ Slat Top**



Customer Service

CustomerService@ShoppersChoice.com

Monday-Friday 7-9, Sat. 9-3, Sun. 12-6 CST

Toll Free: 1-877-743-2269

www.ShoppersChoice.com

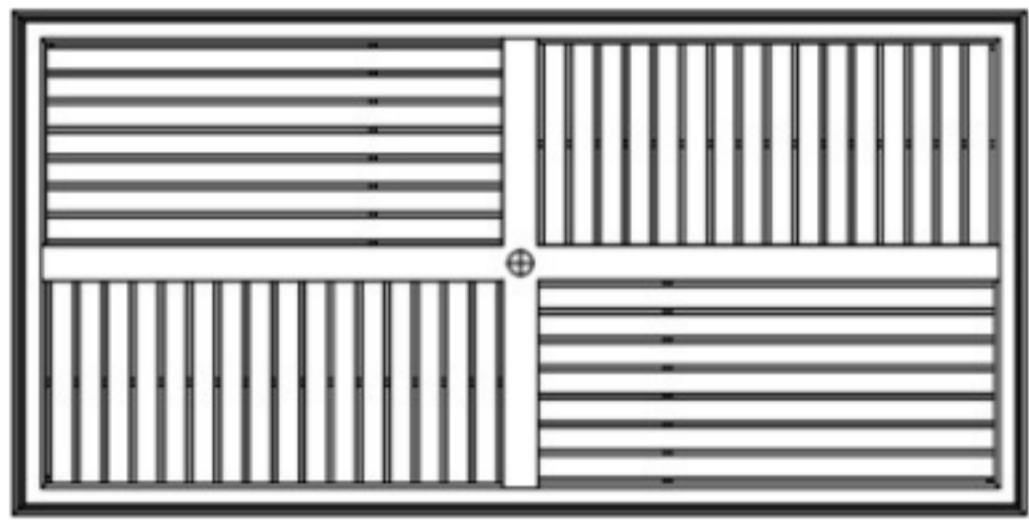
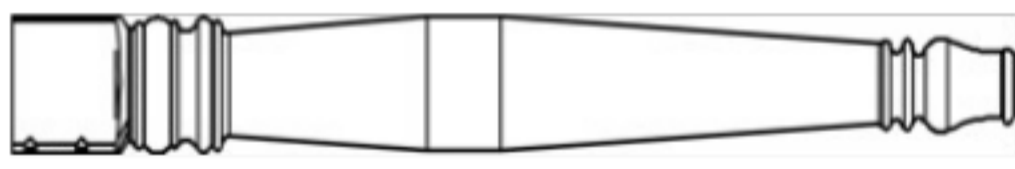
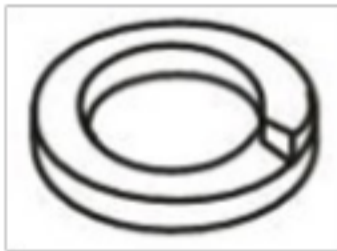

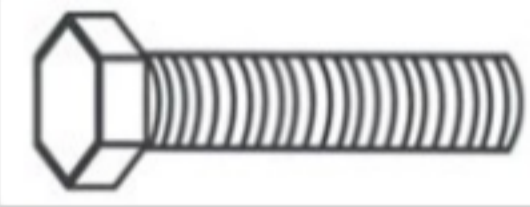
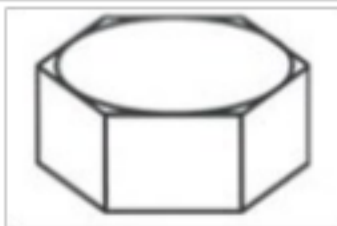
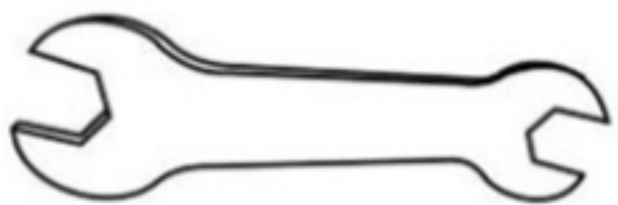
WARNING

Please read instructions carefully and thoroughly before assembling. Check parts against the parts list to make sure you have all the parts needed for proper assembly. Familiarize yourself with the inventory of parts and the accompanying illustrations to ensure safe and proper assembly.

DO NOT ATTEMPT TO ASSEMBLE IF PARTS ARE MISSING OR DAMAGED. IMPROPER ASSEMBLY MAY RESULT IN DAMAGE OR SERIOUS INJURY .

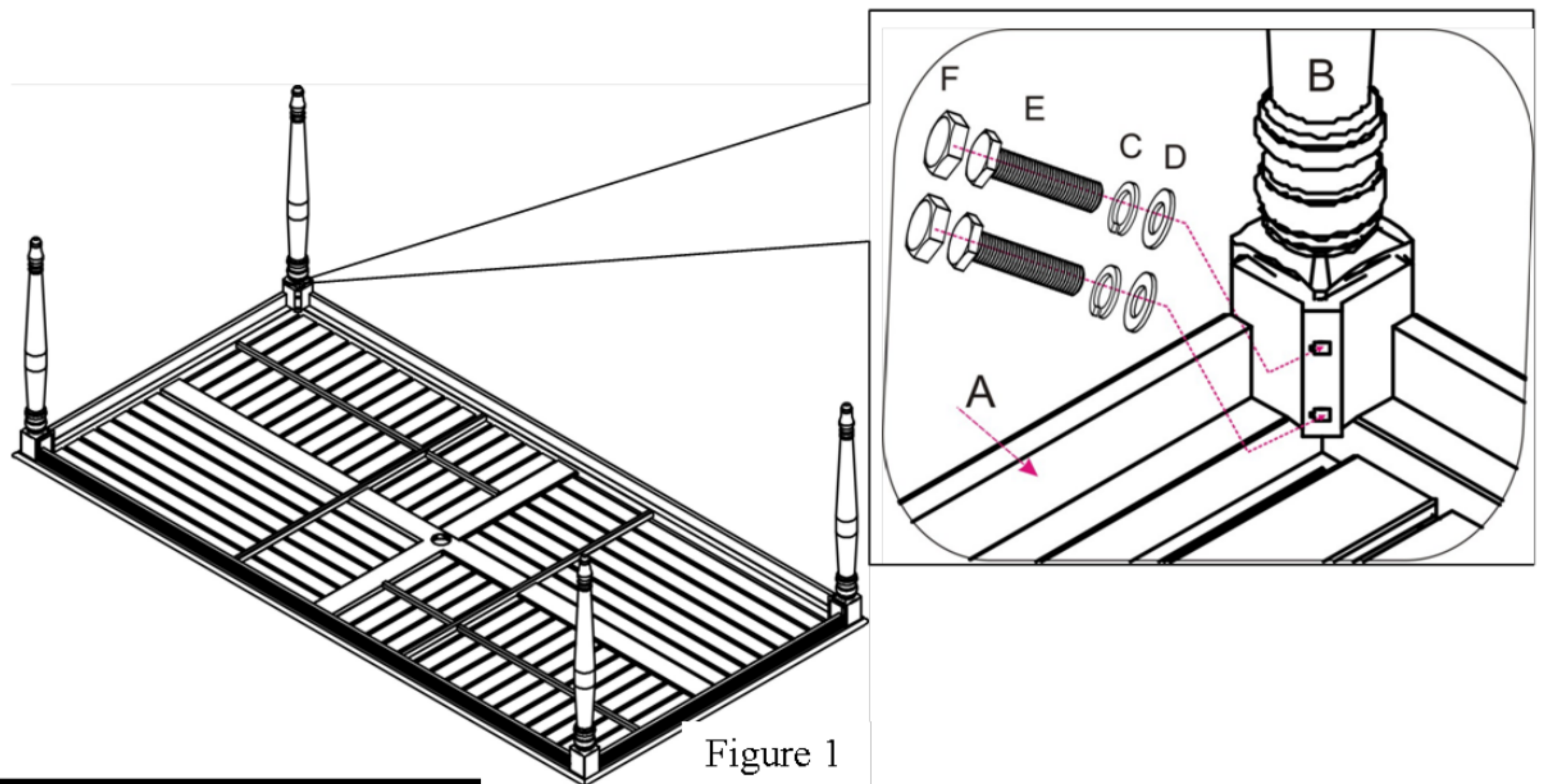
To assemble, place the table on a non-abrasive flat surface to prevent scratching.

PARTS LIST

PART	DESCRIPTION	PICTURE	QTY
A	Table top		1
B	Table leg		4
C	Lock washer		8
D	Flat washer		8
E	Bolt (5/16×1.18")		8
F	Bolt cover		8
G	Wrench		1

- 1 Carefully turn the table top (A) upside down on a soft, non-abrasive surface. Remove the bolts (E) and washers (C&D) from the table legs (B). Loosely attach the legs (B) to the table top (A) with bolts (E) through lock washers (C) and flat washers (D). Check to make sure the table legs (B) are aligned properly. Once aligned, securely tighten the bolts (E) with wrench (G).

(Figure 1)



- 2 With the help of another person, carefully turn the table to the upright position. Cover all bolts (E) with bolt covers (F).

The table is ready for your enjoyment.

(Figure 2)

