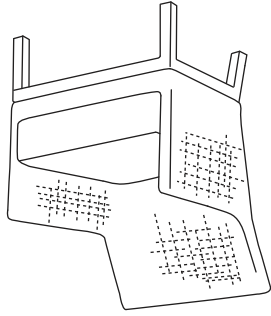


ITEM - TWVGR -
ARGENTO
ARGENTO WOVEN CLUB CHAIR



OXFORD GARDEN

About Materials

Resin wicker is made of synthetic polyethylene material. Unlike its alternative, natural wicker, resin wicker is durable and elastic, providing a comfortable seat that will resist weathering and last.

Care Instruction

Resin wicker requires minimal maintenance, as it is resistant against the sun's UV radiation, humidity and water. To clean, wash with mild soap and water.

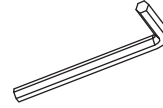
Warranty

Oxford Garden warrants all outdoor furniture and accessories to be free from manufacturing defects in materials and workmanship. Provided the furniture is assembled correctly and is subjected to normal use, Oxford Garden will cover your outdoor furniture under the following five, three and one year warranties. For more details regarding the Oxford Garden warranty, visit www.oxfordgarden.com/warranty.

Assembly Instructions page 1

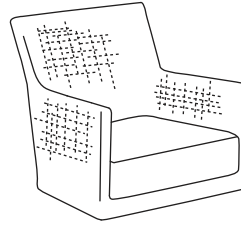
Tools (included)

Allen Wrench
QUANTITY: 1

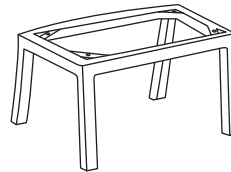


Components

- ① Argento Woven Club Chair_Argento - Seat Assembly



- ② Argento Woven Club Chair_Argento - Leg Assembly



Argento Woven Club Chair_Argento

Hardware

- A 25 mm Short Machine Bolt
QUANTITY: 2



- B 35 mm Long Machine Bolt
QUANTITY: 2



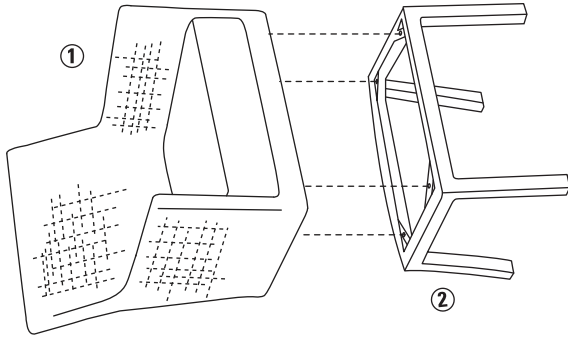
- C Flat Washer
QUANTITY: 4



Step 1

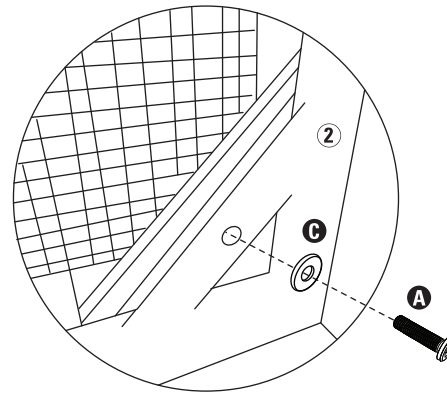
Place Seat Assembly ① onto its' side. Line up Leg Assembly ② to the pre drilled holes on the arm assembly as shown.

Note: Curved part of leg assembly lines up with the back of the chair.



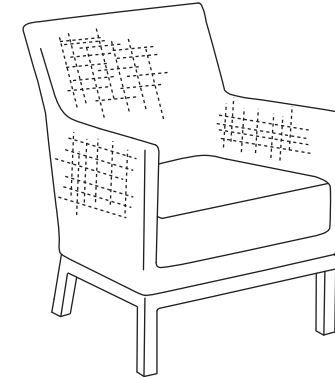
Step 2 Detail

Underside view



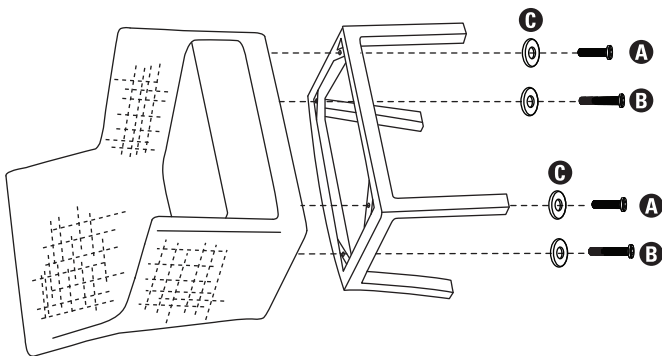
Step 4

Turn upright and enjoy!



Step 2

Place washer (B) on bolts (A & B). Next, hand tighten bolts into the pre drilled holes in the corner. Repeat for all corners.



Step 3

Tighten all four bolts with the allen wrench provided.

