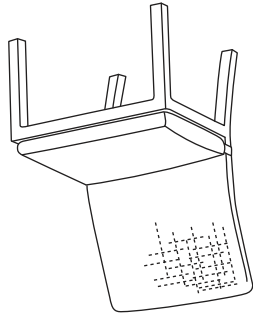


ITEM - TWWSCR2
ARGENTO
ARGENTO WOVEN SIDE CHAIR



About Materials

Resin wicker is made of synthetic polyethylene material. Unlike its alternative, natural wicker, resin wicker is durable and elastic, providing a comfortable seat that will resist weathering and last.

Care Instruction

Resin wicker requires minimal maintenance, as it is resistant against the sun's UV radiation, humidity and water. To clean, wash with mild soap and water.

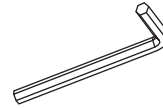
Warranty

Oxford Garden warrants all outdoor furniture and accessories to be free from manufacturing defects in materials and workmanship. Provided the furniture is assembled correctly and is subjected to normal use, Oxford Garden will cover your outdoor furniture under the following five, three and one year warranties. For more details regarding the Oxford Garden warranty, visit www.oxfordgarden.com/warranty.

Assembly Instructions page 1

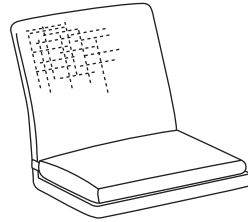
Tools (included)

Allen Wrench
QUANTITY: 1

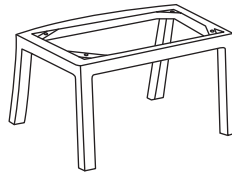


Components

- ① Argento Woven_Argento - Side Chair Seat Assembly



- ② Argento Woven_Argento - Side Chair Leg Assembly



Argento Woven Side Chair

Hardware

- A 6 mm x 70 mm Short Machine Bolt
QUANTITY: 4



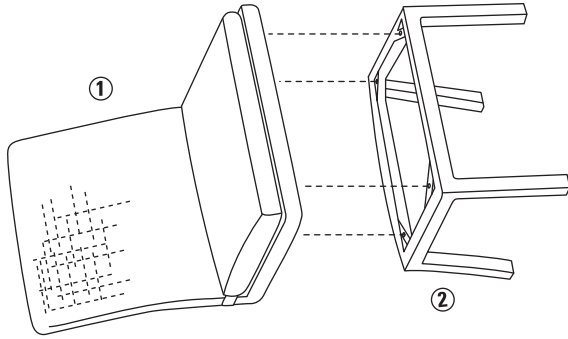
- B Flat Washer
QUANTITY: 4



Step 1

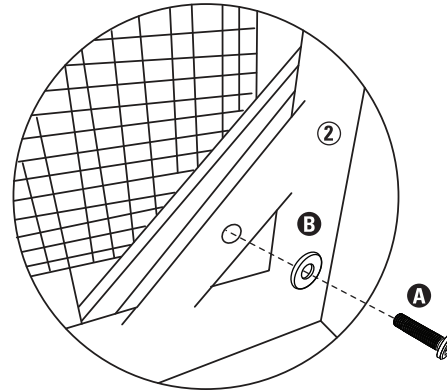
Place Seat Assembly ① onto its' side. Line up Leg Assembly ② to the pre drilled holes on the arm assembly as shown.

Note: Curved part of leg assembly lines up with the back of the chair.



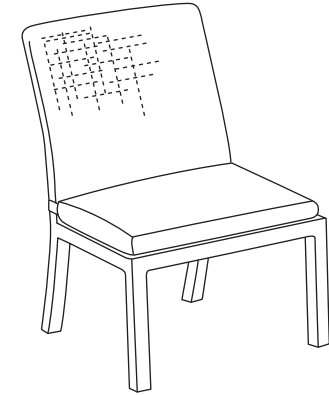
Step 2 Detail

Underside view



Step 4

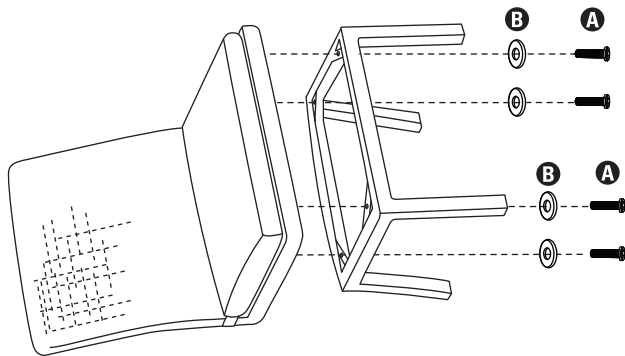
Turn upright and enjoy!



Step 2

Next, hand thread the bolts A into the pre drilled holes on all four sides, placing the washers first B.

NOTE: Do not tighten in this step.



Step 3

Tighten all four bolts with the allen wrench provided.

