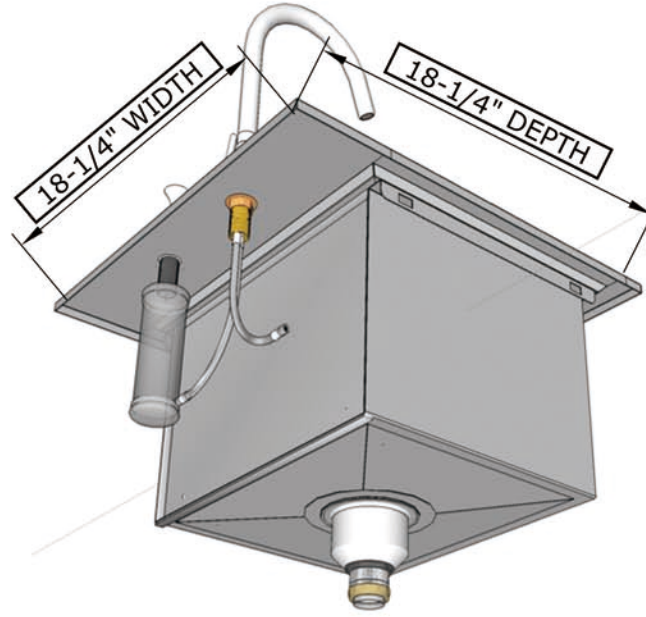
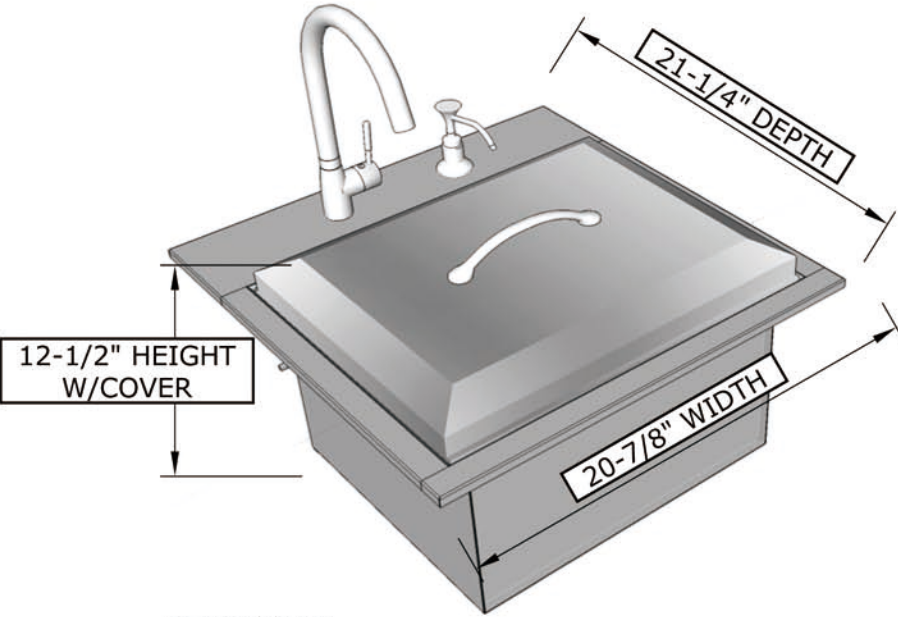


**SUNSTONE 21" PREMIUM SINK**  
**ITEM NO. B-PS21**

**SUNSTONE GRILLS**  
 Sunstone Metal Products LLC.  
 16004 Central Commerce Dr.  
 Pflugerville, TX. 78660  
 Tel: 888.934.9449  
 Bus: 512.487.5116  
 Fax: 512.487.7016

**PRODUCT DIMENSION**

**CUT-OUT DIMENSION**



**PRODUCT**  
 21" Premium Sink  
 Item No.B-PS21

**DESCRIPTION**  
 Commercial Quality 21"  
 Premium Sink includes  
 Cutting Board, Cover, Soap  
 Dispenser, Hot/Cold Faucet

**Specifications**  
 20-7/8"W x 12-1/2"H x 21-1/4" D (Product Size)  
 18-1/4"W x 18-1/4" D (Cut-out)  
 26LBS (Weight)

**Material Specifications:**  
 16 Gauge 304 Stainless Steel,  
 Handle is made of Zinc Alloy,  
 Chrome Plated.

