

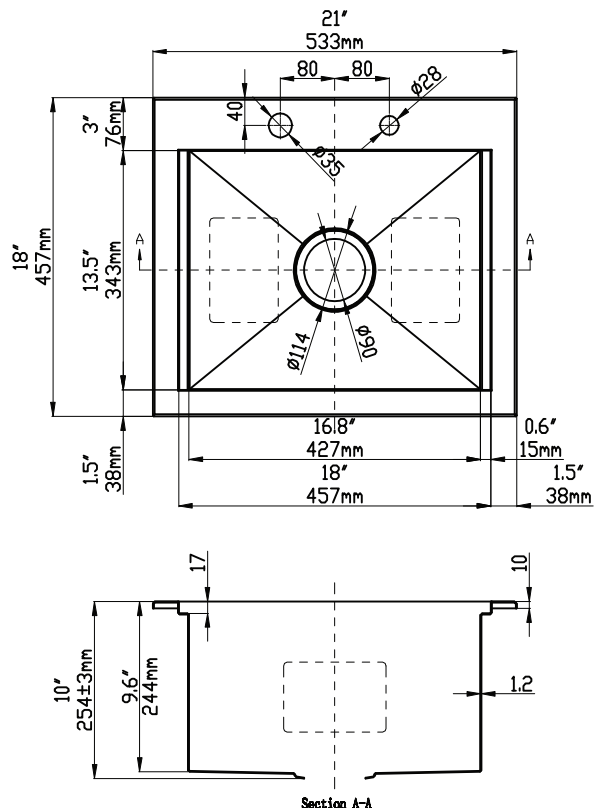
BBQGUYS[®] SIGNATURE

INSTALLATION GUIDE

21" Stainless Steel Outdoor Sink Kit BBQ-21SNK-SS

Specifications

- Outdoor-rated kitchen workstation sink
- Drop-in installation
- 18 gauge 304 stainless steel
- Sound dampening spray and pads
- Overall width: 21"
- Overall front/back: 18"
- Sink depth: 10"
- Drain, faucet and soap pump Included
- Two hole punchings on sink deck
- Includes polypropylene cutting board and all-weather cover



Installation Notes and Warnings

- Due to the construction of the sink rim and cover, this sink can only be used in top-mount (drop-in) installations.
- BBQ Guys is not responsible for improper sink or countertop installations or for sink or countertop damage during installation.
- Inspect sink for damage prior to beginning installation.
- Sink edges may be sharp. Please use caution when handling
- Use the template to determine the countertop cut-out. Be sure to leave room behind the sink for the faucet to operate.
- Avoid any obstructions or dimensional issues under the countertop or inside the cabinet when choosing the sink placement.
- Determine in advance how the plumbing will be routed under the countertop, both water supply lines and drainage piping (not included).
- If supplying the faucet with cold water only, use a tee configuration to supply water to both the hot and cold supply hoses.

