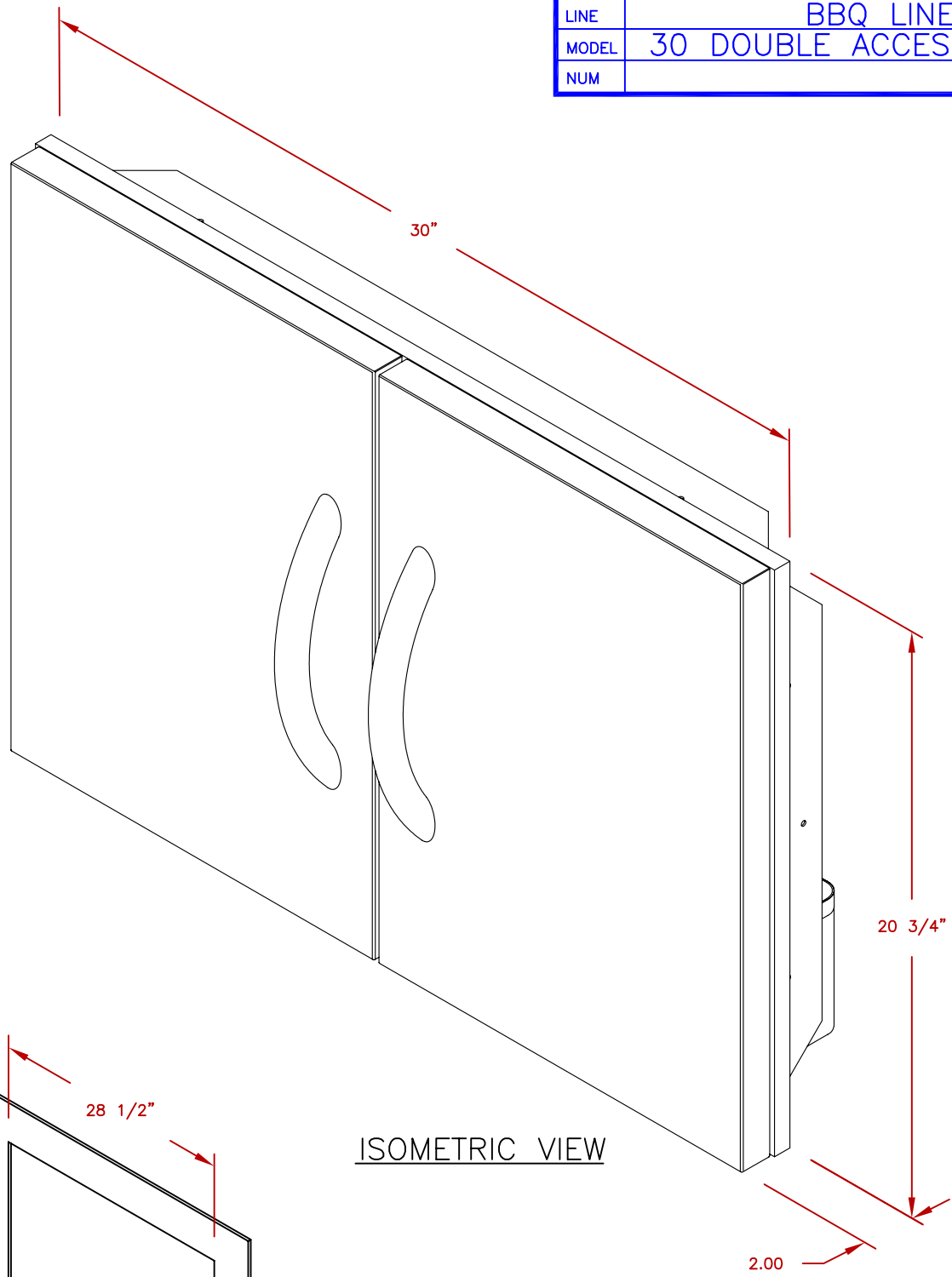
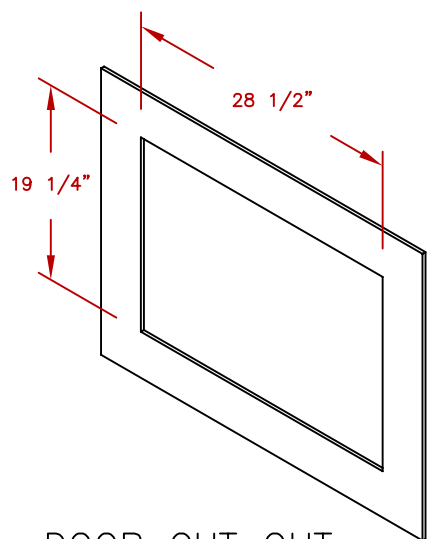



LINE	BBQ LINE
MODEL	30 DOUBLE ACCESS DOOR
NUM	



ISOMETRIC VIEW



DOOR CUT OUT

	TITLE 2014 BARBECUE LINE DOORS & DRAWERS 30 DOUBLE ACCESS DOOR	
	SCALE:	DWG NO. BBQ10839P-30
REVISED A	REV. DESCR. was single door	DWG BY S. LINARES
		DATE 01/01/14

NOTE:
DUE TO OUR CONTINUOUS IMPROVEMENT PROGRAM, ALL MODELS
AND SPECIFICATIONS ARE SUBJECT TO CHANGE WITHOUT NOTICE.