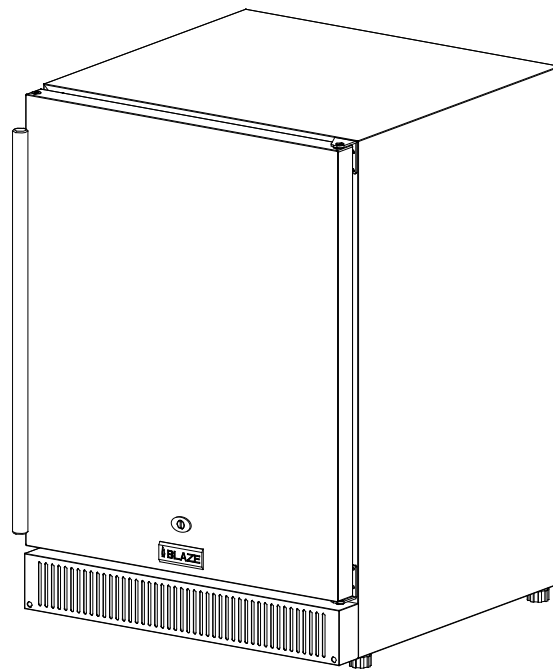




# Outdoor Refrigerator User Manual

Model: BLZ-SSRF-50DH



*Be sure unit is standing upright 24 hours prior to plug-in.*

## IMPORTANT SAFEGUARDS

Read all instructions before using this appliance. Use this appliance only for its intended purpose as described in this instruction manual. Always exercise basic safety precautions, as described below. After reading the instruction manual, store it in an accessible place where the user(s) of this product can easily find it.

The purpose of these safety precautions is to ensure safe and correct use of the product to minimize risks that could cause serious damage and injury to you or others. The safety precautions are divided into WARNINGS and CAUTIONS. Cases where improper handling of the unit could lead to death or serious injury are listed under the WARNING heading. However, the cases listed under CAUTION could also lead to serious results. To ensure safety, adhere strictly to both types of safety precautions.



### **CALIFORNIA PROPOSITION 65 WARNING**

**WARNING: This product can expose you to chemicals including Chromium (hexavalent compounds), which are known to the State of California to cause cancer and birth defects or other reproductive harm. For more information go to: [www.P65Warnings.ca.gov](http://www.P65Warnings.ca.gov)**



## **WARNING**

1. All repairs, disassembly and modifications should be performed only by qualified technicians. Attempting to perform these yourself could result in fire, malfunction or injury.
2. Never splash water directly onto the product or wash it with water without unplugging, as a short circuit could result. In a rainy environment, a water-proof covering is recommended.
3. Never put flammable or volatile substances into the unit as explosion and fire could result.
4. Do not damage, modify, excessively bend, strain, twist or bundle the power cord. Avoid hot, sharp, or aggressive surfaces. Also, placing heavy objects on the power cord or binding it could damage the cord, possibly resulting in electrical shock or fire.
5. Use a dedicated wall outlet. Do not use an extension cord or multiple-outlet adaptor as this could result in electrical shock, overheating and fire.
6. Never use flammable spray cans or leave flammable substances near the unit. Sparks from electrical switches could result in explosion or fire. If a

combustible gas is present near the appliance, turn off the source of the gas, then open the windows and doors to allow the gas to dissipate. To avoid an explosion, do not pull the plug or switch off the unit.

7. The electrical socket must have good grounding. The ground wire cannot be connected with a gas pipe, heating pipe, water pipe, telephone line or lightning rod. It cannot be replaced with the neutral wire of single-phase power. In addition to the ground wire, an electrical leakage circuit breaker is also required.
8. Use an electrician installed ground fault circuit interrupter (GFCI) electrical outlet. If no GFCI is installed, electrical shock could result.
9. Never climb onto the unit. The unit could tip over or fall and cause material damage or personal injury.
10. Disconnect the power cord plug from the wall outlet before moving the unit and make sure that the power cord is not damaged during transport. A damaged power cord could result in electrical shock and/or fire.
11. Never unplug the unit by pulling on the power cord. Always grip the plug firmly and pull straight out from the outlet. Pulling the cord could cause wire breakage, possibly resulting in overheating and fire.
12. Repair or replace any cord that is frayed or damaged. Do not use a cord that shows cracks or abrasions along its length.

## CAUTION

1. This unit must be properly installed in accordance with the installation instructions along with all local codes before it is used. See grounding instructions in the *Installation* section.
2. This model can either be built-in or free-standing. Built-in units vent at the bottom front and airflow at the front of this vent must be unimpeded.
3. Install the unit in a location where the floor is sturdy enough to support the load of the unit. If the floor is not sturdy enough or installation is incorrectly performed, the unit could tip over and cause personal injury. If the unit is placed on a stand, the front surface must be 3" or more back from the edge of the stand in order to avoid accidental tipping of the appliance during normal usage.
4. Never place heavy objects or items containing water on top of the unit. Objects could fall and cause injury and spilled water could cause the deterioration of the insulation of electrical components and result in electrical shock.
5. Disconnect the unit if it is behaving abnormally, and do not reconnect until the situation is corrected.
6. Unplug before doing any maintenance on the unit to avoid electric shock.

7. Never pull out plug when hands are wet!
8. This unit is not intended for the storage of medicines or chemical reagents.
9. Keep packing materials away from children.
10. Condenser water from evaporator drains into a hole in the floor of the storage compartment and is channeled into a drain pan located at the back of the unit on the compressor. Heat transferred from the compressor evaporates any water that has collected in the pan. Be sure the drain hole in the floor of the unit is clear and unobstructed.
11. During long absences, remove the unit's contents, unplug the unit, clean it and leave the door open slightly to avoid possible formation of condensation, mold or odors. Use a cover to protect the unit and prolong its lifespan.
12. Leave disassembly and disposal of the unit to qualified experts.

## ***SAVE THESE INSTRUCTIONS!***

### ***DANGER!***

*Risk of child entrapment!* Before discarding your old refrigerator:

- take off the doors
- leave the shelves in place so that children may not easily climb inside.

# Table of Contents

IMPORTANT SAFEGUARDS ..... 1 – 3

Location of Parts .....4

Technical Specifications .....5

Energy-Saving Tips .....5

Installation ..... 5 – 7

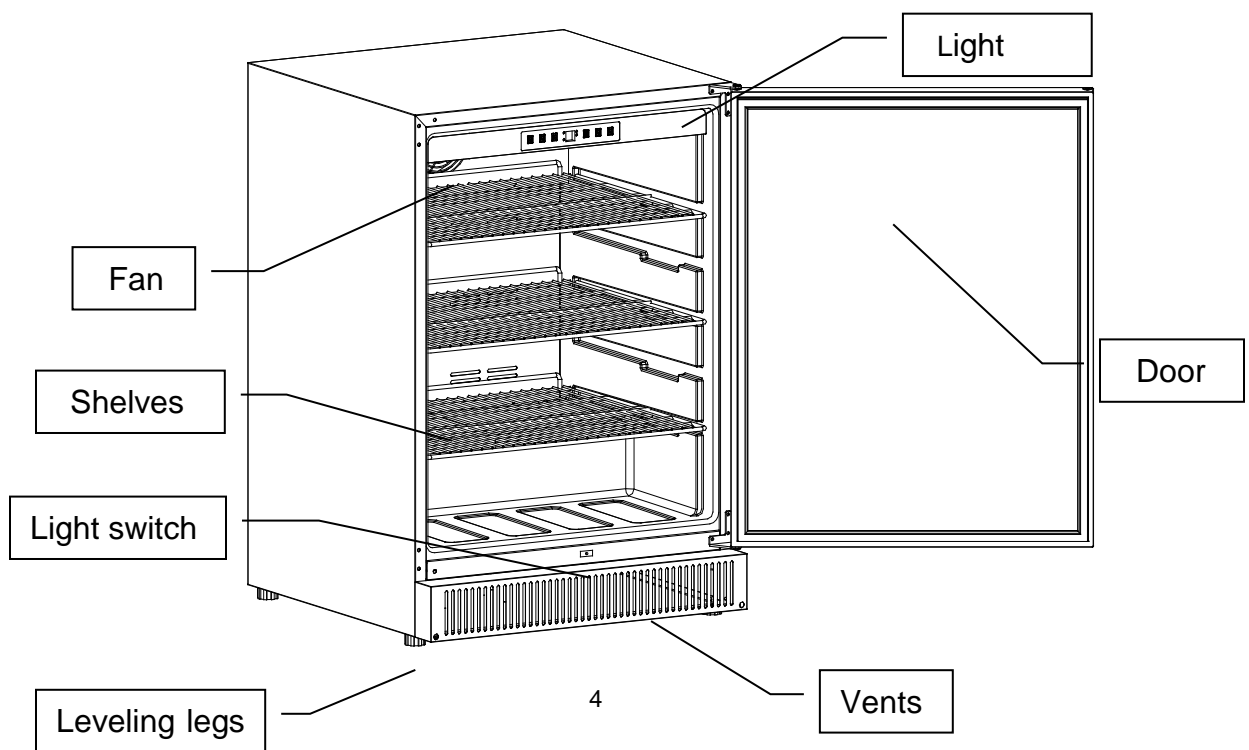
Operating Your Refrigerator ..... 8 – 10

Cleaning and Maintenance ..... 11

Troubleshooting ..... 11 – 12

Warranty ..... 13

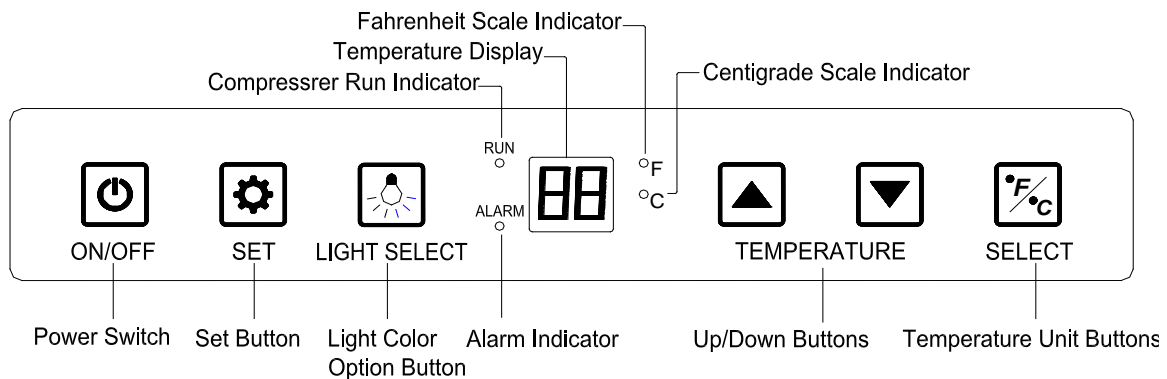
# Location of Parts



# Technical Specifications

<b>Model Number:</b>	BLZ-SSRF-50DH
<b>Description:</b>	Outdoor Refrigerator
<b>Electrical Input:</b>	115VAC ~ 60Hz
<b>Current Rating:</b>	1.8A
<b>Unit Dimensions:</b>	23 <sup>5</sup> / <sub>8</sub> "W x 23 <sup>1</sup> / <sub>16</sub> "D x 33 <sup>1</sup> / <sub>2</sub> "H
<b>Unit Weight:</b>	93 lbs
<b>Ambient Temperature Range:</b>	50°F - 100°F
<b>Compartment Temperature Range:</b>	36°F - 64°F

## Control Panel



## Energy-Saving Tips

- Do not place the unit next to a heating vent, a range or in direct sunlight.
- Keep the door closed as much as possible, especially in hot, humid weather.
- Cover open items to reduce moisture buildup inside the appliance.

## Installation

Remove the exterior and interior packaging. Use a soft dry cloth to wipe down the outside of the refrigerator thoroughly. Use a clean cloth dampened with lukewarm water to wipe down the inside of the refrigerator.

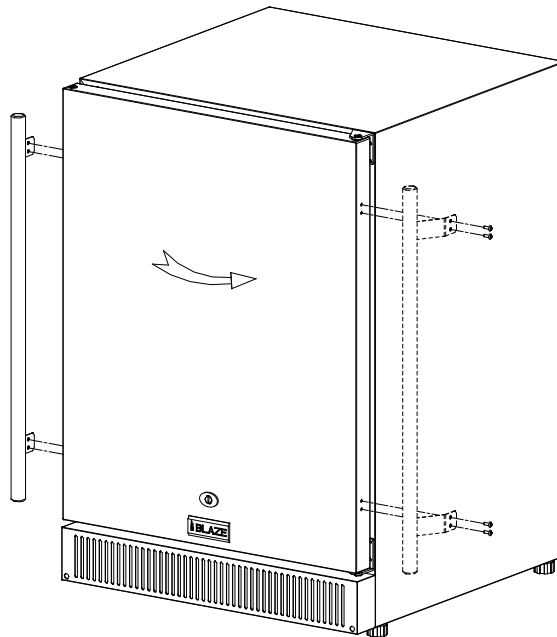
The unit should be located in a well-ventilated area. Avoid placing it near any source of heat or moisture, or in direct sunlight. Direct sunlight may affect the finish, and nearby heat sources will cause higher electrical consumption.

The Refrigerator is designed to be either free-standing or built-in. It has motorized fans at the back of the unit that direct compressor-generated heat away from the compressor and through the front of the unit. Keep the front vents unobstructed. If the unit is built-in, allow minimum clearances of 1/4" at the sides, 1/2" at the back and 1" at the top.

Once the Refrigerator is positioned, the adjustable legs should be turned to level the appliance. This will reduce vibrations.

## Door Handle Installation

The door has four screw holes on each side allowing you to install the handle (provided with the refrigerator). Using a Phillips screwdriver, remove the four screws pre-installed on the side of the door. Align the handle with the screw holes and attach with the four screws. Tighten screws firmly but do not over tighten.



## Reversing the Door Swing

**Tools needed:** Flathead screwdriver, Phillips screwdriver

**IMPORTANT:** Before you begin, unplug the refrigerator or disconnect power.

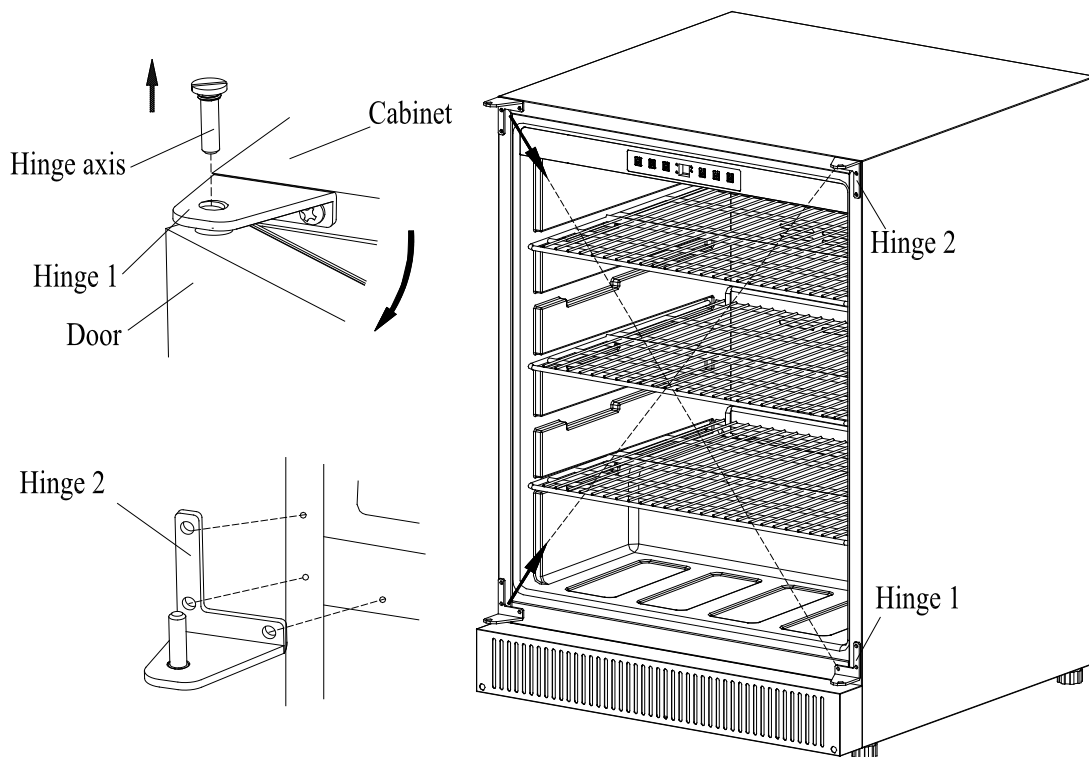
**To remove door from hinges:**

1. Using a flathead screwdriver, separate the hinge axis from Hinge 1. Set aside.
2. Open the door about 20° around the axis of Bottom Hinge 2, then lift the door off Bottom Hinge 2 and set door aside.

### To replace door on hinges:

3. Using a flathead screwdriver, remove the plug buttons from the screw holes opposite the door hinges, top and bottom. Set aside.
4. Replace the axis on the Hinge 1 and tighten it firmly. Remove Hinge 1 and place it on the opposite bottom side.
5. Remove Hinge 2 and place it on the opposite top side. Separate the axis from Hinge 2 and set it aside.
6. Align the door on Bottom Hinge 1 and replace axis on Hinge 2. Tighten it firmly. Place the handle on the side of the door away from the hinge side.
7. Push the plug buttons into the original screw holes.
8. Swap the door handle.

See Figure below.



### Electrical Connection

**Important! For your personal safety, this appliance must be properly grounded.** In the event of an electrical short circuit, grounding reduces the risk of shock by providing an escape wire for the electric current. This appliance is



equipped with a cord having a grounding wire with a grounding plug. The plug must be inserted into an outlet that is properly grounded and installed. The ground wire cannot be connected to a gas pipe, heating pipe, water pipe, telephone line or lightning rod. It cannot be replaced with the neutral wire of single-phase power. In addition to the ground wire, an electrical leakage circuit breaker is also required. Consult a qualified electrician if you do not completely understand these grounding instructions.

**DO NOT UNDER ANY CIRCUMSTANCES CUT OR REMOVE THE THIRD (GROUND) PRONG FROM THE POWER CORD.**

If installation in a damp location is unavoidable, have an electrician install a ground fault circuit interrupter (GFCI) electrical outlet. If no GFCI is installed, electrical shock could result.

### **Do Not Use an Extension Cord**

Avoid the use of an extension cord because of potential safety hazards under certain conditions.

## **Operating Your Refrigerator**

***IMPORTANT:*** Do not plug in the Refrigerator for 24 hours after unit is set in place. Failure to do so may result in the unit working improperly.

### **Compartment Design**

This Blaze Refrigerator has a capacity of 175 cans. The unit has 3 adjustable chrome-plated flat wire shelves to hold cans and bottles of beverages such as beer, water and soft drinks. The control panel also allows you to set a different temperature for Refrigerator or wine cellar. The control panel displays the current temperature inside the compartment.

## **OPERATING INSTRUCTIONS**

### **First Use**

The first time you turn the unit on, set the temperature to “64” (the warmest setting). Gradually decrease the temperature to the desired set temperature which will prevent overworking the unit during initial startup. A decrease of 10 degrees in temperature setting every 60 minutes during initial startup should be sufficient.

### **Turning On the Unit**

Plug in the Refrigerator to turn it on automatically. (After the unit has been on for about 6 hours, the compressor will shut down for thirty minutes to allow for automatic defrosting.)

If you want to use the Automatic Temperature (default) setting, do nothing further. The unit will automatically set the temperature in the compartment at 40 °F (4°C). If you want to set other temperatures, see below.

## Temperature Setting

Wine Storage Temperatures: While wines store best at temperatures around 56-58°F, your unit also allows you to store wine at drinking temperatures. Generally, RED WINE should be kept at 60-61°F and WHITE WINE, which is usually served chilled, is best kept at 54-55°F. Sparkling wines should be kept at about 46° F. For beer and soft drinks, choose the temperature setting that is most agreeable to you and your guests.

To adjust the temperature, press the SET button, then use the UP/DOWN keys to navigate to the preferred temperature. The range of set temperatures is from 36 to 64° F. For example, if you are storing red wine, you may want to set a temperature of 61° F. When the correct temperature appears in the DISPLAY window of the control panel, press SET to confirm. The actual temperature inside the unit will now appear in the window. This temperature will vary depending on the number of bottles stored and how frequently the door is opened.

**Please note:** The temperature sensor records the average temperature of the unit. Cold air falls and warmer air rises, and there will be a temperature variation from the bottom to the top of the unit. The temperature at the bottom of the unit will always be slightly colder. The controller only controls the average temperature of the unit. The temperature displayed by the electronic control panel is the instantaneous average temperature of the unit and there may be a variation of approximately 0 to 6 Fahrenheit degrees.

When fully loaded with room temperature product, the BLZ-SSRF-50DH will operate continuously for as long as 24 hours to reduce the temperature inside the cabinet to the desired point. Under normal conditions, when the unit has been on for six hours, it will stop working for about thirty minutes to defrost automatically.

The unit is designed to operate between 50°F (10°C) and 100°F (38°C). Higher ambient temperatures may reduce the unit's ability to reach low temperatures. Best results are obtained at temperatures between 65°F and 80°F for built-in models and between 65°F and 90°F for freestanding models.

**Caution:** Damages caused by ambient temperatures of 40°F (4°C) or below are not covered by the warranty.

To temporarily stop the cooling cycle, unplug the Refrigerator. To shut it down for longer periods of time, disconnect the plug and leave the door partially open.

NOTE: If you unplug the Refrigerator, allow 3 minutes before plugging it back in. The unit will not restart in less than 3 minutes.

## **Memorized Temperature Settings**

Your unit has been designed to “remember” the last run mode to which it was set. If there is a power outage or any other power cutoff, the unit will automatically return to the previous temperature setting after the power has returned.

## **Compressor Run Indicator**

When the compressor is running, the control panel will light a running LED light representing a running compressor. If the compressor stops running, the running LED will go out as well.

## **ALARM Mode**

In the event that there is a fault in the unit, an ALARM LED light will appear on the control panel.

In ALARM mode, the unit will make a beeping sound and display an alarm message. If the control panel displays any of the following messages: EI, HI or LI, consult the *Troubleshooting* section of this manual.

## **Interior Light**

The interior light can be turned On or Off automatically with the opening or closing of the door. The white light is the set color from the factory, it also can be changed to either blue or red.

## **Shelving**

The unit has 3 adjustable chrome-plated flat wire shelves to hold cans and bottles of beverages such as beer, water and soft drinks.

These racks are designed to only be pulled out 1/3 of the way. This is a safety feature so that neither the machine nor the shelf will tip over.

The racks are removable and reversible. To remove a rack, take out the cans on the rack and pull it out until it stops. Then lift up the front of the rack and remove it from the unit.

# Cleaning and Maintenance

## Cleaning the Outside

Unplug your Refrigerator. Clean the outside with a cloth dampened in mild soapy water. Dry thoroughly with a soft cloth. Polish with a stainless steel cleaner. To clean the door gasket, use only mild soapy water. Never use harsh cleansers or scouring pads to clean any part of your unit.

## Cleaning the Inside

Unplug your Refrigerator and remove its contents. Rinse the inside surfaces with plain water and dry the chrome racks, basket and shelving. Avoid getting excess water inside the machine since it will flow into the water trap near the compressor and possibly overflow.

## Defrosting the Unit

The unit uses an automatic defrost system in which the refrigerated surfaces of the unit defrost automatically. Defrost water drains into a hole in the floor of the storage compartment and is channeled into a drain pan located at the back of the unit near the compressor. Heat transferred from the compressor evaporates any water that has collected in the pan. Be sure the drain hole in the floor of the unit is clear and unobstructed.

## Extended Non-Use

### VACATION/HOLIDAY, PROLONGED SHUTDOWN

The following steps are recommended for periods of extended non-use:

1. Remove all customizable content from the unit.
2. Disconnect the power cord from its outlet/socket and leave it disconnected until the unit is returned to service.
3. If ice is on the evaporator, allow ice to thaw naturally.
4. Clean and dry the interior of the unit. Ensure all water has been removed from the unit.
5. The door must remain open to prevent formation of mold and mildew. Open door a minimum of 2" (50 mm) to provide the necessary ventilation.

## WINTERIZATION

If the unit will be exposed to temperatures of 40°F (4°C) or less, the steps above must be followed.

# Troubleshooting

## ***Unit does not turn on***

- Not plugged in.
- Fuse blown or circuit breaker tripped.
- Press Power Button on control panel

## ***Noise or vibration***

- Check that unit is level. If not, adjust leveling legs.

## ***Unit is too warm***

- Check that door is properly closed and sealed.
- Check temperature setting. (To change the temperature setting, follow the steps in the *Operating Your Refrigerator* section of this manual.)
- Check if door has been opened frequently or recently filled with product.

## ***Unit Develops Condensation on External Surfaces***

- Check the unit is properly exposed to excessive humidity. Moisture will dissipate as humidity levels decrease.

## ***Temperature Window displays “E1”***

- This message is an ALARM MODE indication. It indicates that thermostatic sensor has malfunctioned. Contact your authorized service facility for sensor replacement.

## ***Temperature Window displays “LI”***

- This message is an ALARM MODE indication. It indicates that the actual temperature is much lower than your set temperature.

## ***Temperature Window displays “HI”***

- This message is an ALARM MODE indication. It indicates that the actual temperature is much higher than your set temperature. Possible causes are:
  - The door might not be fully closed.
  - The refrigerant may have leaked.
  - The unit may have been recently loaded with room temperature product.
  - The control panel may not be functioning properly and should be replaced. If you are certain that the door is not the cause of the problem, contact your authorized service facility immediately.

## Limited Warranty

Manufacturer warrants to the original purchaser at the original site of delivery with proof of purchase of each Refrigerator that when subject to normal residential use, it is free from defects in workmanship and material for the periods specified below. This warranty excludes refrigerators used in rental or commercial applications. It does not cover labor or labor related charges. There will be shipping and handling charge for the delivery of the warranty part(s).

## 1 Year Warranty

Our obligation under this warranty is limited to parts for repair or replacement, at our option, of the product during the warranty period. The extent of any liability of Manufacturer, under this warranty is limited to repair or replacement. This warranty does not cover normal wear of parts, damage resulting from any of the following: negligent use or misuse of the product, use contrary to operating instructions, or alteration by any unqualified person. The warranty period is not extended by such repair or replacement.

***Warranty claim procedure:*** If you require parts for your refrigerator, please contact your dealer for assistance.

ATTENTION International Customers: Please consult your selling dealer or distributor for specifics pertaining to your product warranty and procedure.

Manufacturer shall not be liable for any incidental or consequential damages for breach of any express or implied warranty on its products. Except to the extent prohibited by applicable law, any implied warranty or merchantability or fitness for a particular purpose on this product to the duration of the above warranty. Some states do not allow the exclusion or limitation of incidental or consequential damages, or allow limitations on how long an implied warranty lasts, so the above limitations or exclusions may not apply to you. This warranty gives you specific legal rights, and you may have other rights, which vary from state to state.