

FEATURED MODEL

440210 Single Bowl, 10" bowl depth, ANTHRACITE

ADDITIONAL MODELS

- 440208 Single Bowl, 10" bowl depth, CAFE BROWN
- 440209 Single Bowl, 10" bowl depth, METALLIC GRAY
- 440211 Single Bowl, 10" bowl depth, WHITE
- 440212 Single Bowl, 10" bowl depth, BISCUIT
- 441215 Single Bowl, 10" bowl depth, BISCOTTI
- 441280 Single Bowl, 10" bowl depth, TRUFFLE
- 441463 Single Bowl, 10" bowl depth, CINDER

Versatile dual deck design can be installed as a drop-in or undermount.

FEATURES

- Required outside cabinet: 24" (drop-in), 27" (undermount)
- 80% solid granite
- Heat resistant up to 536°F
- Unsurpassed cleanability backed by industry leading 7 patents!
- Resistant to scratches, stains and all household acids and alkali solutions
- Template provided with approximate 1/8" reveal
- Undermount clips NOT included
- 1/2" deck thickness
- Limited lifetime warranty

OPTIONAL ACCESSORIES

- Cutting Board: 440231 (drop-in only)
- Colander: 440492
- Sink Grid: 221000

CODE/STANDARDS COMPLIANCE

ANSI Z124.6-97
 IAPMO/UPC listed

WARRANTY

BLANCO'S SILGRANIT II Series sinks feature a LIMITED LIFETIME WARRANTY to be free of all manufacturing defects under normal use. See our complete warranty for details.

While BLANCO endeavors to provide accurate information, all dimensions are nominal, cannot be guaranteed, and are subject to change or cancellation. BLANCO assumes no responsibility for use of superseded or voided specifications.

JOB INFORMATION

Job Name: _____

Contact: _____

Date Specified: _____

Specifier: _____

Contractor: _____

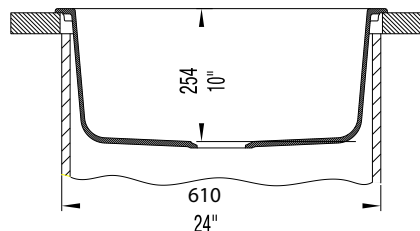
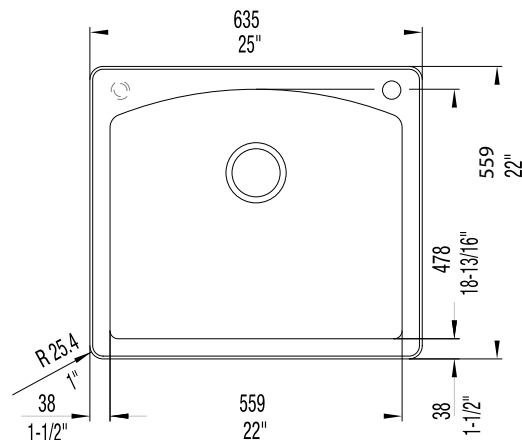


NOMINAL DIMENSIONS

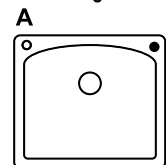
Model 440210 shown

OVERALL	CUT OUT SIZE	BOWL DEPTHS	DRAIN
25" x 22"	24-1/4" x 21-1/4"	10"	3-1/2"

DXF cutout templates available on our website.



KNOCKOUT HOLE LOCATIONS
 Pre-drilled for single-hole faucet.



BLANCO AMERICA

800.451.5782
 www.blancoamerica.com