

FEATURED MODEL

516208 Medium (Vertical Orientation), 10" bowl depth

FEATURES

- Required outside cabinet: 18"
- 18 gauge, 304 series stainless steel
- 18/10 chrome/nickel content
- Zero radius corners
- Stylish drain grooves for improved functionality
- Satin Polished Finish
- Sound deadening pads
- Rear drain placement

OPTIONAL ACCESSORIES

Stainless Steel Sink Grid:	223189
Glass Cutting Board:	224390
Colanders:	224387, 440492

CODE/STANDARDS COMPLIANCE

ASME 112.19.3-00
IAPMO/UPC listed

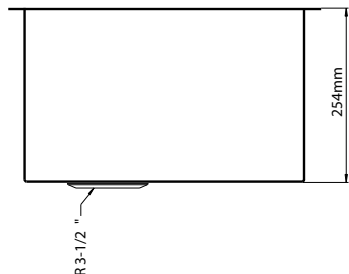
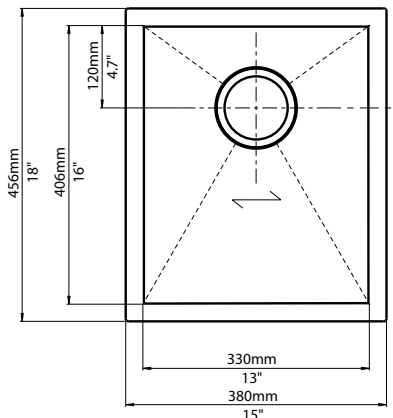


NOMINAL DIMENSIONS

Model 516208 shown

OVERALL	CUT OUT SIZE	BOWL DEPTH	DRAIN
15" x 18"	Template provided with approximate 1/8" reveal	10"	3-1/2"

DXF cutout templates available on our website.



WARRANTY

Blanco America's STEELART™ sinks feature a LIMITED LIFETIME WARRANTY to be free of all manufacturing defects under normal use. See our complete warranty for details.

While Blanco America endeavors to provide accurate information, all dimensions are nominal, cannot be guaranteed, and are subject to change or cancellation. Blanco America assumes no responsibility for use of superseded or voided specifications.

JOB INFORMATION

Job Name: _____

Contact: _____

Date Specified: _____

Specifier: _____

Contractor: _____

BLANCO AMERICA

800.451.5782

www.blancoamerica.com

© 2013 BLANCO AMERICA

7/13

SPEC-003