

FEATURED MODEL

441610 VALEA SUPER SINGLE Under Mount ANTHRACITE

ADDITIONAL MODELS

441612 VALEA SUPER SINGLE Under Mount BISCOTTI

441613 VALEA SUPER SINGLE Under Mount CAFE BROWN

441611 VALEA SUPER SINGLE Under Mount CINDER

FEATURES

- Extra capacity with elegant soft lines
- Required Cabinet for undermount installation: 36"
- 80% solid granite
- Heat resistant up to 536°F
- Unsurpassed cleanability backed by industry leading 7 patents!
- Resistant to scratches, stains and all household acids and alkali solutions
- Template provided
- Under mount clips included
- Limited lifetime warranty

OPTIONAL ACCESSORIES

Stainless Steel Sink Grid Large - 230966

Wood Cutting Board - 230972

CODE/STANDARDS COMPLIANCE

ANSI Z124.6-97

IAPMO/UPC listed

WARRANTY

BLANCO'S SILGRANIT II Series sinks feature a LIMITED LIFETIME WARRANTY to be free of all manufacturing defects under normal use. See our complete warranty for details.

While BLANCO endeavors to provide accurate information, all dimensions are nominal, cannot be guaranteed, and are subject to change or cancellation. BLANCO assumes no responsibility for use of superseded or voided specifications.

JOB INFORMATION

Job Name: _____

Contact: _____

Date Specified: _____

Specifier: _____

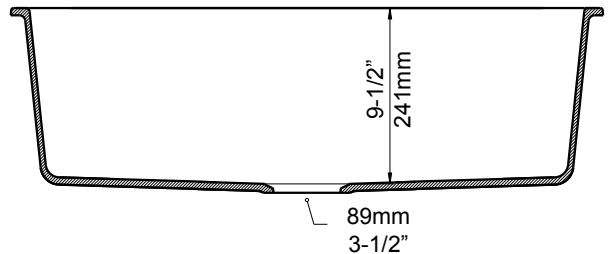
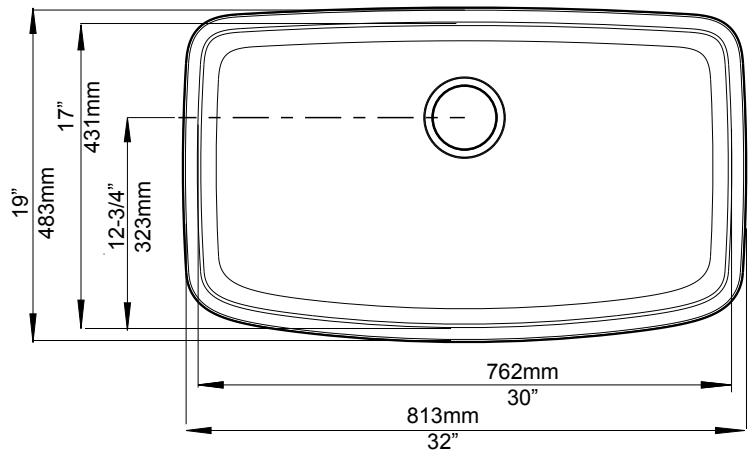
Contractor: _____



Model 441613 shown

NOMINAL DIMENSIONS			
OVERALL	CUTOUT SIZE	BOWL DEPTH	DRAIN DIAMETER
32" X 19"	Refer to supplied template.	9-1/2"	3-1/2"

DXF cutout templates (Undermount and Drop-In versions) available on our web site



BLANCO AMERICA

800.451.5782

www.blancoamerica.com

© 2013 BLANCO AMERICA

12/13

SPEC-003