



BIM24OSBase34



33.25" x 15.13" x 20.63" (H x W x D)

Outdoor icemaker for built-in use, in complete stainless steel with towel bar handle and lower base storage cabinet

Highlights:

U.L. approved for outdoor use, with three levels of weatherproofing in design

Complete construction in durable 304 grade stainless steel

Produces up to 10 lbs. of crescent-shaped ice in a day cycle

Functional elegance with a sturdy towel bar handle in brushed stainless steel

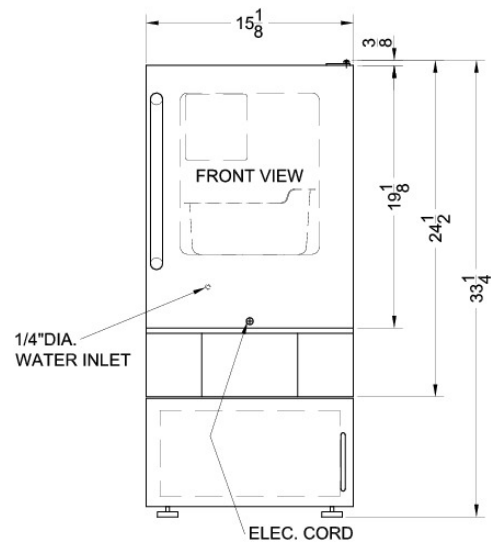
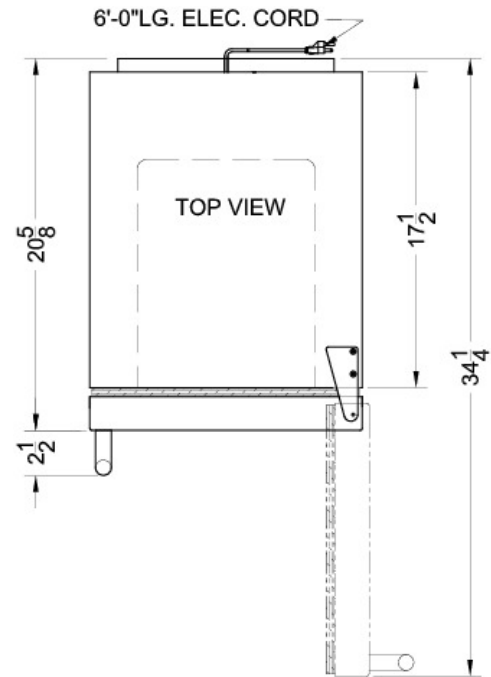
Product Features:

U.L. approved for outdoor use	Weatherproof design rated safe for outdoor operation
Built-in capable	Make the best use of space by installing your appliance under the counter and flush with other cabinets
Fully finished cabinet	Allows the unit to be used freestanding
Complete 304 grade stainless steel construction	Durable exterior with lasting elegance
Professional towel bar handle	A curved stainless steel handle provides generous room for a comfortable grip
Insulated storage bin	Ice maintains solid crescent shape longer in cold storage bin
Sealed back	No exposed electrical components
Storage base	Stainless steel base includes drawer
100% CFC free	Environmentally friendly design without ozone-damaging chemicals



BIM24OSBase34 Specifications:

Overview	
Height to Cabinet	33.25"
Height to Hinge Cap	33.63"
Width	15.13"
Depth	20.63"
Depth with Handle	23.13"
Depth with door at 90°	34.25"
Capacity	1.0 cu.ft.
Defrost Type	Manual
Door	Stainless Steel
Cabinet	Stainless Steel
US Electrical Safety	UL
Canadian Electrical Safety	ULC
Amps	1.0
Voltage/Frequency	115 V AC/60 Hz
Shipping Weight	100.0 lbs.
Parts & Labor Warranty	1 Year
Compressor Warranty	5 Years
Ice maker	
Door Swing	RHD
Reversible	No
Daily Ice Production	10.0 lbs.
Ice Storage Capacity	10.0 lbs.
Ice Shape	Crescent
Number of Ice Cube Sizes	1
Refrigerant Type	R134a
Refrigerant Amount	2.4 oz.
Interior Height	11.75"
Interior Width	10.0"
Interior Depth	13.0"
Level Legs	4



SUMMIT APPLIANCE DIVISION FELIX STORCH, INC.

770 Garrison Avenue, Bronx, NY 10474 USA TEL 718-893-3900 FAX 844-478-8799

info@summitappliance.com



www.summitappliance.com