



BIM45



34.13" x 15" x 22.75" (H x W x D)

15" wide built-in undercounter clear icemaker with internal pump, stainless steel door, and black cabinet

Highlights:

CURRENTLY UNAVAILABLE UNTIL FURTHER NOTICE

Flexible design allows built-in or freestanding use

Built-in pump allows versatile installation

Slim 15" width is perfect for home bars

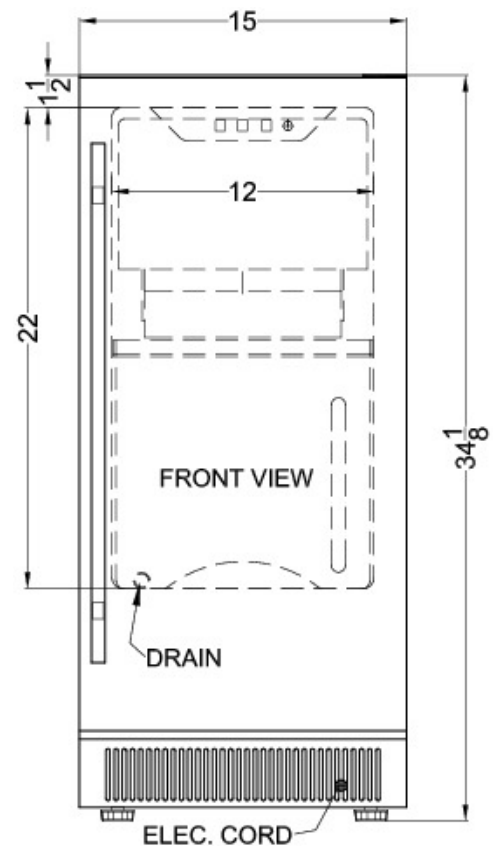
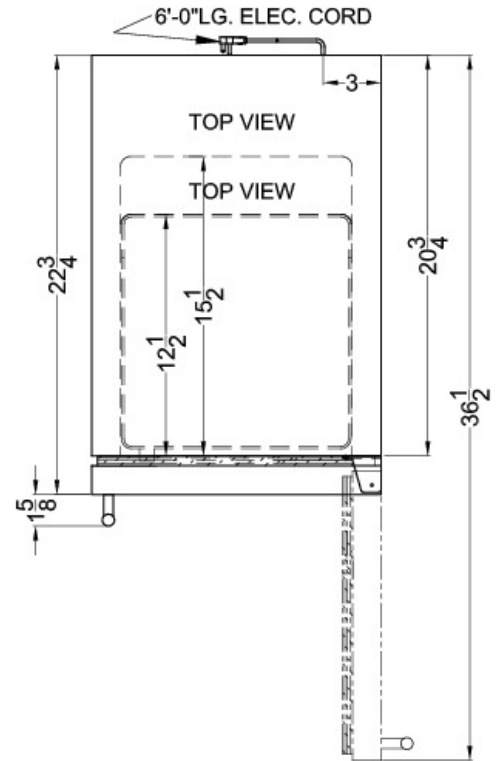
Product Features:

Built-in pump	Internal pump allows more flexibility in placing the unit
Built-in capable	Make the best use of space by installing your icemaker under the counter and flush with other cabinets
Stainless steel door	304 grade stainless steel wrapped door offers a professional look with lasting durability
Professional handle	Vertically mounted handle in brushed stainless steel, with a sleek diameter to match many popular styles of cabinetry
Clear ice cube production	Produces clear cubes measuring 11/16" H x 13/16" W x 13/16"
Three ice cube styles	Choose 'large' for full cube, 'medium' for cube with center slightly hollowed out, or 'small' for lighter cube with nearly hollow center
Touch controls	Intuitive digital control panel ensures easy use
Stainless steel ice scoop	Sturdy ice scoop included. Interior wall includes hook to hang for easy storage
Frost-free operation	No-frost operation for minimum user maintenance



BIM45 Specifications:

Overview	
Height to Cabinet	34.13"
Width	15.0"
Depth	22.75"
Depth with Handle	24.38"
Depth with door at 90°	36.5"
Defrost Type	Frost-Free
Door	Stainless Steel
Cabinet	Black
US Electrical Safety	CSA
Amps	2.6
Voltage/Frequency	115 V AC/60 Hz
Weight	84.0 lbs.
Shipping Weight	105.0 lbs.
Parts & Labor Warranty	1 Year
Compressor Warranty	5 Years
Icemaker	
Door Swing	RHD
Reversible	Yes
Daily Ice Production	32.0 lbs.
Ice Storage Capacity	25.0 lbs.
Size of Cube	11/16" H x 13/16" W x 13/16" D
Number of Ice Cube Sizes	3
Fan Type	Exterior
Refrigerant Type	R134a
Refrigerant Amount	5.64 oz.
High Side PSI	250.0
Low Side PSI	103.0
Interior Height	22.0"
Interior Width	12.0"
Interior Depth	15.5"
Level Legs	2



SUMMIT APPLIANCE DIVISION FELIX STORCH, INC.

770 Garrison Avenue, Bronx, NY 10474 USA TEL 718-893-3900 FAX 844-478-8799

info@summitappliance.com

www.summitappliance.com