



CT663BBI



33.25" x 23.63" x 23.5" (H x W x D)

Built-in undercounter refrigerator-freezer for residential use, cycle defrost with a deluxe interior and black exterior finish

Highlights:

Flexible design allows built-in or freestanding use in 24" spaces

Deluxe interior with glass shelves, door storage, and a scalloped wine shelf

Improved temperature performance with our unique dual evaporator cooling

Zero degree freezer compartment

Product Features:

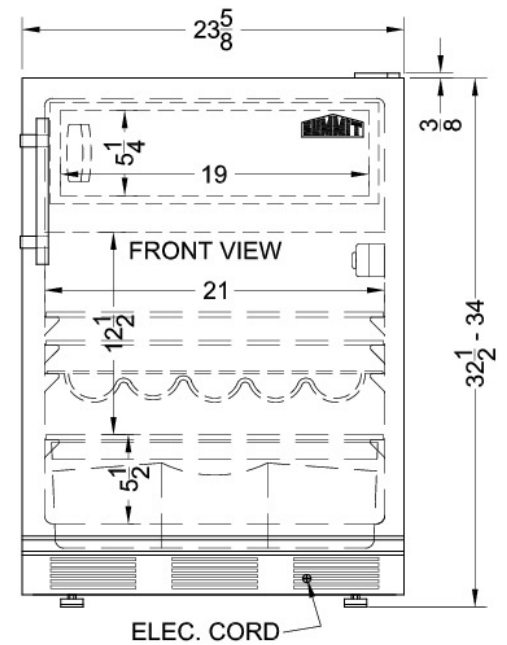
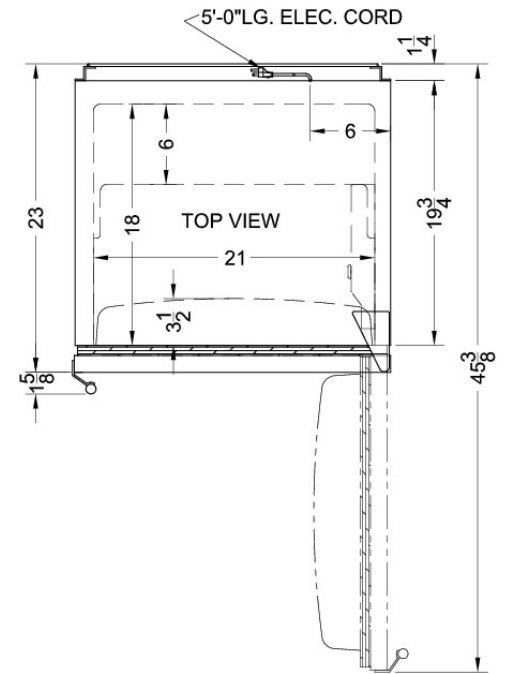
| | |
|------------------------------|--|
| Built-in capability | Make the best use of space by installing your refrigerator under the counter and flush with other cabinets |
| Slim undercounter dimensions | Ideal 24" footprint offers full 5.1 cu.ft. storage capacity in a slim fit |
| Cycle defrost | This system utilizes user-friendly automatic defrost operation in the fresh food section and efficient manual defrost operation in the freezer compartment |
| Zero degree freezer | Frozen food and ice cream stay safe and freezer burn-free in the low temperature freezer compartment |
| Adjustable glass shelves | Rearrange your refrigerator space to accommodate all shapes and sizes or remove shelves for a simple clean-up |
| Door storage | Store tall bottles and condiments right on the door for convenient access |
| Wine shelf | Removable scalloped wine shelf is included to store champagne and wine bottles |
| Fruit and vegetable crisper | Get the longest life and best taste out of produce by storing it in a convenient slide drawer |
| Dual evaporator | Our unique and efficient design separately cools the refrigerator while maintaining zero degrees in the freezer with two evaporators |



CT663BBI Specifications:

| Overview | |
|----------------------------------|----------------|
| Height to Cabinet | 33.25" |
| Width | 23.63" |
| Depth | 23.5" |
| Depth with door at 90° | 45.38" |
| Capacity | 5.1 cu.ft. |
| Defrost Type | Cycle |
| Door | Black |
| Cabinet | Black |
| US Electrical Safety | UL |
| Canadian Electrical Safety | ULC |
| Energy Usage/Year | 365.0kWh/year |
| Amps | 1.3 |
| Voltage/Frequency | 115 V AC/60 Hz |
| Weight | 100.0 lbs. |
| Shipping Weight | 109.0 lbs. |
| Parts & Labor Warranty | 1 Year |
| Compressor Warranty | 5 Years |
| Refrigerator-Freezer | |
| Door Swing | RHD |
| Reversible | Yes |
| Crisper Qty | 1 |
| Crisper Finish | Transparent |
| Crisper Cover | Glass |
| Refrigerator - Interior Height | 18.0" |
| Refrigerator - Interior Width | 21.0" |
| Refrigerator - Interior Depth | 18.0" |
| Refrigerator - Capacity | 4.5 cu.ft |
| Refrigerator - Shelf Type | Glass |
| Refrigerator - Shelf Qty | 2 |
| Refrigerator - Full Door Shelves | 3 |
| Freezer - Interior Height | 5.25" |
| Freezer - Interior Width | 19.0" |
| Freezer - Interior Depth | 11.5" |
| Freezer - Capacity | 0.6 cu.ft |
| Adjustable Shelves | Yes |

| | |
|------------------------|----------|
| Wine Bottle Shelving | Yes |
| Interior Light | Yes |
| Thermostat Type | Dial |
| Fan Type | Exterior |
| Refrigerant Type | R134a |
| Refrigerant Amount | 2.33 oz. |
| High Side PSI | 285.0 |
| Low Side PSI | 70.0 |
| Level Legs | 4 |
| Compressor Step Height | 5.5" |
| Compressor Step Width | 21.0" |
| Compressor Step Depth | 6.0" |



SUMMIT APPLIANCE DIVISION FELIX STORCH, INC.

770 Garrison Avenue, Bronx, NY 10474 USA TEL 718-893-3900 FAX 844-478-8799 info@summitappliance.com www.summitappliance.com