



FF590SSH



34.13" x 23.63" x 24.38" (H x W x D)

Frost-free all-refrigerator for built-in or freestanding use, with black cabinet and stainless steel door

Highlights:

Fully frost-free interior for low maintenance operation

Flexible design allows built-in or freestanding use in 24" wide spaces

Stainless steel wrapped door includes professional handle mounted horizontally for a modern look

5.7 cu.ft. interior includes removable glass shelves and door storage

Product Features:

| | |
|---------------------------------------|--|
| Frost-free operation | Eliminates the need to manually defrost the 5.7 cu.ft. interior |
| Built-in capable | Front-breathing design allows fully recessed installation under counters |
| Fully finished textured black cabinet | Allows the unit to be used freestanding |
| Stainless steel door | Professional finish offers durability and elegance |
| Professional horizontal handle | Sleek stainless steel handle is mounted horizontally for a modern look |
| Removable glass shelves | Spill-proof shelves allow convenient storage |
| Door storage | 3 door racks offer convenient storage |
| Reversible door | User reversible door swing for added placement flexibility |
| Adjustable thermostat | Front-located thermostat allows easy temperature management |



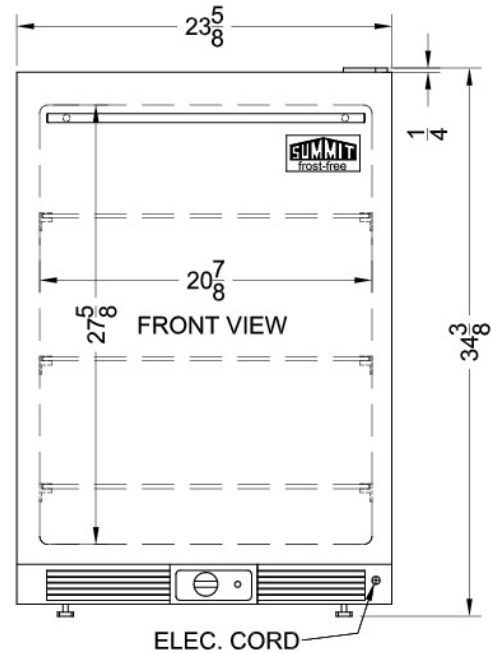
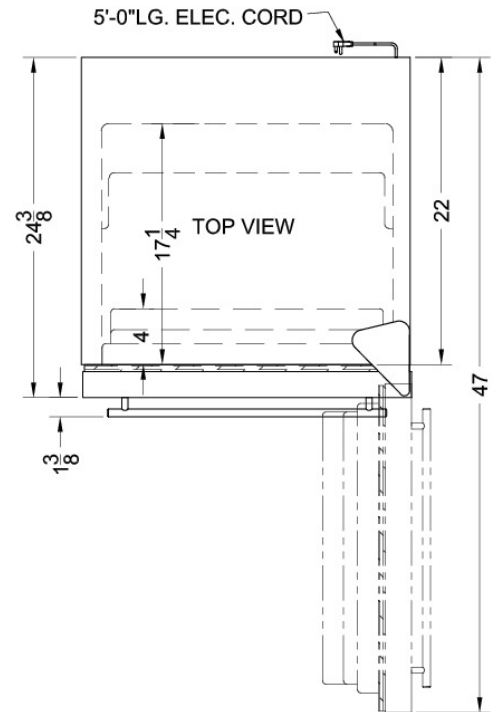
SUMMIT APPLIANCE DIVISION FELIX STORCH, INC.

770 Garrison Avenue, Bronx, NY 10474 USA TEL 718-893-3900 FAX 844-478-8799 info@summitappliance.com  www.summitappliance.com



FF590SSHH Specifications:

| Overview | |
|----------------------------|-----------------|
| Height to Cabinet | 34.13" |
| Height to Hinge Cap | 34.38" |
| Width | 23.63" |
| Depth | 24.38" |
| Depth with Handle | 25.5" |
| Depth with door at 90° | 47.0" |
| Capacity | 5.7 cu.ft. |
| Defrost Type | Frost-Free |
| Door | Stainless Steel |
| Cabinet | Black |
| US Electrical Safety | UL |
| Canadian Electrical Safety | ULC |
| Energy Usage/Year | 312.0kWh/year |
| Amps | 1.3 |
| Voltage/Frequency | 115 V AC/60 Hz |
| Shipping Weight | 100.0 lbs. |
| Parts & Labor Warranty | 1 Year |
| Compressor Warranty | 5 Years |
| Refrigerator Features | |
| Door Swing | RHD |
| Reversible | Yes |
| Shelf Type | Glass |
| Shelf Qty | 3 |
| Full Door Shelf Qty | 3 |
| Thermostat Type | Dial |
| Fan Type | Interior |
| Refrigerant Type | R134a |
| Refrigerant Amount | 3.5oz. |
| High Side PSI | 235.0 |
| Low Side PSI | 140.0 |
| Interior Light | Yes |
| Dimensions | |
| Interior Height | 27.63" |
| Interior Width | 21.0" |
| Interior Depth | 17.25" |



SUMMIT APPLIANCE DIVISION FELIX STORCH, INC.

770 Garrison Avenue, Bronx, NY 10474 USA TEL 718-893-3900 FAX 844-478-8799

info@summitappliance.com



www.summitappliance.com