



FF63BBI



33.25" x 23.63" x 23" (H x W x D)

Built-in undercounter all-refrigerator for residential use, auto defrost with black exterior

Highlights:

Flexible design allows built-in or freestanding use in 24" spaces

Deluxe interior with glass shelves, door storage, and a scalloped wine shelf

Automatic defrost ensures minimum user maintenance

Full 5.5 cu.ft. capacity inside a convenient 24" footprint

Product Features:

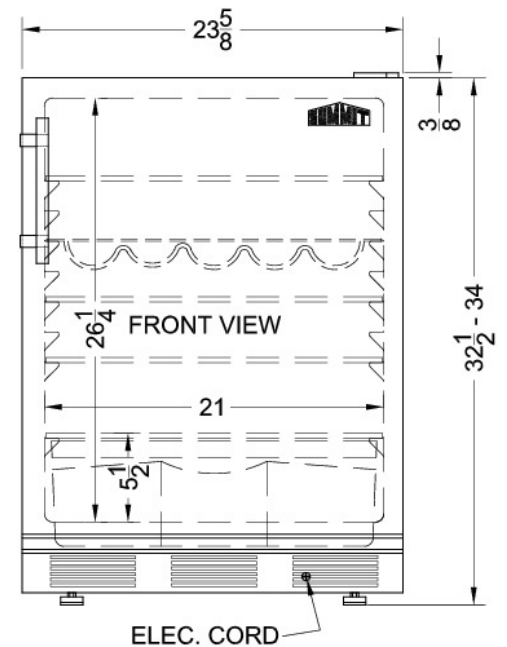
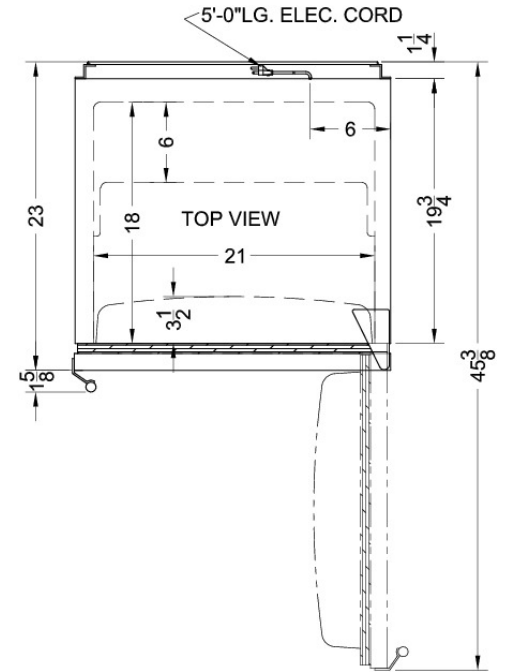
| | |
|------------------------------|---|
| Built-in capable | Make the best use of space by installing your appliance under the counter and flush with other cabinets |
| Slim undercounter dimensions | Our unique 24" wide models offer full capacity in a slim fit |
| Automatic defrost | Reduced maintenance with auto defrost system |
| Adjustable glass shelves | Rearrange your refrigerator space to accommodate all shapes and sizes or remove shelves for a simple clean-up |
| Door storage | Store tall bottles and condiments right on the door for convenient access |
| Wine shelf | Removable scalloped wine shelf is included to store champagne and wine bottles |
| Fruit and vegetable crisper | Get the longest life and best taste out of produce by storing it in a convenient slide drawer |
| One piece interior liner | Enjoy easy clean-up with a seamless liner that won't hold a mess in hidden crevices |
| Hidden evaporator | Cold wall design with hidden evaporator and seamless interior |



FF63BBI Specifications:

| Overview | |
|----------------------------|---------------|
| Height to Cabinet | 33.25" |
| Width | 23.63" |
| Depth | 23.0" |
| Depth with Handle | 24.63" |
| Depth with door at 90° | 45.38" |
| Capacity | 5.5 cu.ft. |
| Defrost Type | Automatic |
| Door | Black |
| Cabinet | Black |
| US Electrical Safety | UL |
| Canadian Electrical Safety | ULC |
| Energy Usage/Year | 307.0kWh/year |
| Amps | 1.0 |
| Weight | 100.0 lbs. |
| Shipping Weight | 110.0 lbs. |
| Parts & Labor Warranty | 1 Year |
| Compressor Warranty | 5 Years |
| Refrigerator Features | |
| Door Swing | RHD |
| Reversible | Yes |
| Crisper Qty | 1 |
| Crisper Finish | Opaque |
| Crisper Cover | Glass |
| Shelf Type | Glass |
| Shelf Qty | 3 |
| Full Door Shelf Qty | 3 |
| Adjustable Shelves | Yes |
| Wine Bottle Shelves | Yes |
| Thermostat Type | Dial |
| Fan Type | Exterior |
| Refrigerant Type | R134a |
| Refrigerant Amount | 1.7oz. |
| High Side PSI | 285.0 |
| Low Side PSI | 70.0 |
| Level Legs Qty | 4 |
| Interior Light | Yes |
| Dimensions | |
| Interior Height | 26.25" |

| | |
|------------------------|-------|
| Interior Width | 21.0" |
| Interior Depth | 18.0" |
| Compressor Step Height | 5.5" |
| Compressor Step Width | 21.0" |
| Compressor Step Depth | 6.0" |



SUMMIT APPLIANCE DIVISION FELIX STORCH, INC.

770 Garrison Avenue, Bronx, NY 10474 USA TEL 718-893-3900 FAX 844-478-8799 info@summitappliance.com www.summitappliance.com