



FF948SS



64.75" x 22" x 26" (H x W x D)

8.8 cu.ft. frost-free refrigerator-freezer with platinum cabinet and stainless steel doors

Highlights:

Unique 22" width is ideal for apartment and space-challenged kitchens while still offering nearly 9 cu.ft. of storage

True frost-free operation saves you maintenance by preventing icy buildup

Fully featured for convenient storage with a crisper, adjustable shelves, and more

Door shelves offer convenient storage solutions

Product Features:

Thin-line design	Limited space is no problem for our thin-line models, designed specifically for those hard-to-fit spots
Frost-free operation	No-frost convenience for reduced user maintenance
Adjustable glass shelves	Spill-proof shelves made from solid safety glass offer convenient and flexible storage in the refrigerator section
Full freezer shelf	Wire shelf included for storage convenience
Door storage	Refrigerator door includes four racks ideal for storing condiments and tall bottles. Freezer door includes one full and one half shelf
Clear crisper	Get the longest life and best taste out of produce by storing greens in a convenient slide drawer that tilts out for easy loading and unloading
Reversible stainless steel doors	User-reversible door swing for added flexibility
Interior light	Automatically illuminates when you open the refrigerator door
Platinum cabinet	Professional style offers the look of stainless steel



SUMMIT APPLIANCE DIVISION FELIX STORCH, INC.

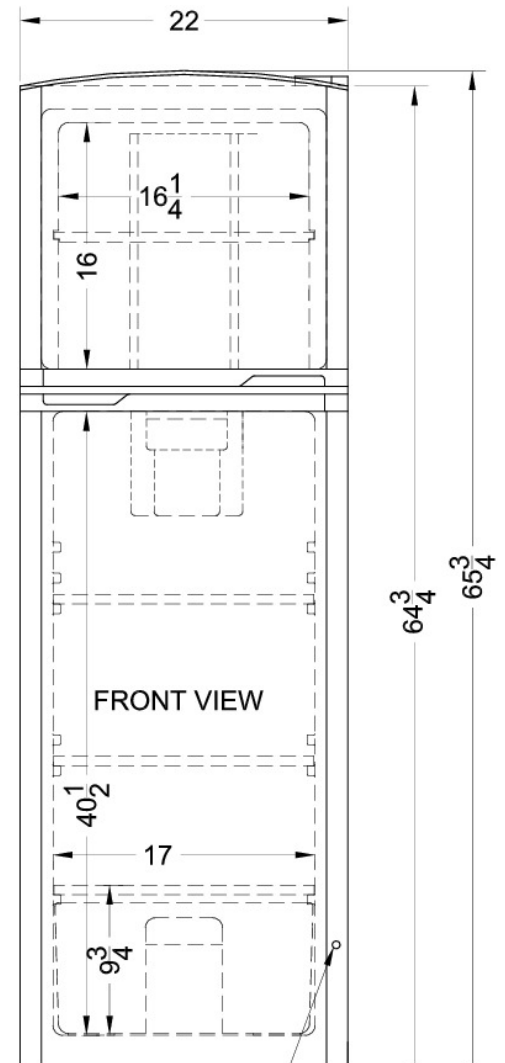
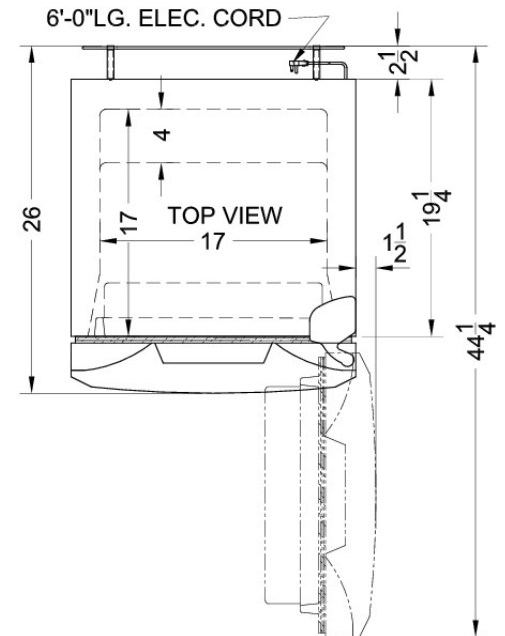
770 Garrison Avenue, Bronx, NY 10474 USA TEL 718-893-3900 FAX 844-478-8799 info@summitappliance.com  www.summitappliance.com



FF948SS Specifications:

Overview	
Height to Cabinet	64.75"
Height to Hinge Cap	65.75"
Width	22.0"
Width with Door Open	23.75"
Depth	26.0"
Depth with door at 90°	44.25"
Capacity	8.8 cu.ft.
Defrost Type	Frost-Free
Door	Stainless Steel
Cabinet	Platinum
US Electrical Safety	UL
Canadian Electrical Safety	ULC
Energy Usage/Year	316.0kWh/year
Amps	0.82
Voltage/Frequency	115 V AC/60 Hz
Shipping Weight	158.0 lbs.
Parts & Labor Warranty	1 Year
Compressor Warranty	5 Years
Refrigerator-Freezer	
Door Swing	RHD
Reversible	Yes
Crisper Qty	1
Crisper Finish	Transparent
Crisper Cover	Glass
Refrigerator - Interior Height	40.5"
Refrigerator - Interior Width	17.0"
Refrigerator - Interior Depth	17.0"
Refrigerator - Capacity	6.67 cu.ft
Refrigerator - Shelf Type	Glass
Refrigerator - Shelf Qty	2
Refrigerator - Full Door Shelves	4
Freezer - Interior Height	16.0"
Freezer - Interior Width	16.25"
Freezer - Interior Depth	13.25"
Freezer - Capacity	2.1 cu.ft

Freezer - Shelf Type	Wire
Freezer - Shelf Qty	1
Freezer - Full Door Shelves	1
Freezer - Half Door Shelves	1
Adjustable Shelves	Yes
Interior Light	Yes
Thermostat Type	Dial
Fan Type	Interior
Refrigerant Type	R134a
Refrigerant Amount	3.53 oz.
Level Legs	2
Compressor Step Height	9.75"
Compressor Step Width	17.0"
Compressor Step Depth	4.0"



SUMMIT APPLIANCE DIVISION FELIX STORCH, INC.

770 Garrison Avenue, Bronx, NY 10474 USA TEL 718-893-3900 FAX 844-478-8799 info@summitappliance.com www.summitappliance.com