



SCR1156



58.38" x 23.63" x 22.88" (H x W x D)

Commercial beverage merchandiser with 11 cu.ft. capacity, SS interior, self-closing door, and a digital thermostat

Highlights:

Commercially listed to NSF-7 standards for use in foodservice establishments

ENERGY STAR certified commercial refrigerator

Full display all the way down to the floor

Self-closing door is ideal for busy commercial settings

Product Features:

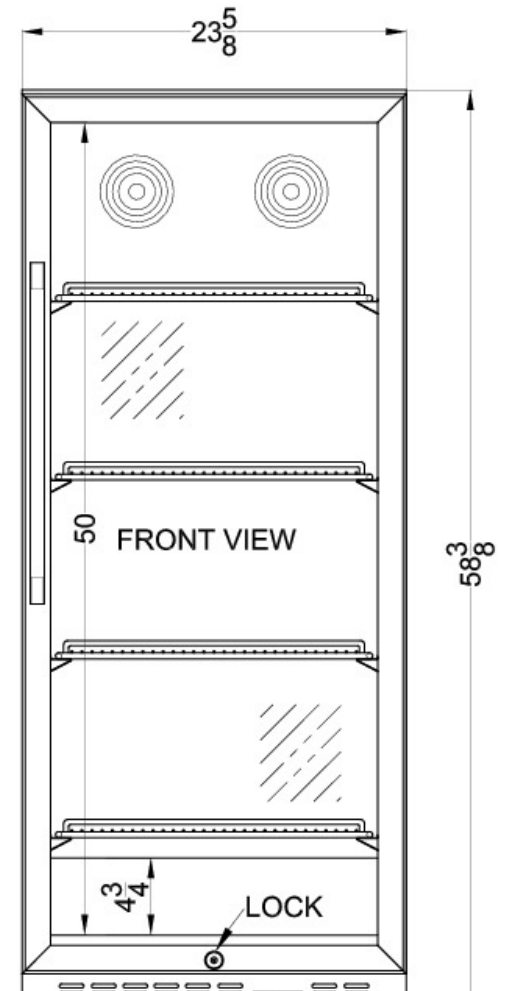
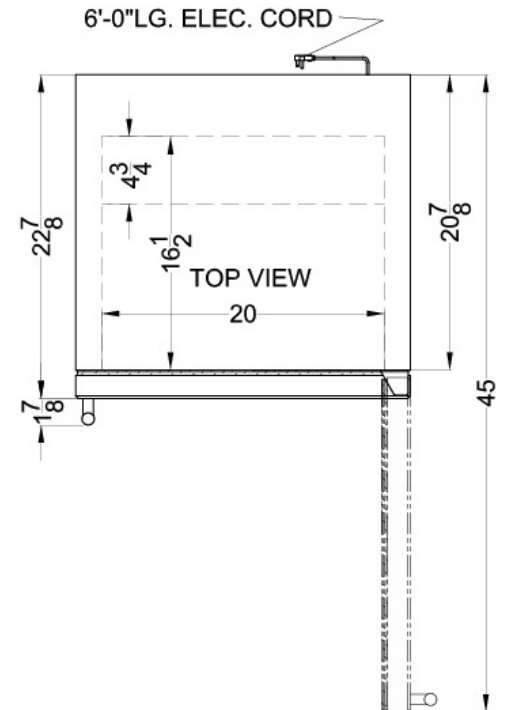
Commercially listed	ETL-S listed to NSF standards and approved to UL-471 electrical standard for commercial use
ENERGY STAR certified commercial performance	Meets ENERGY STAR standards as a commercial refrigerator
Factory installed lock	Keyed lock for secure interior
Double pane tempered glass door	Heat-safe glass door offers full display all the way down to the floor
Stainless steel interior	Walls are constructed from stainless steel for added strength and easy cleanup
Recessed LED lighting	Energy efficient lighting offers full view of interior
Self-closing door	Door will automatically close when left ajar, preventing items from accidentally being exposed to ambient temperatures
Digital thermostat	Electronic controls for precise temperature management with a readout in Celsius or Fahrenheit
Professional handle	Attractive and sturdy handle in brushed stainless steel



SCR1156 Specifications:

Overview	
Height to Cabinet	58.38"
Width	23.63"
Depth	22.88"
Depth with Handle	24.0"
Depth with door at 90°	45.0"
Capacity	11.0 cu.ft.
Defrost Type	Automatic
Door	Glass
Cabinet	Black
US Electrical Safety	ETL
Canadian Electrical Safety	ETL-C
Sanitation	ETL-S
Amps	1.7
Voltage/Frequency	115 V AC/60 Hz
Weight	141.0 lbs.
Shipping Weight	160.0 lbs.
Parts & Labor Warranty	1 Year
Compressor Warranty	5 Years
Refrigerator Features	
Door Swing	RHD
Reversible	No
Shelf Type	Chrome
Shelf Qty	4
Adjustable Shelves	Yes
Thermostat Type	Digital
Fan Type	Interior and Exterior
Refrigerant Type	R600a
Refrigerant Amount	1.66oz.
High Side PSI	270.0
Low Side PSI	105.0
Level Legs Qty	4
Interior Light	Yes
Dimensions	
Interior Height	50.0"
Interior Width	20.0"
Interior Depth	16.5"

Compressor Step Height	4.75"
Compressor Step Width	20.0"
Compressor Step Depth	4.75"



SUMMIT APPLIANCE DIVISION FELIX STORCH, INC.

770 Garrison Avenue, Bronx, NY 10474 USA TEL 718-893-3900 FAX 844-478-8799

info@summitappliance.com



www.summitappliance.com

ELEC. CORD